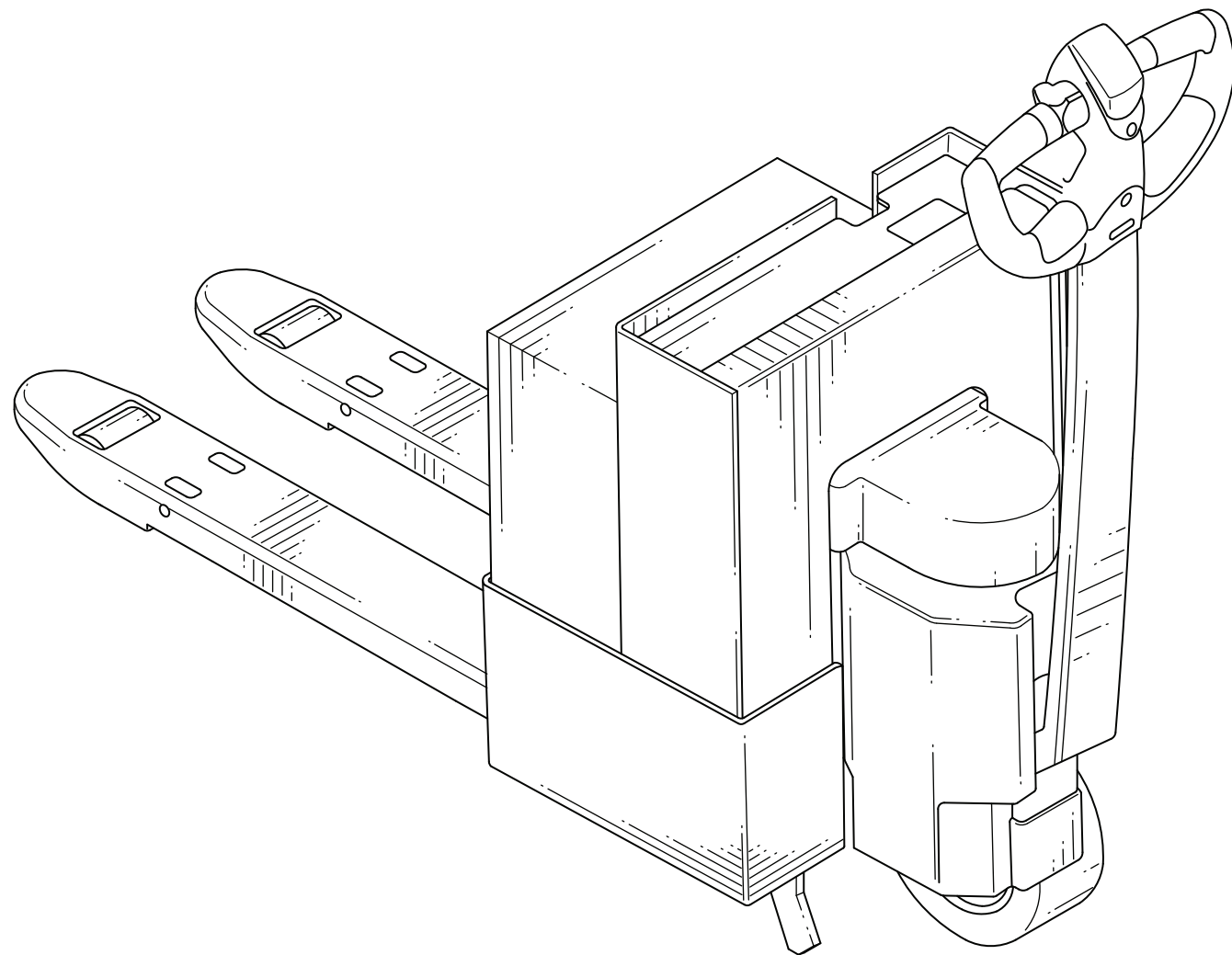


# Replacement Parts for Crown GPW Series



800-462-2370  
Fax 800-366-5939  
[www.SuperStoresService.com](http://www.SuperStoresService.com)

## Model Nomenclature

### Standard/Custom/Special

-- Standard; C - Custom; S - Special

#### Fork Spread

22 - 22 in. (560mm); 27 - 27 in. (685mm)

#### Fork Length

36 - 36 in. (915mm); 42 - 42 in. (1065mm); 48 - 48 in. (1220mm)

#### Frame

C - Caster; S - Skid Bar

#### Control

R - Resistor; T - Transistor

#### Battery Options

-- no batteries; SO - Swingout; MF - Maintenance Free

#### Drive Tire

P - Poly; R - Rubber

#### Meter Options

KE - No Meter Options  
 HM - Hour Meter  
 DM - Discharge Meter  
 HD - Hour/Discharge Meter

#### Cold Condition

C - Corrosion Condition  
 F - Freezer Condition  
 -- No Cold Condition

#### Load Backrest

48 - 48 in. (1220mm)  
 60 - 60 in. (1525mm)  
 -- No Backrest

— 27 48 C T -- P HD — 48

## Content

### Wheels

Quick Wheel Lookup	4
--------------------	---

### Electrical

Miscellaneous: Keys, Gauges, Horn	6
Batteries and Related Items	8
Contactor Panel - Resistor	10
Contactor Panel - Transistor (Curtis)	12

### Drive Unit

Drive Unit	14
Drive Motors	16

### Brake

Brakes	18
--------	----

### Control Assembly

Resistor Control Pod	20
Resistor Freezer Corrosion	22
Transistor Control Pod	23
Transistor Freezer Corrosion	26
Control Arm and Wiring Harness	28

### Hydraulic

Pump and Motor Assembly	30
Lift Cylinder Assembly	32

### Frame and Undercarriage

Riser Assembly	34
Lift Linkage	36
Entry Brackets/Rollers	38
Casters	40



**Quick Wheel Lookup**

**Quick Wheel Lookup**

OEM #	Wheel Type	Manuf.	Part #	Description	Wheel OD in/mm	Tread Width in/mm	Hub Width in/mm	Hub ID in/mm	Bearing OD in/mm	Bearing #	Material/ Color
CR 83970	Load Wheel	Generic	GW 9139	Poly Load Wheel-Single	3.250/83	4.500/115	4.500/115		2.440/62	6206Z	Scotch, 95-A
	Load Wheel	Superior	SU 9139	Poly Load Wheel-Single							Maroon,95-A
	Load Wheel	Superior	SU 9139-EZ	Poly Load Wheel-Single							Red, 85-A
	Load Wheel	Superior	SU 9139-XL	Poly Load Wheel-Single							Cream, 97-A
	Load Wheel	Falcon	FL 9139	Poly Load Wheel-Single							Burgundy, 90-A
	Load Wheel	Falcon	FL 9139-HL	Poly Load Wheel-Single							Yellow, 95-A
	Load Wheel	Falcon	FL 9139-ML	Poly Load Wheel-Single							Green, 97-A
CR 75715-010	Drive Tire	Superior	SU 10x4x6.5-SF-P	Poly Drive Tire-Smooth Flat	10.00/254	4.00/102		6.500/165			Maroon, 91-A
	Drive Tire	Superior	SU 10x4x6.5-SC-EZ	Poly Drive Tire-Smooth Crown							Red, 85-A
	Drive Tire	Superior	SU 10x4x6.5-SC-XL	Poly Drive Tire-Smooth Flat							Cream, 93-A
	Drive Tire	Falcon	TI 073	Poly Drive Tire-Smooth Flat							Burgundy, 90-A
CR 042028	Drive Tire	Superior	SU 10x4x6.5-SF-R	Rubber Drive Tire-Smooth Flat	10.00/254	4.00/102		6.500/165			Black
	Drive Tire	Falcon	RT 072000	Rubber Drive Tire-Smooth Flat							Black
CR 042031-002	Hub			Drive Wheel Hub							
CR 42666	Caster Assy		CR 42666	Standard							
CR 71894	Caster Wheel	Generic	GW 548-A	Incl. Bearings	4.00/102	2.00/51			1.187/30	BS 34178	Scotch, 95-A

**Electrical - Miscellaneous**

1 - OEM Ignition Switch, replacement key



2 - Generic Ignition Switch, replacement key



3 - Battery discharge indicator



4 - Hour meter



5 - Horn

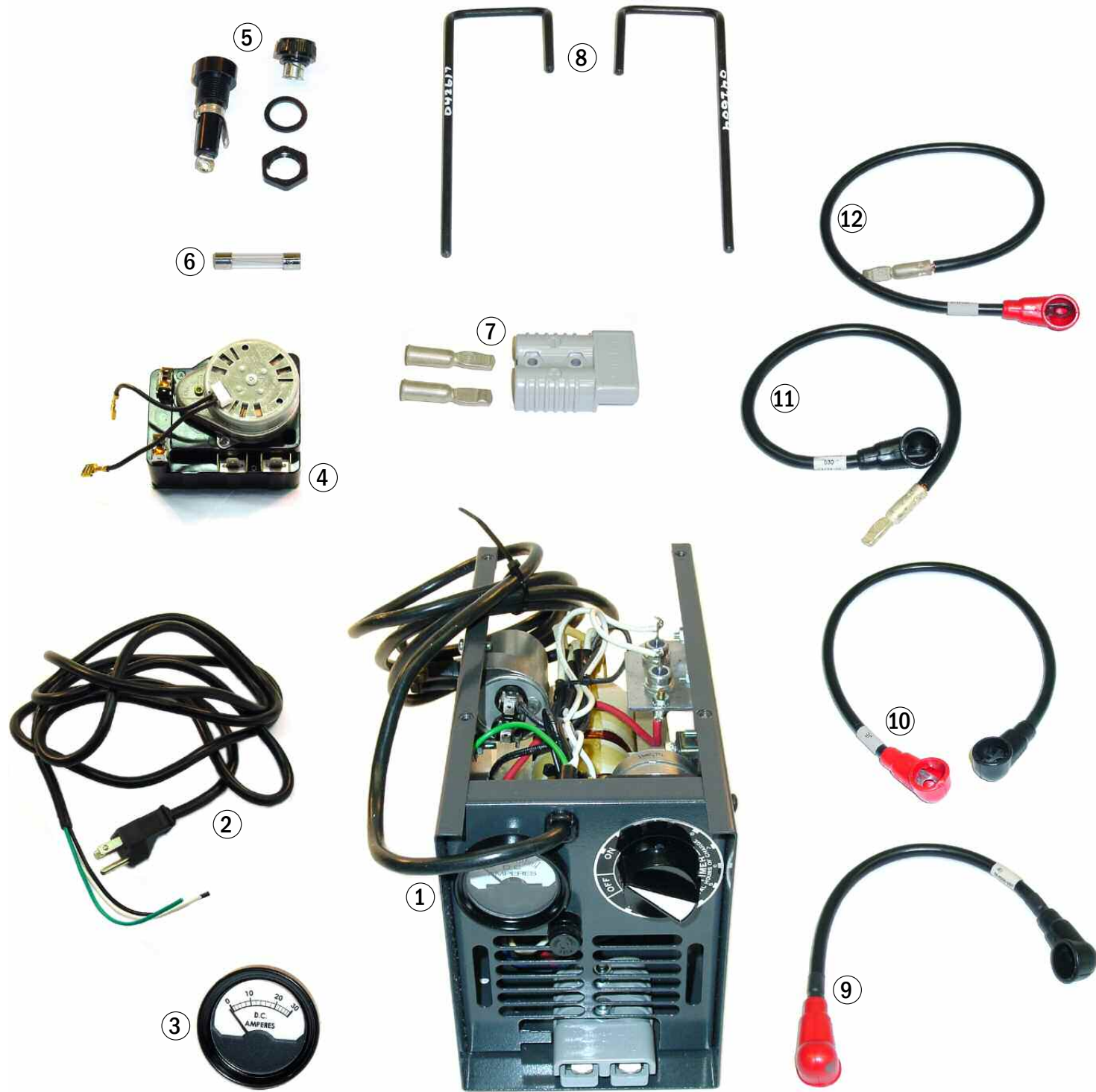


**Electrical - Miscellaneous**

Item	Part No.	Description	Application
1	CR 72708-OEM	Ignition switch	Original
	CR 107151-001-OEM	Replacement key	OEM molded key
	CR 107151-001-OEM-G	Replacement key	Non-molded, fits OEM ignition
2	CR 72708	Ignition switch	Generic
	CR 107151-001	Replacement key	Fits Generic Ignition
3	CR 106288	Battery discharge indicator	
4	CR 72733-003	Hour meter	
5	CR 78708-002	Horn	



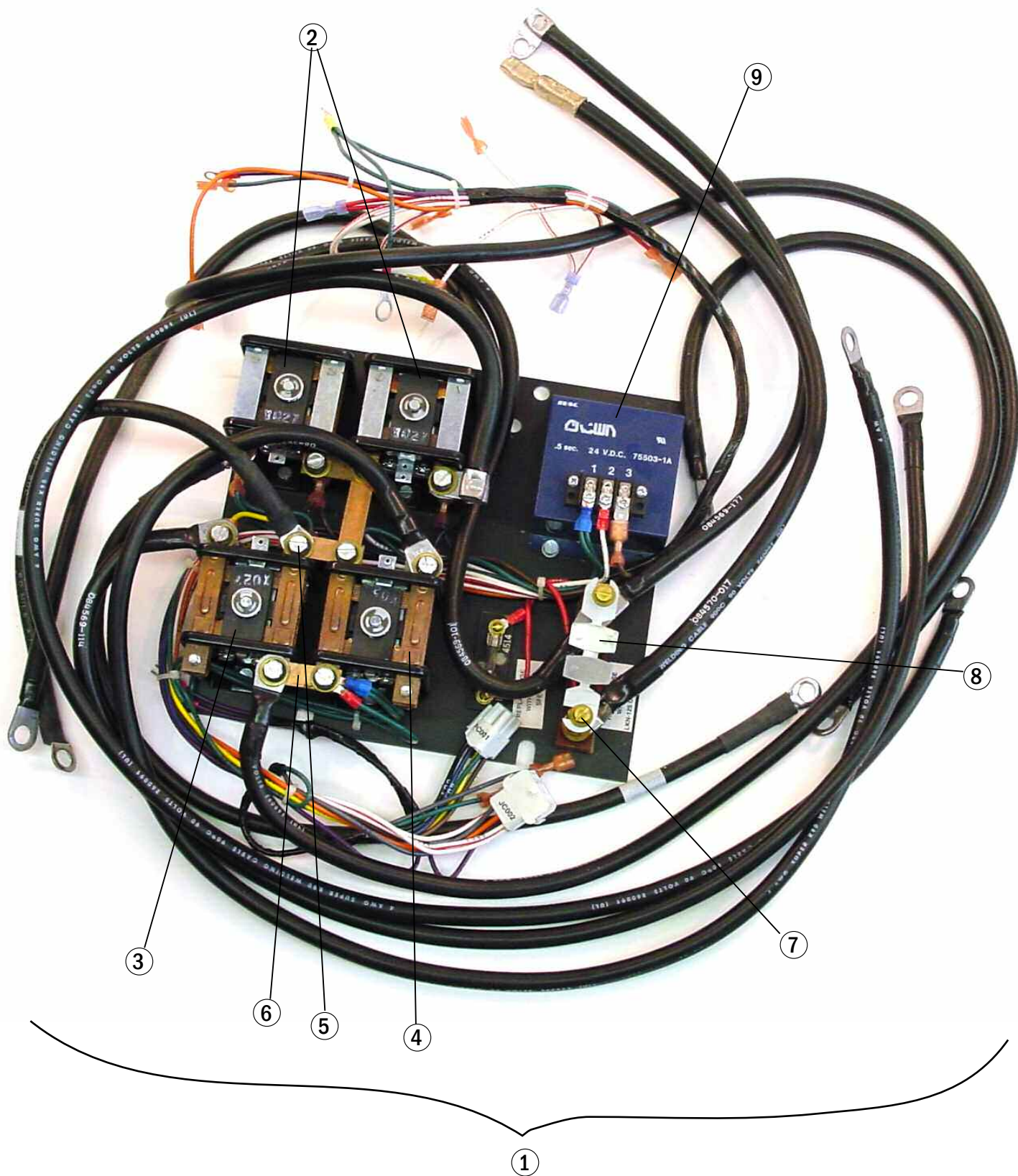
Electrical - Batteries and Related Items



Electrical - Batteries and Related Items

Item	Part No.	Description	Application
1	CR 109131-001	Battery charger	24V DC - 120V AC Input
	CR 109131-002	Battery charger	24V CD - 230V AC Input
2	CR 74233	Charger cord	120V
3	CR 092796	Ammeter	
4	CR 092797	Timer	120V
5	CR 109046	Fuse holder	
6	CR 090132	Fuse, 10 Amp.	
7	CR 078723-002	Connector housing	175 gray
	CR 078724-002	Contact, 175	
8	CR 42617	Pull latch, left	
	CR 42609	Pull latch, right	
9	CR 084569-007	Cable	
10	CR 084569-036	Cable	
11	CR 084569-030	Cable	
12	CR 084569-031	Cable	

### Electrical - Contactor Panel - Resistor

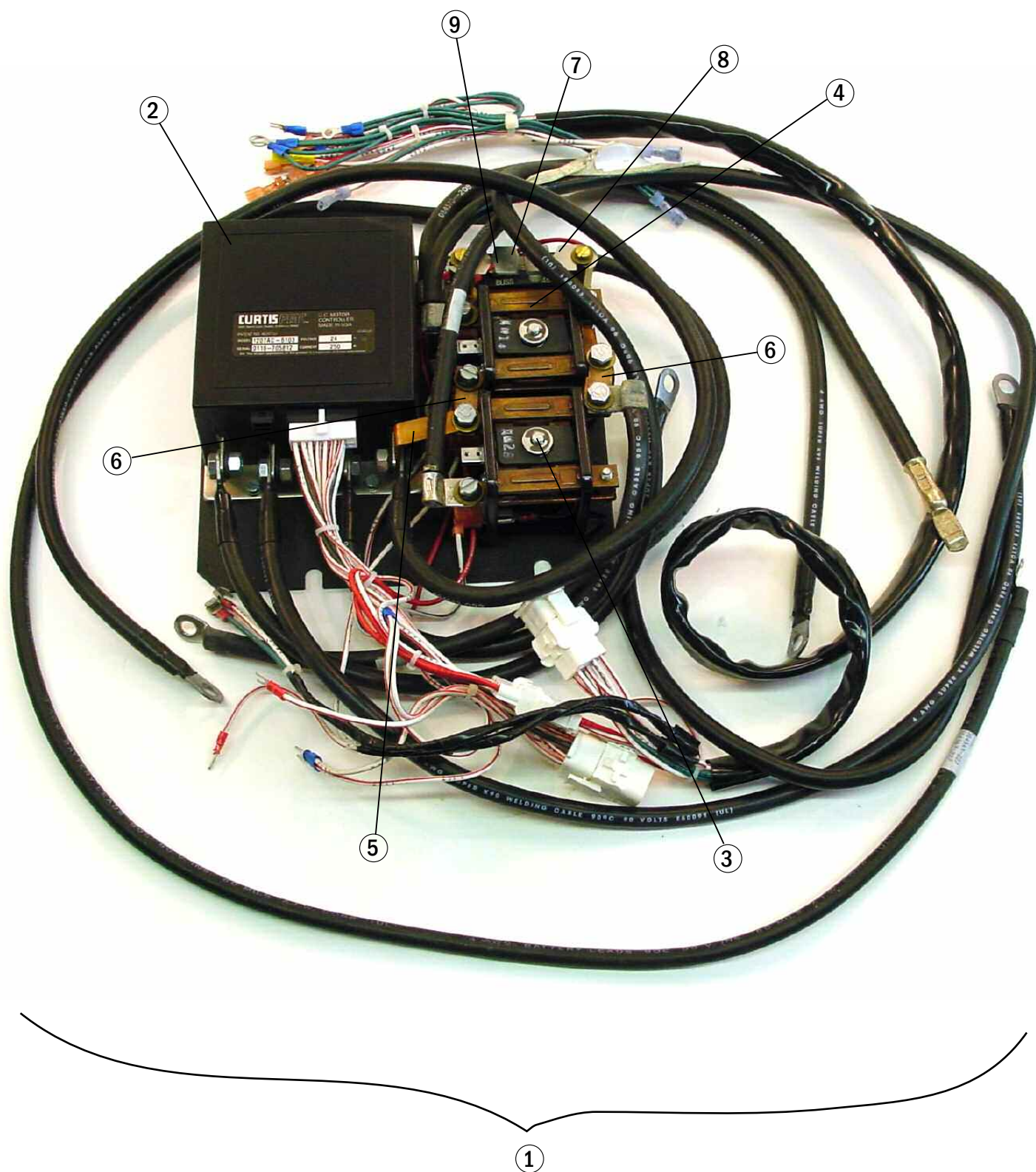


### Electrical - Contactor Panel - Resistor

Item	Part No.	Description	Application
1	CR 109910	Contacteur panel, assembly	complete w/wiring
2	CR 093576	Contacteur, 24V	2nd & 3rd speed
3	CR 093574	Contacteur	forward
4	CR 093575	Contacteur	reverse
5	CR 74241	Bus bar	
6	CR 76051	Bus bar	
7	CR 71902-002	Fuse	14 Amp
8	CR 076789	Fuse	125 Amp.
9	CR 75503-001	Time delay	.5 seconds
Not shown:			
	CR 105447	Contact tip kit	2nd & 3rd speed
	CR 105446	Contacteur tip kit	forward & reverse



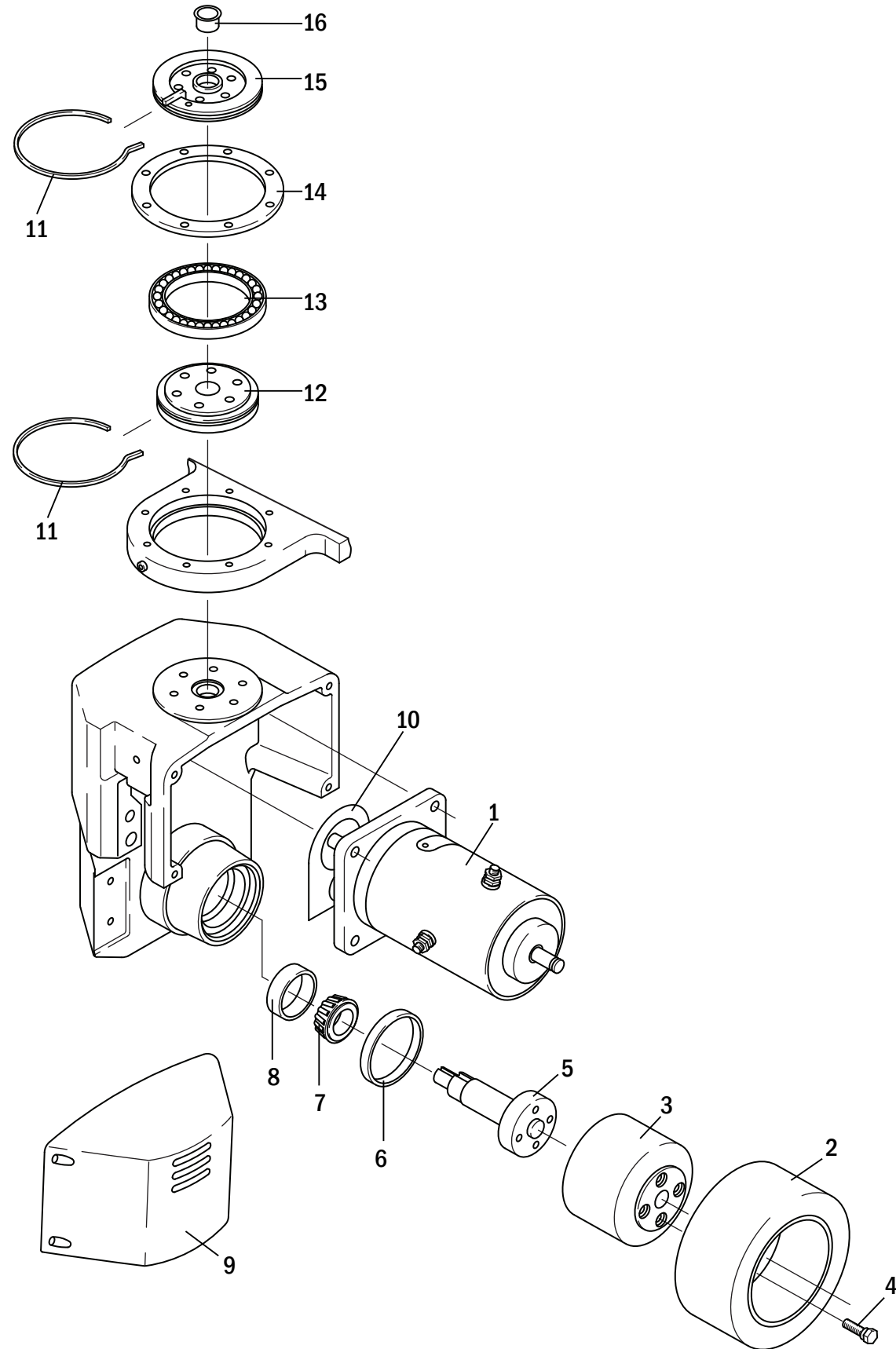
**Electrical - Contactor Panel - Transistor (Curtis)**



**Electrical - Contactor Panel - Transistor (Curtis)**

Item	Part No.	Description	Application
1	CR 116944	Contactorm panel - complete	Curtis, w/wiring
2	CR 119336-R	Curtis controller - rebuilt	24V, 250A
	CR 119336-C	Core deposit	
3	CR 093574	Contactorm	reverse
4	CR 093575	Contactorm	forward
5	CR 116853	Bus bar	
6	CR 76051	Bus bar	
7	CR 076789	Fuse	125 Amp
8	CR 116852	Bus bar	
9	CR 71902-002	Fuse	14 Amp
Not shown:			
	CR 105446	Contact tip kit	Forward & reverse

Drive Unit

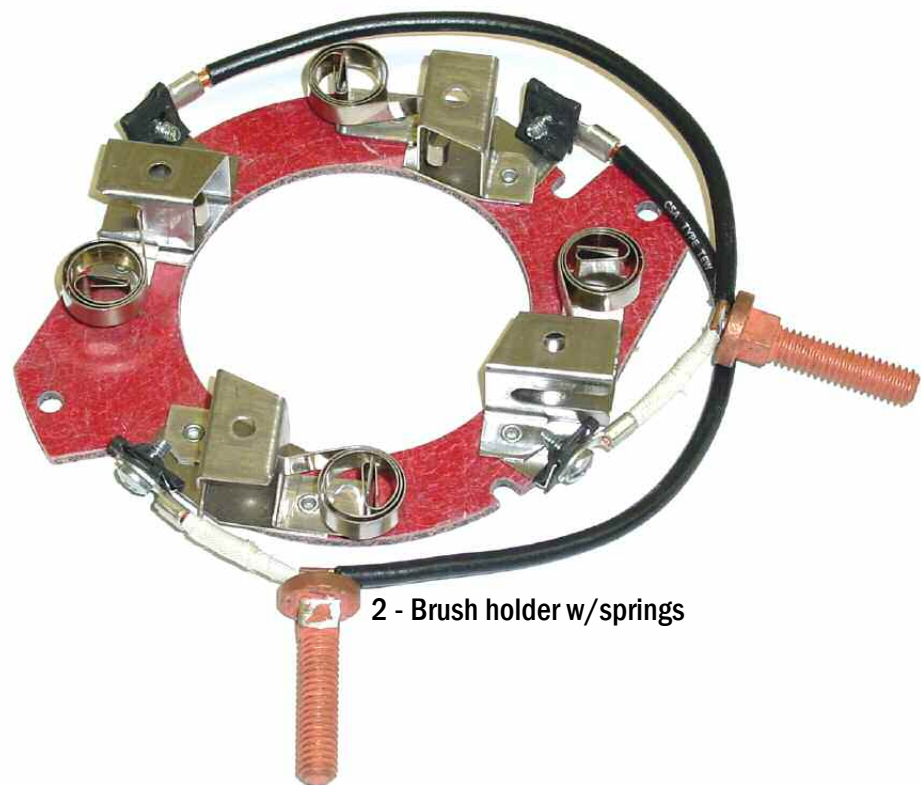


Drive Unit

Item	Part No.	Description	Application
1	See drive motor section for listing		
1	CR 75715	Poly drive tire	
	SU 10x4x6.5-SF-P	Poly drive tire	91-A, smooth flat
	SU 10x4x6.5-SC-EZ	Poly drive tire	85-A, smooth Crown
	CR 74458	Rubber drive tire	
	SU 13.5X5.5X8-SF-R	Rubber drive tire	Smooth, flat
3	CR 042031-002	Hub	
4	CR 078885-001	Lug bolt	
5	CR 107374	Axle	to S/N W95005
	CR 108339	Axle	from S/N W95006
6	CR 042024	Axle seal	
7	CR 042020	Bearing cone	
8	CR 042019	Bearing cup	
9	CR 042005	Brake cover	
10	CR 042007	Motor gasket	
11	CR 042025	Felt seal	
12	CR 042017	Lower mounting plate	
13	CR 042021	Bearing	
14	CR 108966	Bearing retainer	
15	CR 042044	Upper mounting plate	
16	CR 085689	Grommet	

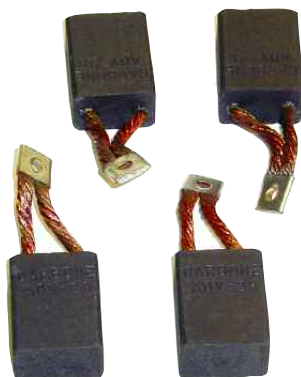


Drive Motors



2 - Brush holder w/springs

3 - Brush Set



1 - Drive Motor



Drive Motors

Item	Part No.	Description	Application
1	CR 42047	Drive motor, 24V	up to S/N W31350
2	CR 42267	Brush holder w/spring	
3	CR 87855	Brush set	set of 4
1	CR 42371	Drive motor, 24V	W31351 to 7A105498
2	CR 42267	Brush holder, w/springs	
3	CR 87855	Brush set	set of 4
1	CR 114462	Drive motor, 24V	from 7A106051
2	CR 114669	Brush holder, w/springs	
3	CR 114671	Brush set	set of 4
1	CR 118362	Drive motor	
2	CR 114669	Brush holder, w/springs	
3	CR 114671	Brush set	set of 4

**Brakes**



**Brakes**

Item	Part No.	Description	Application
1	CR 100403	Brake drum	
2	CR 50007-010	Bolt	
	CR 50010-015	Lockwasher	
3	CR 42049-002	Bushing	
4	CR 61008-001	Woodruff key	.19
5	CR 60016-002	Cap screw, hex head	
	CR 60005-008	Lockwasher	
6	CR 60038-006	Cotter pin	
7	CR 60030-012	Washer	
8	CR 101221	Brake lever	
9	CR 101261	Retaining clip	
10	CR 101223	Brake shoe	
11	CR 101222	Spring	



### Resistor Control Pod



### Resistor Control Pod

Item	Part No.	Description
1	CR 115331	Yoke
2	CR 089317	Pod
3	CR 115675	Grip
4	CR 060000-108	Roll pin
5	CR 093904-001	Cap button
6	CR 089324-001	Red body button
7	CR 088975	Bellow
8	CR 060032-035	Self tapping screw
9	CR 093068	Retainer
10	CR 080695	Spring
11	CR 060032-032	Self tapping screw
12	CR 060012-023	Screw #6
13	CR 073375	Switch
14	CR 089521	Bar
15	CR 092224	Split bushing
16	CR 060030-163	Flat washer
17	CR 089510	Bushing
18	CR 065003-017	Sleeving
19	CR 073371	Spring
20	CR 092586	Arm detent
21	CR 060000-075	Roll pin
22	CR 060032-037	Self tapping screw
23	CR 087144	Cover
24	CR 114003	Insulator
25	CR 116329	Extension
26	CR 089342	Spacer
27	CR 089362	Switch
28	CR 089336	Bracket
29	CR 060014-006	Screw #10
30	CR 060011-022	Screw #4
31	CR 089298-002	Rod
32	CR 060030-190	Flatwasher .03" thick
33	CR 089356	Cam
34	CR 089543	Cam
35	CR 089514	Plate
36	CR 088611-002	Collar
37	CR 089360	Torsion Spring

Item	Part No.	Description
38	CR 089350	Stop
39	CR 060011-027	Screw #4
40	CR 060011-021	Screw #4
41	CR 089362	Switch
42	CR 088753-001	Cover unit
43	CR 117267-002	Lower button
44	CR 117267-001	Raise button
45	CR 117267-003	Horn button
46	CR 117268	Switch 3rd speed
47	CR 073384	Spring



### Resistor - Freezer Corrosion



### Resistor - Freezer Corrosion

Item	Part No.	Description	Item	Part No.	Description
1	CR 115331	Yoke	38	CR 089543	Cam
2	CR 089317	Pod	39	CR 089514	Plate
3	CR 115675	Grip	40	CR 088611-002	Collar
4	CR 060000-108	Roll pin	41	CR 089360	Torsion spring
5	CR 093904-001	Cap button	42	CR 089350	Stop
6	CR 089324-001	Red button body	43	CR 101589	Switch, horn
7	CR 088975	Bellow	44	CR 078879	Switch, lower and raise
8	CR 060032-035	Self tapping screw	45	CR 102525-001	Cover
9	CR 093068	Retainer	46	CR 075585	Seal
10	CR 080695	Spring	47	CR 077635	Adaptor
11	CR 060032-032	Self tapping screw	48	CR 077633	Toggle switch
12	CR 060012-023	Screw #6			
13	CR 073375	Switch			
14	CR 93887	Bracket mounting			
15	CR 062033-013	Resistor			
16	CR 089521	Bar			
17	CR 092224	Split bushing			
18	CR 060030-163	Flat washer			
19	CR 089510	Bushing			
20	CR 073371	Spring			
21	CR 065003-017	Sleeving			
22	CR 092586	Arm detent			
23	CR 060000-075	Roll pin			
24	CR 060032-037	Self tapping screw			
25	CR 087144	Cover			
26	CR 114003	Insulator			
27	CR 116329	Extension			
28	CR 089342	Spacer			
29	CR 089362	Switch			
30	CR 089336	Bracket			
31	CR 060014-006	Screw #10			
32	CR 060011-022	Screw #4			
33	CR 089298-002	Rod			
34	CR 062033-013	Resistor, 24V			
35	CR 093492-001	Bracket			
36	CR 060030-190	Flatwasher .03" thick			
37	CR 089356	Cam			

For current prices call us at 800-462-2370 or log into your account at www.SuperStoresService.com

### Transistor Control Pod



### Transistor Control Pod

Item	Part No.	Description
1	CR 115331	Yoke
2	CR 089317	Pod
3	CR 115675	Grip
4	CR 060000-108	Roll pin
5	CR 093904-001	Cap button
6	CR 089324-001	Red body button
7	CR 088975	Bellows
8	CR 060032-035	Self tapping screw
9	CR 093068	Retainer
10	CR 080695	Spring
11	CR 060032-032	Self tapping screw
12	CR 060012-023	Screw #6
13	CR 073375	Switch
14	CR 089521	Bar
15	CR 092224	Split bushing
16	CR 060030-163	Flat washer
17	CR 089510	Bushing
18	CR 080275	Pinion
19	CR 060021-010	Nut
20	CR 089532	Bracket
21	CR 060005-010	Lockwasher
22	CR 076649-002	Insulator
23	CR 089529	Plate
24	CR 089549	Insulator
25	CR 079019	Potentiometer, Accelerate
26	CR 060000-075	Roll pin
27	CR 060032-037	Self tapping screw
28	CR 087144	Cover
29	CR 114003	Insulator
30	CR 116329	Extension
31	CR 089342	Spacer
32	CR 089362	Switch
33	CR 089336	Bracket
34	CR 060014-006	Screw #10
35	CR 060011-022	Screw #4
36	CR 089298-002	Rod
37	CR 060030-190	Flatwasher

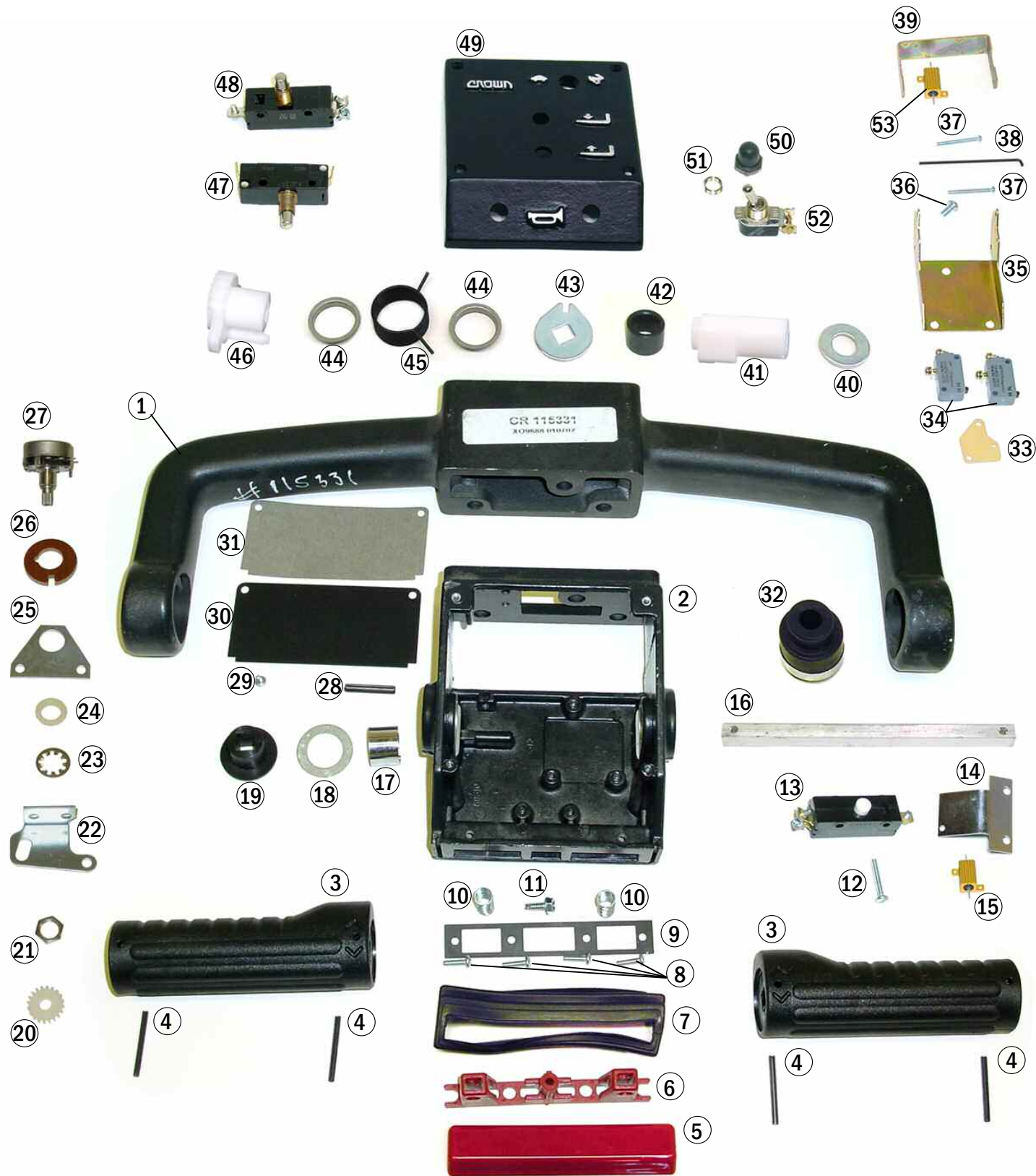
Item	Part No.	Description
38	CR 089356	Cam
39	CR 089548	Spacer
40	CR 089514	Plate
41	CR 088611-002	Collar
42	CR 089360	Torsion spring
43	CR 088611-002	Collar
44	CR 089350	Stop
45	CR 060011-027	Screw #4
46	CR 060011-021	Screw #4
47	CR 089362	Switch
48	CR 088753-001	Cover unit
49	CR 117267-002	Lower button
50	CR 117267-001	Raise button
51	CR 117267-003	Horn button
52	CR 117268	Switch 3rd speed
53	CR 073384	Spring

For current prices call us at 800-462-2370 or log into your account at www.SuperStoresService.com

All prices are F.O.B. shipping point and subject to change. All manufacturers' names, part numbers and descriptions are used for reference purposes only. We do not imply that any parts are the products of a particular manufacturer. Copyright © 2006 by GPS, Inc. All rights reserved.



### Transistor - Freezer Corrosion



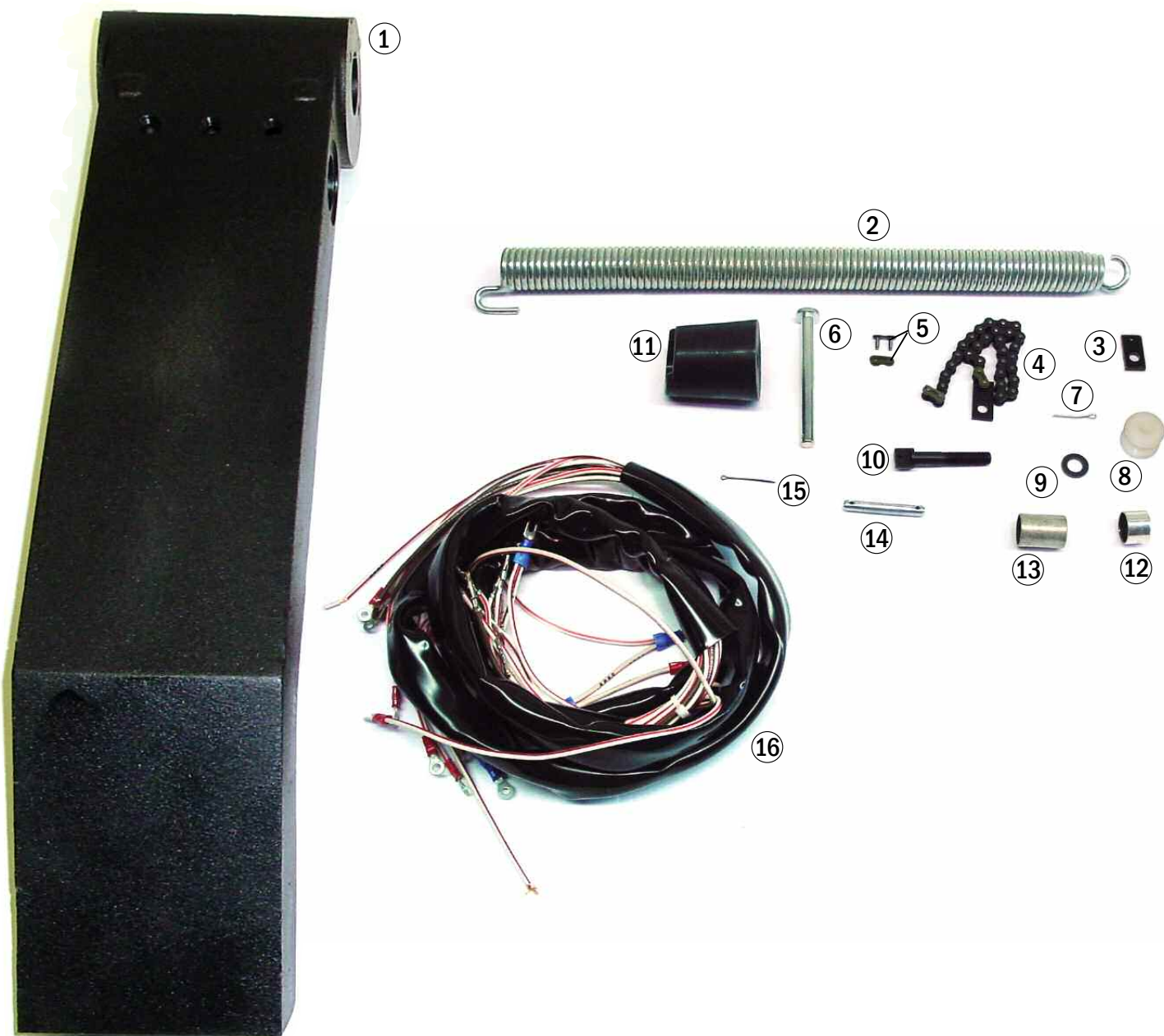
### Transistor - Freezer Corrosion

Item	Part No.	Description	Item	Part No.	Description
1	CR 115331	Yoke	39	CR 093492-001	Bracket
2	CR 089317	Pod	40	CR 060030-190	Flatwasher
3	CR 115675	Grip	41	CR 089356	Cam
4	CR 060000-108	Roll pin	42	CR 089548	Spacer
5	CR 093904-001	Cap button	43	CR 089514	Plate
6	CR 089324-001	Red button body	44	CR 088611-002	Collar
7	CR 088975	Bellow	45	CR 089360	Torsion spring
8	CR 060032-035	Self tapping screw	46	CR 089509	Stop
9	CR 093068	Retainer	47	CR 101589	Switch horn
10	CR 080695	Spring	48	CR 078879	Switch, lower and raise
11	CR 060032-032	Self tapping screw	49	CR 102525-001	Cover
12	CR 060012-023	Screw #6	50	CR 075585	Seal
13	CR 073375	Switch	51	CR 077635	Adaptor
14	CR 93887	Bracket mounting	52	CR 077633	Toggle switch
15	CR 062033-013	Resistor	53	CR 062033-013	Resistor
16	CR 089521	Bar			
17	CR 092224	Split bushing			
18	CR 060030-163	Flatwasher			
19	CR 089510	Bushing			
20	CR 080275	Pinion			
21	CR 060021-010	Nut			
22	CR 089532	Bracket			
23	CR 060005-010	Lockwasher			
24	CR 076649-002	Insulator			
25	CR 089529	Plate			
26	CR 089549	Insulator			
27	CR 079019	Potentiometer			
28	CR 060000-075	Roll pin			
29	CR 060032-037	Self tapping screw			
30	CR 087144	Cover			
31	CR 114003	Insulator			
32	CR 116329	Extension			
33	CR 089342	Spacer			
34	CR 118901	Switch			
35	CR 089336	Bracket			
36	CR 060014-006	Screw #10			
37	CR 060011-021	Screw #4			
38	CR 089298-002	Rod			

For current prices call us at 800-462-2370 or log into your account at www.SuperStoresService.com



### Control Arm and Wiring Harness



### Control Arm and Wiring Harness

Item	Part No.	Description	Application
1	CR 043222	Tiller arm	
2	CR 042548	Spring	
3	CR 042171	Link	
4	CR 042552	Chain	
5	CR 042553	Connecting link	
6	CR 043251	Pin	
7	CR 050001-004	Cotter pin	
8	CR 042173	Pully	
9	CR 050009-018	Flat washer	
10	CR 042054-002	Stud	
11	CR 042372	Poly stop	
12	CR 042053-001	Bushing	
13	CR 065007-082	Bushing	
14	CR 111401	Pin	
15	CR 050001-011	Cotter pin	
16	CR 116847	Wiring harness	

### Hydraulic - Pump and Motor Assembly



### Hydraulic - Pump and Motor Assembly

Item	Part No.	Description	Application
1	CR 116591	Pump and motor assembly	
2	CR 117492	Motor - Generic, 24V	
	CR 116835	Brush holder	OEM motor
	CR 103255	Brush spring	OEM motor
	CR 116832	Brush set	OEM motor
3	CR 84339	Check valve	
4	CR 084343	Starter switch	
5	CR 84344-001	Solenoid cartridge	Valve - 3way, 24V
6	CR 064013-001	Breather elbow	
7	CR 070550	Breather	
8	CR 064162-42	Hose	
9	CR 64061-002	Elbow fitting, 90°	
10	CR 117080	Relief valve Kit	
11	CR 084316	O-Ring	
12	CR 094544	Pump assembly	

### Hydraulic - Lift Cylinder Assembly

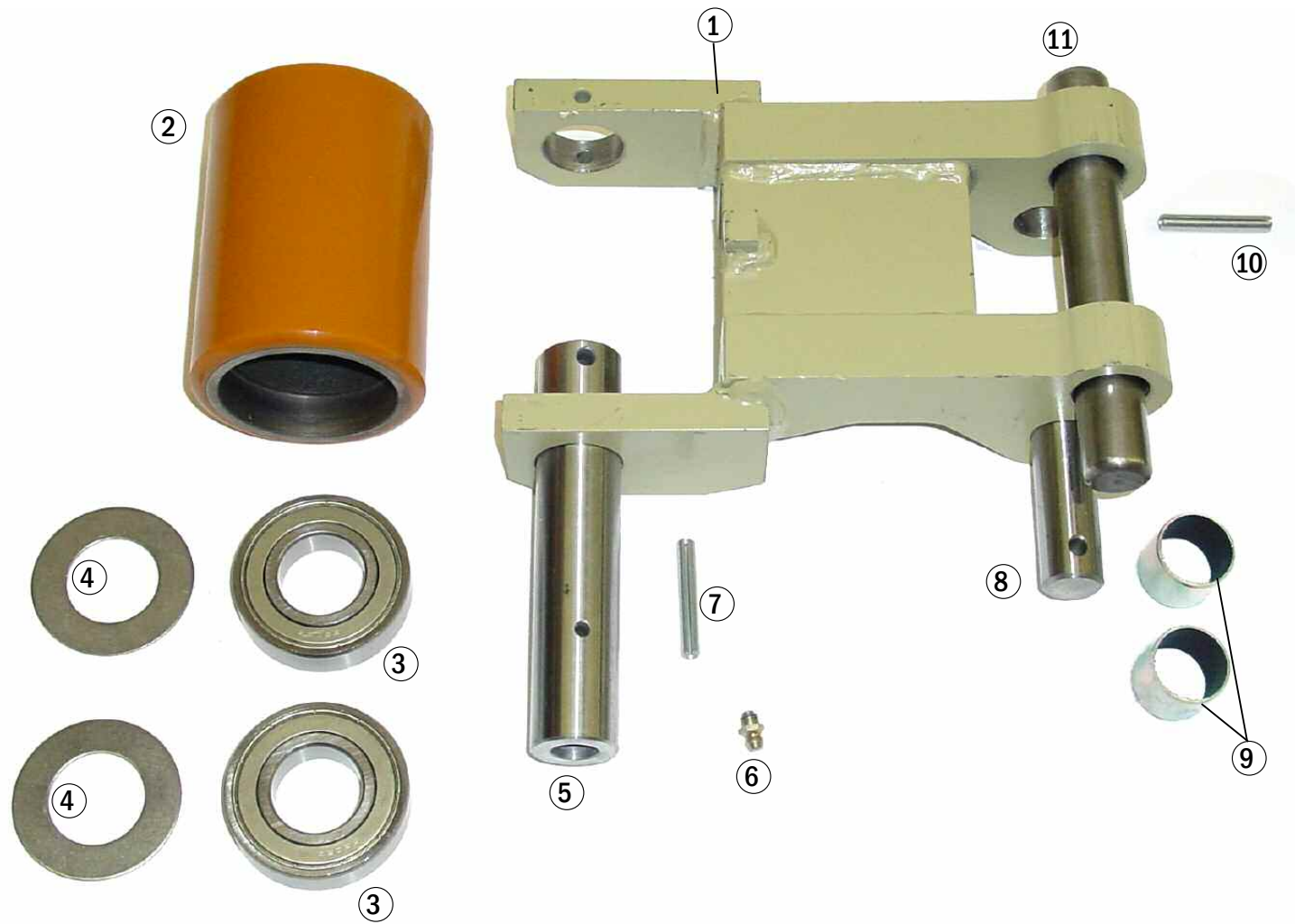


### Hydraulic - Lift Cylinder Assembly

Item	Part No.	Description	Application
1	CR 42147	Cylinder assembly	
2	CR 42249	Seal kit	



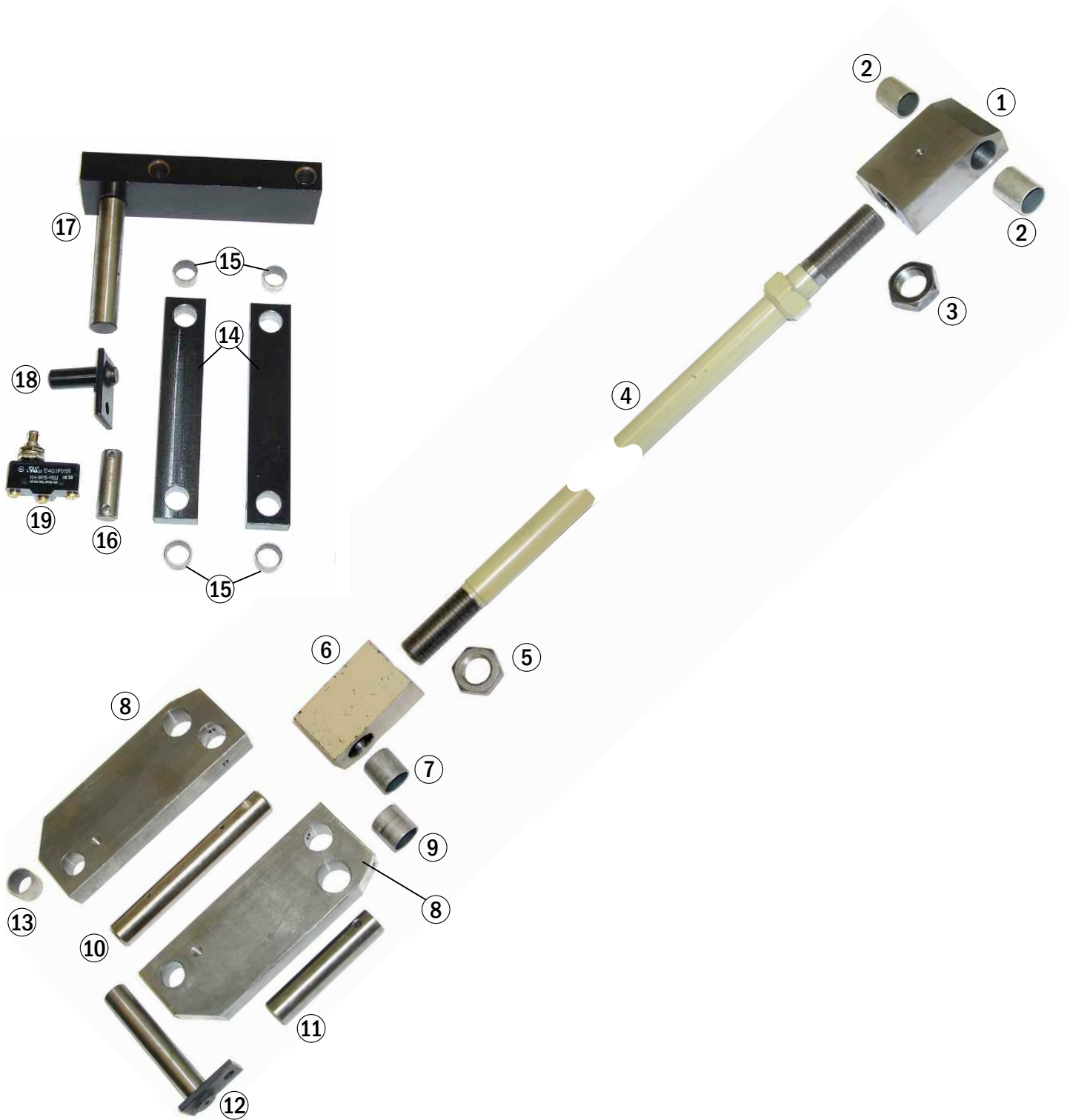
### Frame & Undercarriage - Riser Assembly



### Frame & Undercarriage - Riser Assembly

Item	Part No.	Description	Application
1	CR 42198	Riser	
2	CR 083970	Load wheel	
	GW 9139	Poly load wheel	Scotch 95-A
	GW 9139-A	Poly load wheel assembly	incl. bearings
(for a complete list of wheel options please refer to page 4-5)			
3	CR 065081-025	Bearing	6206Z, 30mm
4	CR 084082	Spacer	
5	CR 042203	Axle	
	CR 042519	Axle	Freezer/corrosion
6	CR 054011-006	Lube fitting	
7	CR 050000-026	Roll pin	
8	CR 042213	Shaft	
	CR 042521	Shaft	Freezer/corrosion
9	CR 042053-004	Bushing	
10	CR 050000-026	Roll pin	
11	CR 042214	Shaft	

### Frame & Undercarriage - Lift Linkage



### Frame & Undercarriage - Lift Linkage

Item	Part No.	Description	Application
1	CR 042139	Tension bar end	
2	CR 042053-009	Bushing	
3	CR 042132	Hex nut - right hand	
4	CR 042135-007	Tension bar 24" (610mm)	single wheel, 36" forks
	CR 042135-008	Tension bar 30.25" (770mm)	single wheel, 42" forks
	CR 042135-010	Tension bar 36" (915mm)	single wheel, 48" forks
5	CR 042138	Hex nut - left hand	
6	CR 042140	Tension bar end	
7	CR 042053-008	Bushing	
8	CR 042189-002	Link	left or right
	CR 042189-001	Link	left or right
9	CR 042053-008	Bushing	
10	CR 042190	Shaft	
	CR 042516	Shaft	Freezer/corrosion
11	CR 042215	Shaft	
	CR 042523	Shaft	Freezer/corrosion
12	CR 042192	Shaft	
	CR 042517	Shaft	Freezer/corrosion
13	CR 042053-003	Bushing	
14	CR 043248	Link	left or right
	CR 042184-001	Link	left or right
15	CR 042053-007	Bushing	
16	CR 042183	Shaft	left or right
	CR 042513	Shaft	Freezer/corrosion
17	CR 043350	Shaft	
	CR 043521	Shaft	Freezer/corrosion
18	CR 042185	Shaft	
	CR 042514	Shaft	Freezer/corrosion
19	CR 077656	Limit switch	

### Frame & Undercarriage - Entry Brackets/Rollers



### Frame & Undercarriage - Entry Brackets/Rollers

Item	Part No.	Description	Application
1	CR 042237	Wheel bracket	
2	CR 080192	Roller	
3	CR 080191	Axle	
4	CR 060038-006	Cotter pin	
5	CR 060030-049	Flat washer	



### Frame & Undercarriage - Casters



### Frame & Undercarriage - Casters

Item	Part No.	Description	Application
1	CR 071894	Wheel assembly	incl. bearings
2	CR 042681	Axle	
	CR 042886	Axle	Freezer/corrosion
3	CR 073894	Roller bearing	
4	CR 073893	Bearing seal	
5	CR 060030-013	Flat washer	



**800-462-2370**

Fax 800-366-5939

[www.SuperStoresService.com](http://www.SuperStoresService.com)

**800-462-2370**

Fax 800-366-5939

[www.SuperStoresService.com](http://www.SuperStoresService.com)





**800-462-2370**  
**Fax 800-366-5939**

**[www.SuperStoresService.com](http://www.SuperStoresService.com)**