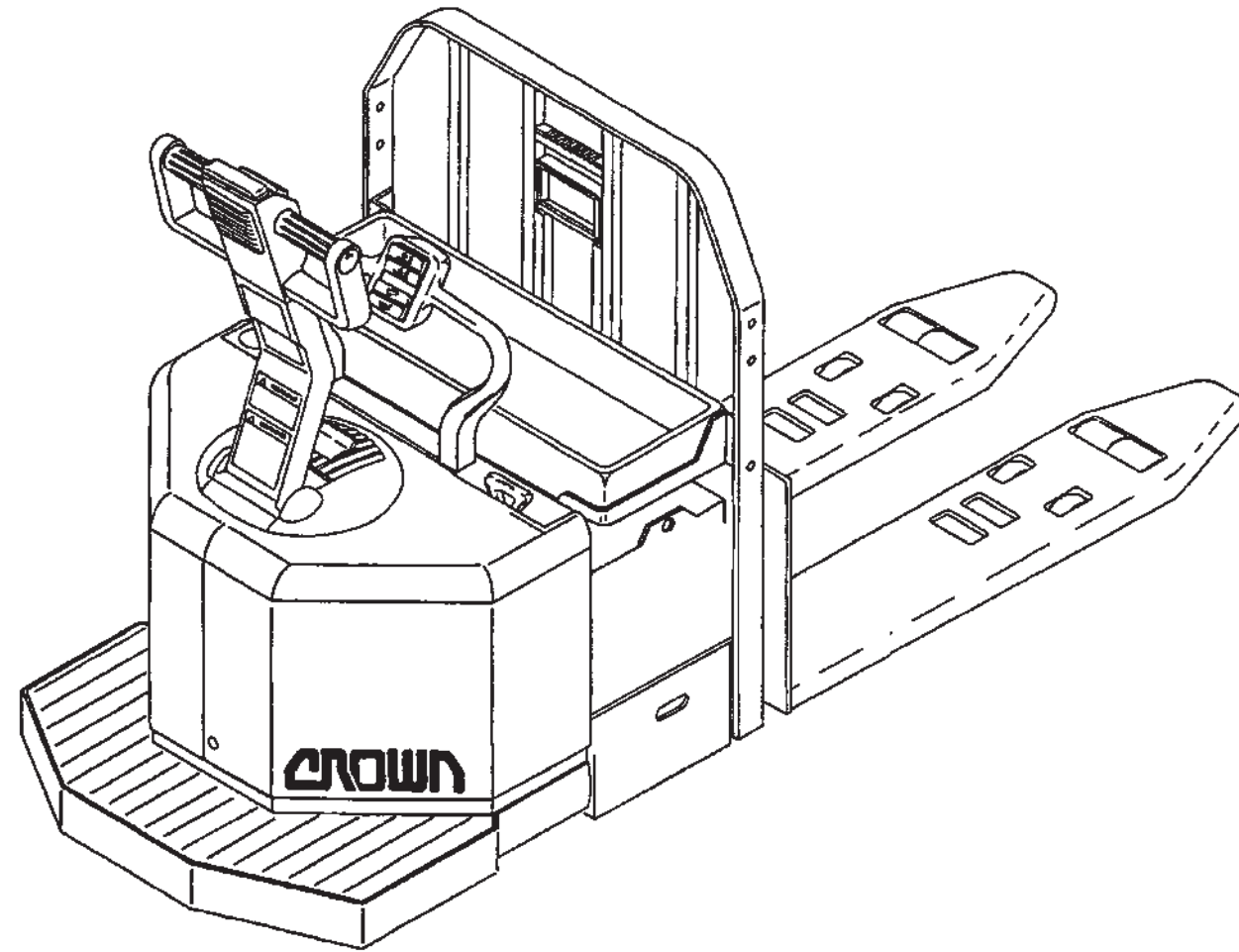


Replacement Parts for Crown PE 3000 Series



Truck Data Nomenclature

Standard/Special Truck

- = Standard, S = Special, C = Custom

Fork Width

Fork Length

Fork Tip

- = Standard, T = Tandem, E=Extended

Battery Compartment

N = Narrow 6.69" or 7.94" (170 or 200mm), W = Wide 13.19" (335mm)

Axle

- = Single, T = Tandem

Freezer/Corrosion

- = Without Conditioning, F = Freezer Condition, C = Corrosion Condition

Control

- = Resistor, C = Curtis Transistor, S = Sevcon Transistor

Casters

- = Standard, A = Quick Adjustment,

T = Quick Adjustment w/Torsion Bar

Drive Tires

RU = Rubber, Black-Lugged	CP = Poly, Cream-Smooth
SR = Rubber, Black-Siped	** = Special
WR = Rubber, White-Lugged	AP = 5.5" Wide Poly
LR = Rubber, Fiberglass	DP = Diamond Siped Poly
	impregnated
PO = Poly, Black-Smooth	HP = High Crown Poly
SP = Poly, Black-Siped	RP = Razor Siped Poly
GP = Poly, Black-Grooved	RL = Lugged Rubber
	RS = Smooth Rubber

- 27 48 E W S - C T RU BD - A - R C

Meter Options

DM = Discharge Volt Meter	HD = Hour & Discharge Volt Meter
KE = Key Only	BD = Unigage (Integral Hour, Volt & Battery Interrupt)
HM = Hour Meter	

Internal Hour Meter

- = Without Meter, I = Internal Hour Meter

Travel Alarm

- = Without Travel Alarm, A = Travel Alarm

Key/Toggle Switch

- = Key Switch, T = Toggle Switch

Battery Rollout

- = Without Battery Rollout, R = Battery Rollout, I = Battery Rollout & Battery Retainer Switches

Storage Compartment

- = Without Storage, B= Storage Mounted on Load Backrest, C = Storage Mounted on Battery Cover

Contents

Wheels

Quick Wheel Lookup	4
--------------------	---

Electrical

Miscellaneous: Keys, Gauges, Connectors, Horn	6
Contactor Panel - Resistor (to S/N 132473)	8
Contactor Panel - Resistor (S/N 132473 and up)	10
Contactor Panel - Transistor (Curtis)	12
Contactor Panel - Transistor (Sevcon)	14

Drive Unit/Brakes

Drive Unit Assembly	16
Drive Motor	18
Brakes	20

Handle/Control Assembly

Control Pod	
Resistor	22
Resistor - Quickpick	24
Resistor - Freezer Corrosion	26
Resistor - Quickpick and Freezer Corrosion	28
Transistor	30
Transistor - Quickpick	32
Transistor - Freezer Corrosion	34
Transistor - Quickpick and Freezer Corrosion	36
Handle Control Arm and Wiring Harness	38
Grab Bar and Mat	40

Hydraulic

Power Unit	42
Lift Cylinder	44

Frame and Undercarriage

Riser Assembly 9" and 10" Forks	
Single Wheel	46
Dual Wheels	48
Tandem Wheels	50
Riser Assembly 7" Forks - Tandem Wheels	52
Rear Lift Linkage	54
Tension Bars	56
Entry Bracket/Rollers	57
Casters - Standard	60
Casters - Quick Adjustment	62

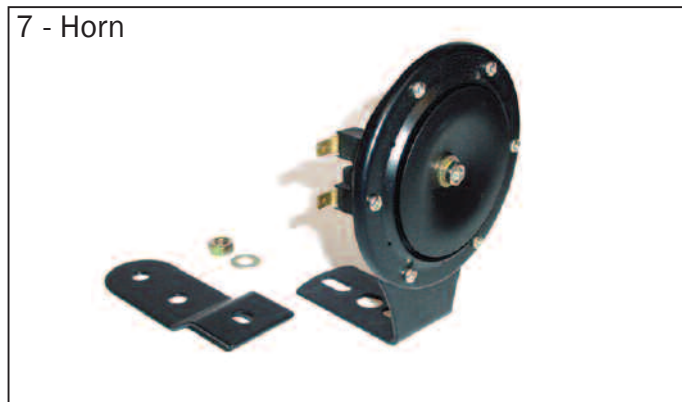
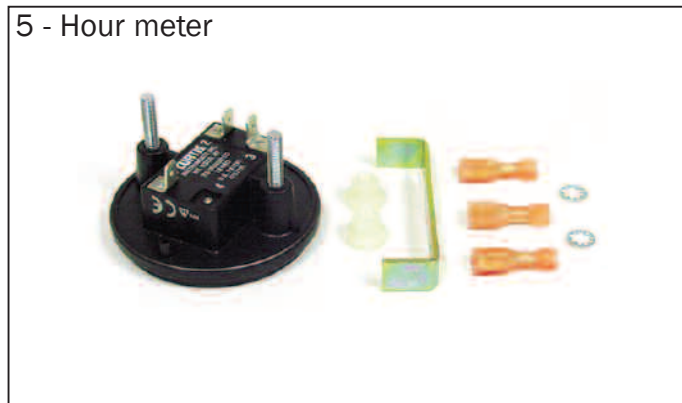
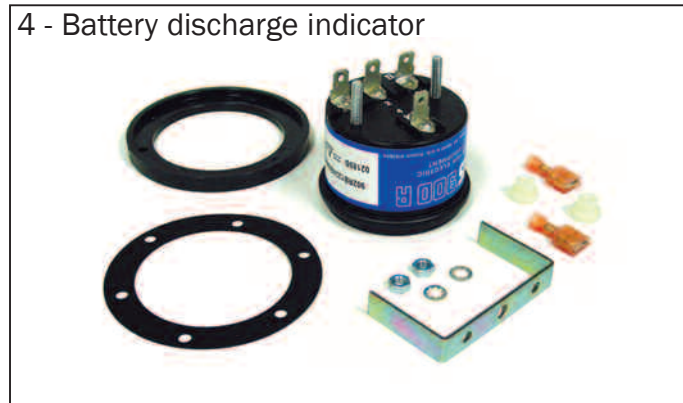
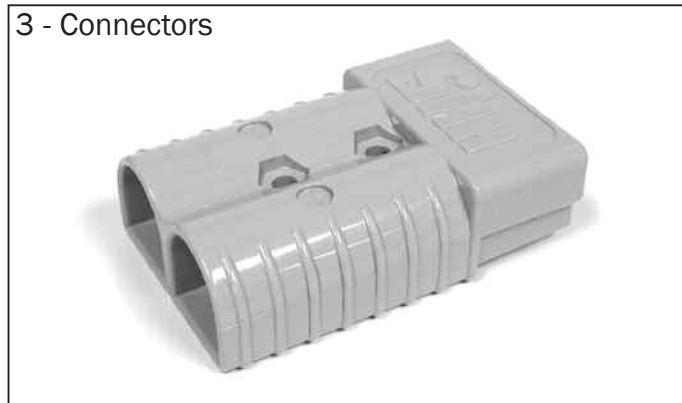
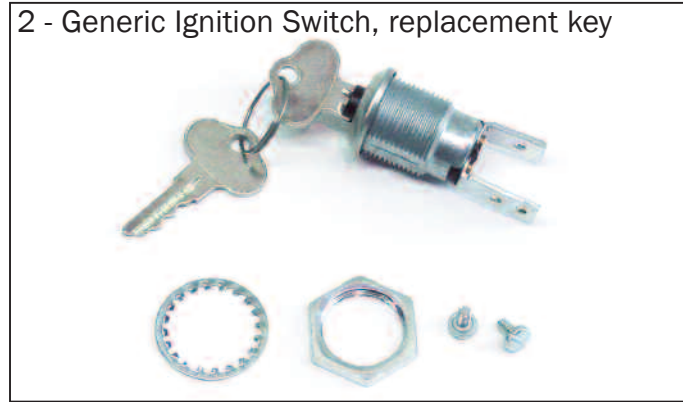


Quick Wheel Lookup

Quick Wheel Lookup

OEM #	Wheel Type	Manuf.	Part #	Description	Wheel OD in/mm	Tread Width in/mm	Hub Width in/mm	Hub ID in/mm	Bearing OD in/mm	Bearing #	Material/ Color
CR 100462	Load Wheel	Generic	GW 9141	Poly Load Wheel-Single	3.250 / 83	6.500 / 165	6.500 / 165		2.047 / 52	6205Z (4)	Scotch, 95-A
	Load Wheel	Superior	SU 9141	Poly Load Wheel-Single							Maroon, 95-A
	Load Wheel	Superior	SU 9141-EZ	Poly Load Wheel-Single							Red, 85-A
	Load Wheel	Superior	SU 9141-XL	Poly Load Wheel-Single							Cream, 97-A
	Load Wheel	Falcon	FL 9136	Poly Load Wheel-Single							Burgundy, 90-A
	Load Wheel	Falcon	FL 9136-HL	Poly Load Wheel-Single							Yellow, 95-A
	Load Wheel	Falcon	FL 9136-ML	Poly Load Wheel-Single							Green, 97-A
CR 77084	Load Wheel	Generic	GW 9133	Poly Load Wheel-Dual	3.250 / 83	3.250 / 83	3.250 / 83		2.047 / 52	6205Z	Scotch, 95-A
	Load Wheel	Superior	SU 9133	Poly Load Wheel-Dual							Maroon, 95-A
	Load Wheel	Superior	SU 9133-EZ	Poly Load Wheel-Dual							Red, 85-A
	Load Wheel	Superior	SU 9133-XL	Poly Load Wheel-Dual							Cream, 97-A
	Load Wheel	Falcon	FL 9133	Poly Load Wheel-Dual							Burgundy, 90-A
	Load Wheel	Falcon	FL 9133-HL	Poly Load Wheel-Dual							Yellow, 95-A
	Load Wheel	Falcon	FL 9133-ML	Poly Load Wheel-Dual							Green, 97-A
CR 77086	Load Wheel	Generic	GW 9135	Poly Load Wheel-Tandem	3.250 / 83	5.000 / 127	5.000 / 127		2.047 / 52	6205Z	Scotch, 95-A
	Load Wheel	Superior	SU 9135	Poly Load Wheel-Tandem							Maroon, 95-A
	Load Wheel	Superior	SU 9135-EZ	Poly Load Wheel-Tandem							Red, 85-A
	Load Wheel	Superior	SU 9135-XL	Poly Load Wheel-Tandem							Cream, 97-A
	Load Wheel	Falcon	FL 9135	Poly Load Wheel-Tandem							Burgundy, 90-A
	Load Wheel	Falcon	FL 9135-HL	Poly Load Wheel-Tandem							Yellow, 95-A
	Load Wheel	Falcon	FL 9135-ML	Poly Load Wheel-Tandem							Green, 97-A
CR 79494	Drive Tire	Superior	SU 13x4.5x8-SF-P	Poly Drive Tire-Smooth Flat	13 / 330	4.50 / 114		8.00 / 203			Maroon, 91-A
	Drive Tire	Superior	SU 13x4.5x8-SC-EZ	Poly Drive Tire-Smooth Crown							Red, 85-A
	Drive Tire	Superior	SU 13x4.5x8-SC-XL	Poly Drive Tire-Smooth Crown							Cream, 93-A
	Drive Tire	Falcon	TI 126	Poly Drive Tire- Smooth Flat							Burgundy, 90-A
CR 74458	Drive Tire	Superior	SU 13.5x5.5x8-SF-R	Rubber Drive Tire-Smooth Flat	13.50 / 343	5.50 / 140		8.00 / 203			Black
	Drive Tire	Falcon	RT 133	Rubber Drive Tire-Smooth Flat							Black
CR 82694-1	Caster Assy	Superior	STR2001	Standard							Maroon, 95-A
	Caster Assy	Superior	STR2001FS	Grease Axle, Zinc Plated							Cream, 97-A
CR 115374-001	Caster Assy	OEM	CR 115374-001	Quick Adj. W/ Torsion Bar							Set of 2
CR 115374-002	Caster Assy	OEM	CR 115374-002	Quick Adj. W/O Torsion Bar							Set of 2
CR 83179	Caster Wheel	Generic	GW 9143	Incl. Bearings, washers	4.00 / 102	2.50 / 63				6205Z	Scotch, 95-A

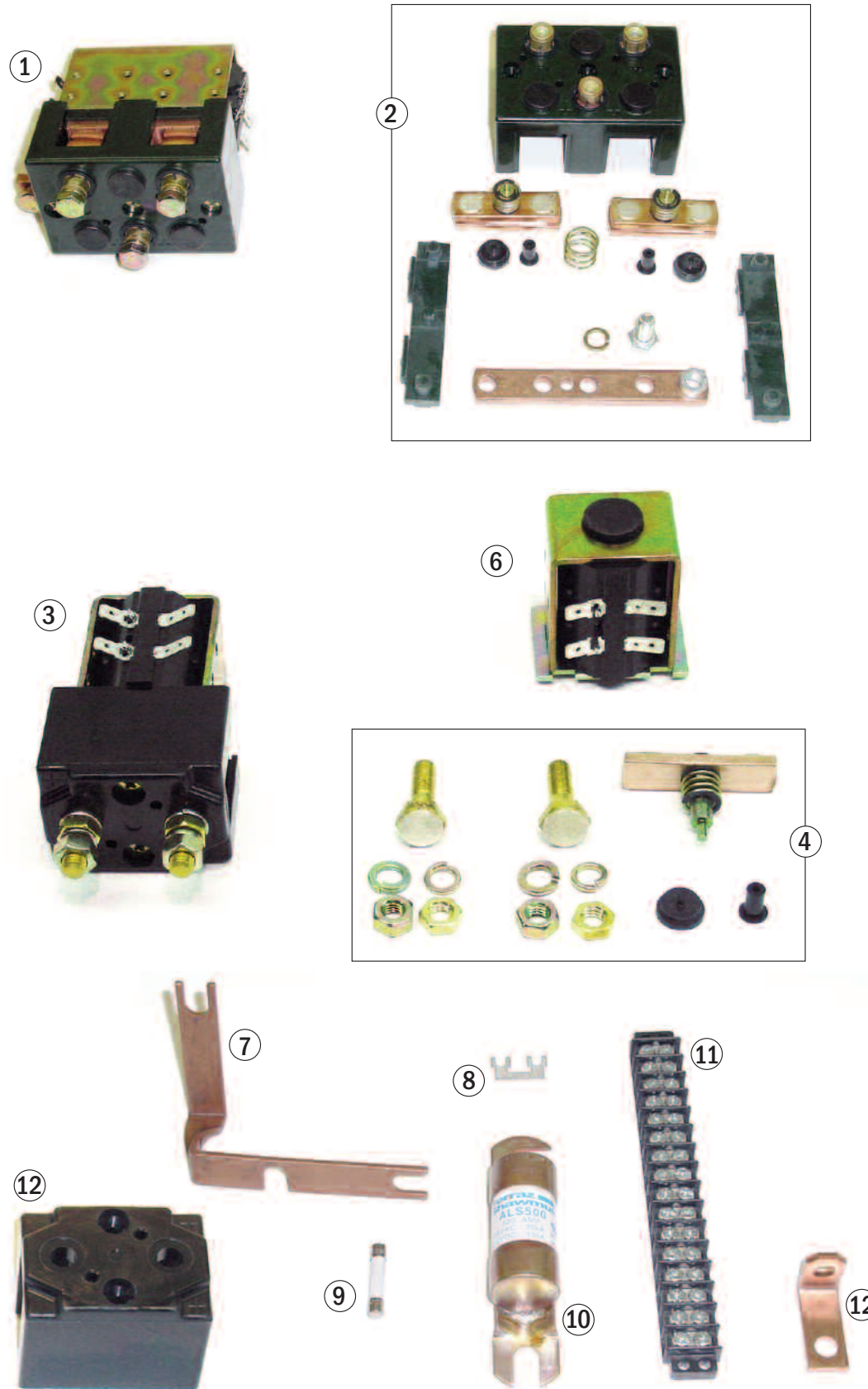
Miscellaneous



Miscellaneous

Item	Part No.	Description	Application
1	CR 72708-OEM	Ignition switch	Original
	CR 107151-001-OEM	Replacement key	OEM molded key
	CR 107151-001-OEM-G	Replacement key	Non-molded, fits OEM ignition
2	CR 72708	Ignition switch	Generic
	CR 107151-001	Replacement key	Fits Generic Ignition
3	CR 77917-002	175 Gray connector	w 1/0 Lug
	CR 77917-001	350 Gray connector	w 2/0 Lug
	CR 77917-005	50 Gray connector	w 6mm Lug
4	CR 115083	Battery discharge indicator	
5	CR 113773-001	Hour meter	3 Terminal, 9-60V
6	CR 115874	Unigage	Battery discharge/hr. meter
7	CR 78708-4	Horn, 24V	
8	CR 121329-001	Mat	

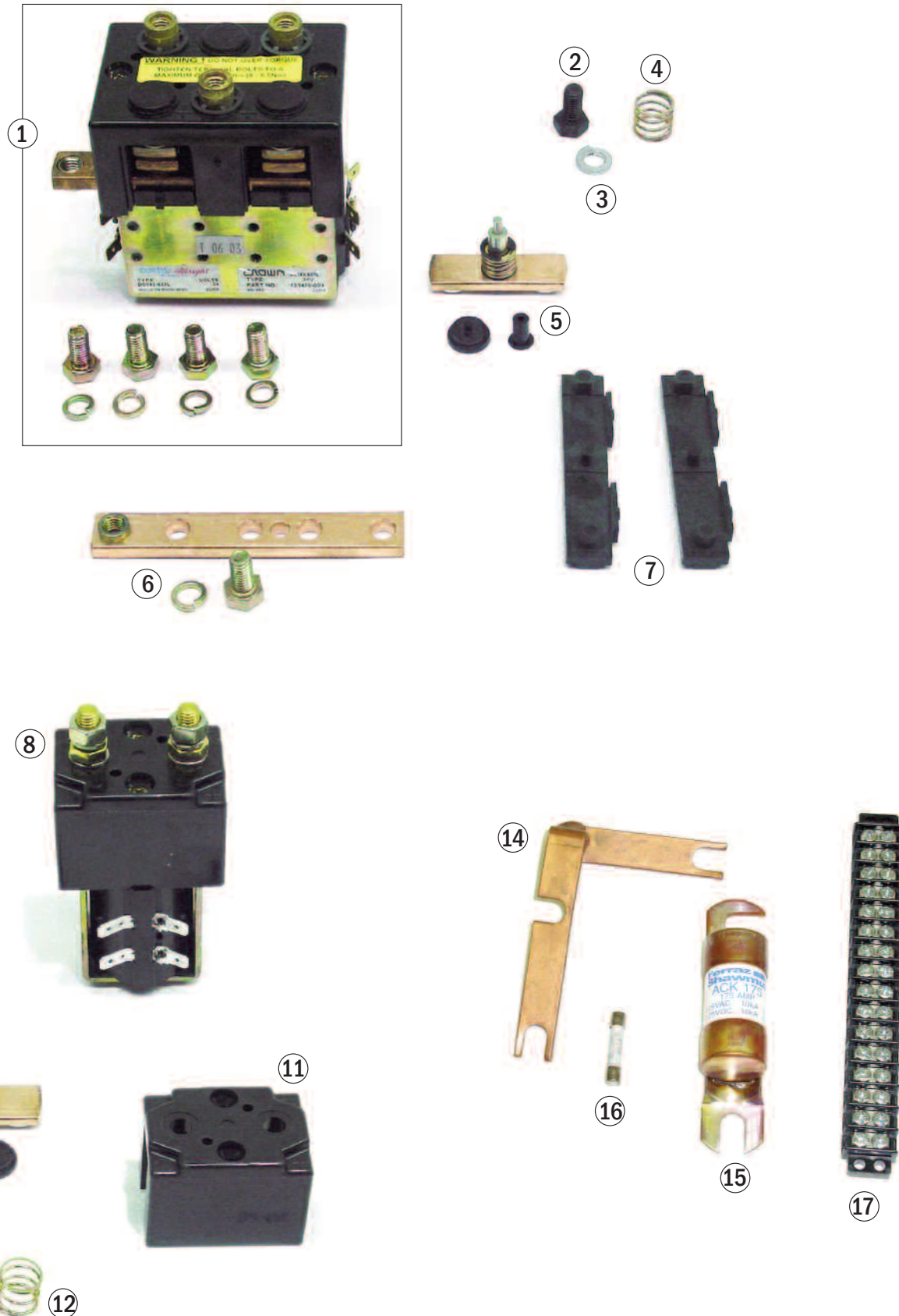
Contactor Panel - Resistor (to S/N 132472)



Contactor Panel - Resistor (to S/N 132472)

Item	Part No.	Description	Application
1	CR 116794-003	Contactor	forward and reverse
2	CR 116794-003-KIT	Contactor Kit	
3	CR 110613-003	Contactor	2nd and 3rd speed
4	CR 117162	Contact tip kit	
5	CR 117160	Coil, 24V	2nd and 3rd speed
6	CR 116785	Bus bar	
7	CR 112230	Bus bar	
8	CR 094362-002	Fuse, 15A	
9	CR 076924-006	Fuse, 175A	
10	CR 079564-011	Terminal	
11	CR 087652	Bus bar	
12	CR 114436	Top cover	

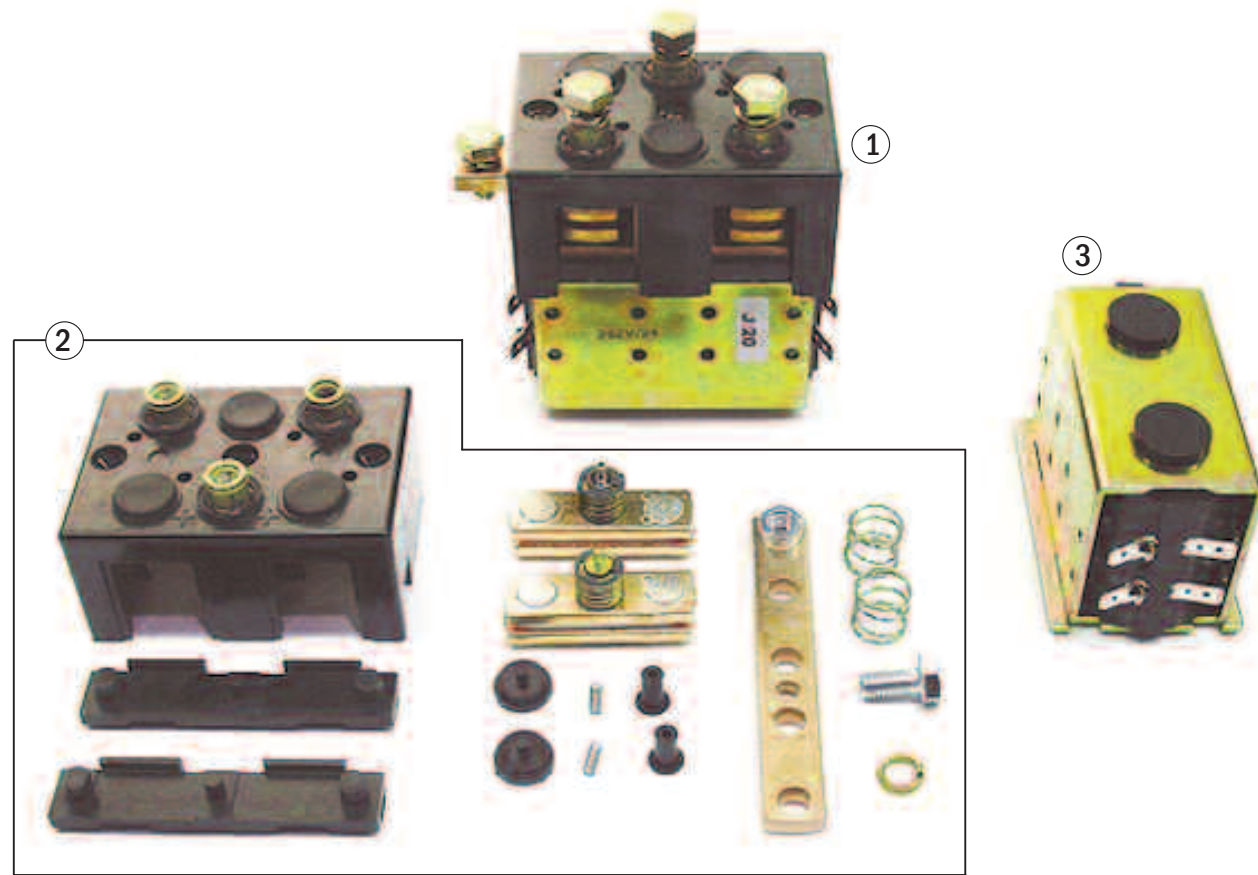
Contactor Panel - Resistor (S/N 132472 and up)



Contactor Panel - Resistor (S/N 132472 and up)

Item	Part No.	Description	Application
1	CR 123470-003	Contactor	forward and reverse
2	CR 060063-006	Screw	
3	CR 050010-020	Lockwasher	
4	CR 126123	Return spring	two included
5	CR 107348	Moving contact	two included
6	CR 126124	Fixed contact	
7	CR 119130	Insulator	two included
8	CR 110613-003	Contactor A & B	2nd and 3rd speed
9	CR 117157	Fixed contact	
10	CR 117158	Moving contact	
11	CR 114436	Top cover	
12	CR 117159	Return spring	
13	CR 123601	Bushing	
14	CR 116785	Bus bar	
15	CR 076924-006	Fuse, 175A	
16	CR 094362-002	Fuse, 15A	
17	CR 079564-011	Terminal block	

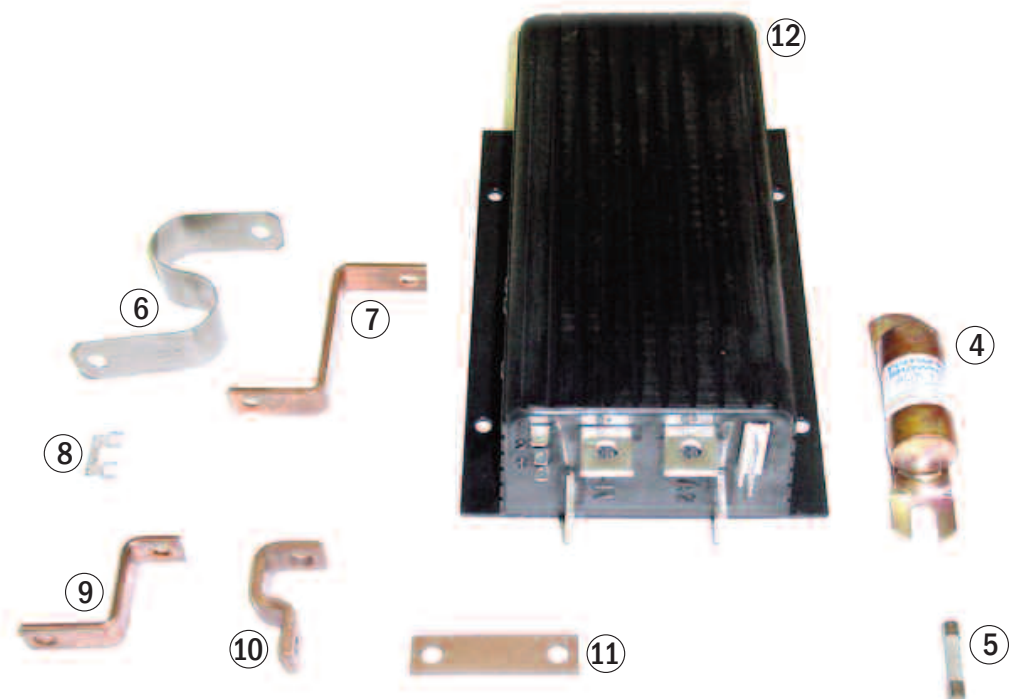
Contactor Panel - Transistor (Curtis)



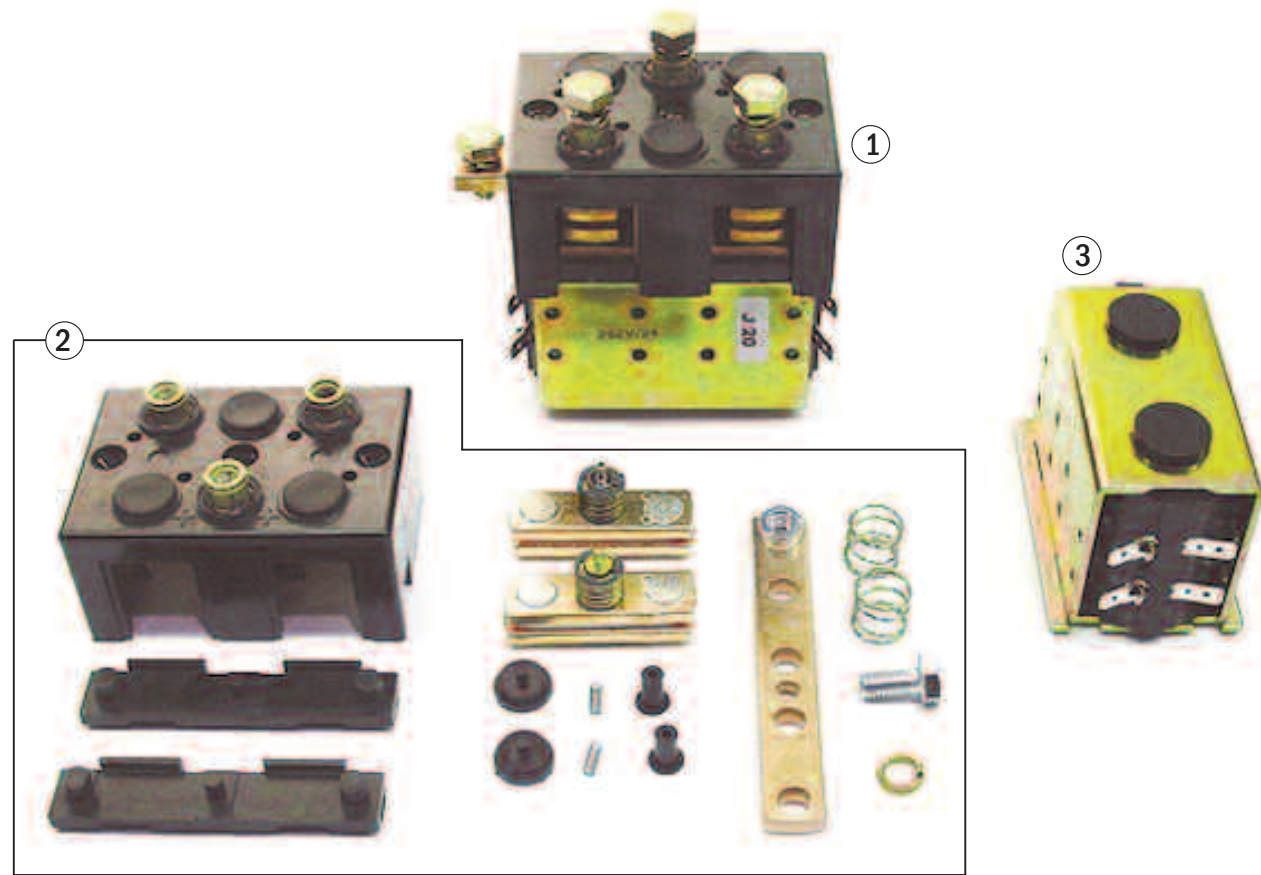
Contactor Panel - Transistor (Curtis)

Item	Part No.	Description	Application
1	CR 116794-002	Contactora	forward and reverse
2	CR 116794-002-KIT	Contactora Kit	incl. tips & tops
3	CR 117156	Coil, 24V	
4	CR 076924-006	Fuse, 175A	
5	CR 094362-002	Fuse, 15A	
6	CR 116594	Resistor	
7	CR 116550	Bus bar	
8	CR 112230	Bus bar	
9	CR 116596	Bus bar	
10	CR 116798	Bus bar	
11	CR 116595	Bus bar	
12	CR 123813-R	Controller - rebuilt*	Curtis
	CR 123813-C	Core deposit	

* Pricing based on return of rebuildable core.



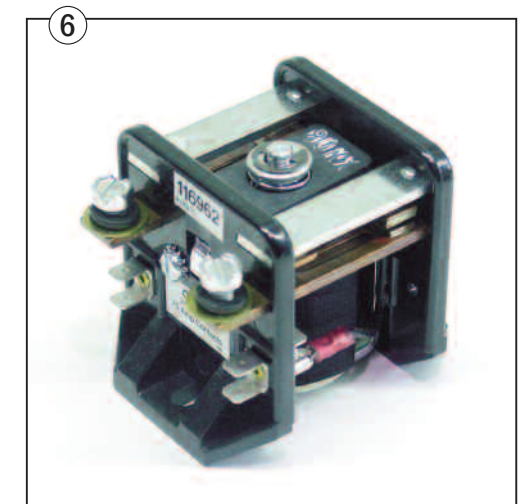
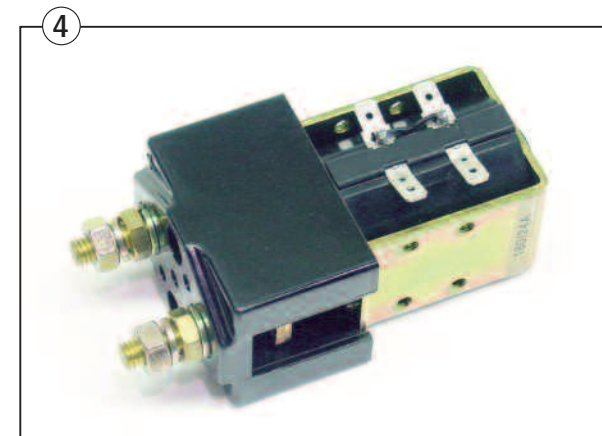
Contactors Panel - Transistor (SEVCON)



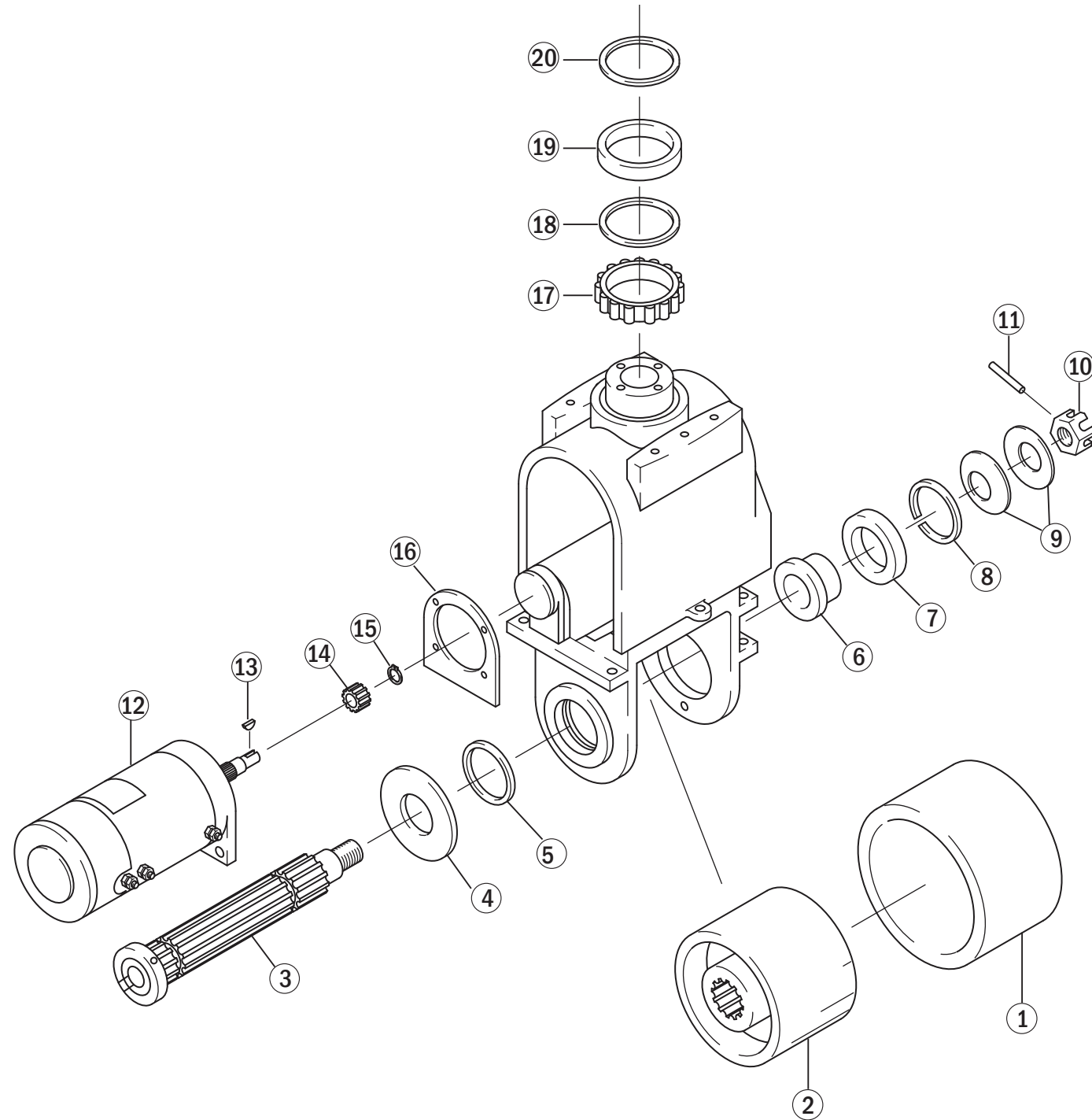
Contactors Panel - Transistor (SEVCON)

Item	Part No.	Description	Application
1	CR 116794-002	Contactors	forward and reverse
2	CR 116794-002-KIT	Contactors Kit	incl. tips & tops
3	CR 117156	Coil, 24V	
4	CR 110613-001	Contactors	
5	CR 120091	Contact tip Kit	
6	CR 116962	Contactors FW	High speed option
7	CR 076924-006	Fuse, 175A	
8	CR 094362-002	Fuse, 15A	
9	CR 112230	Bus bar	
10	CR 116798	Bus bar	
11	CR 116550	Bus bar	
12	CR 116594	Resistor	
13	CR 121824-R CR 121824-C	Controller - rebuilt* Core deposit	Sevcon

* Pricing based on return of rebuildable core.



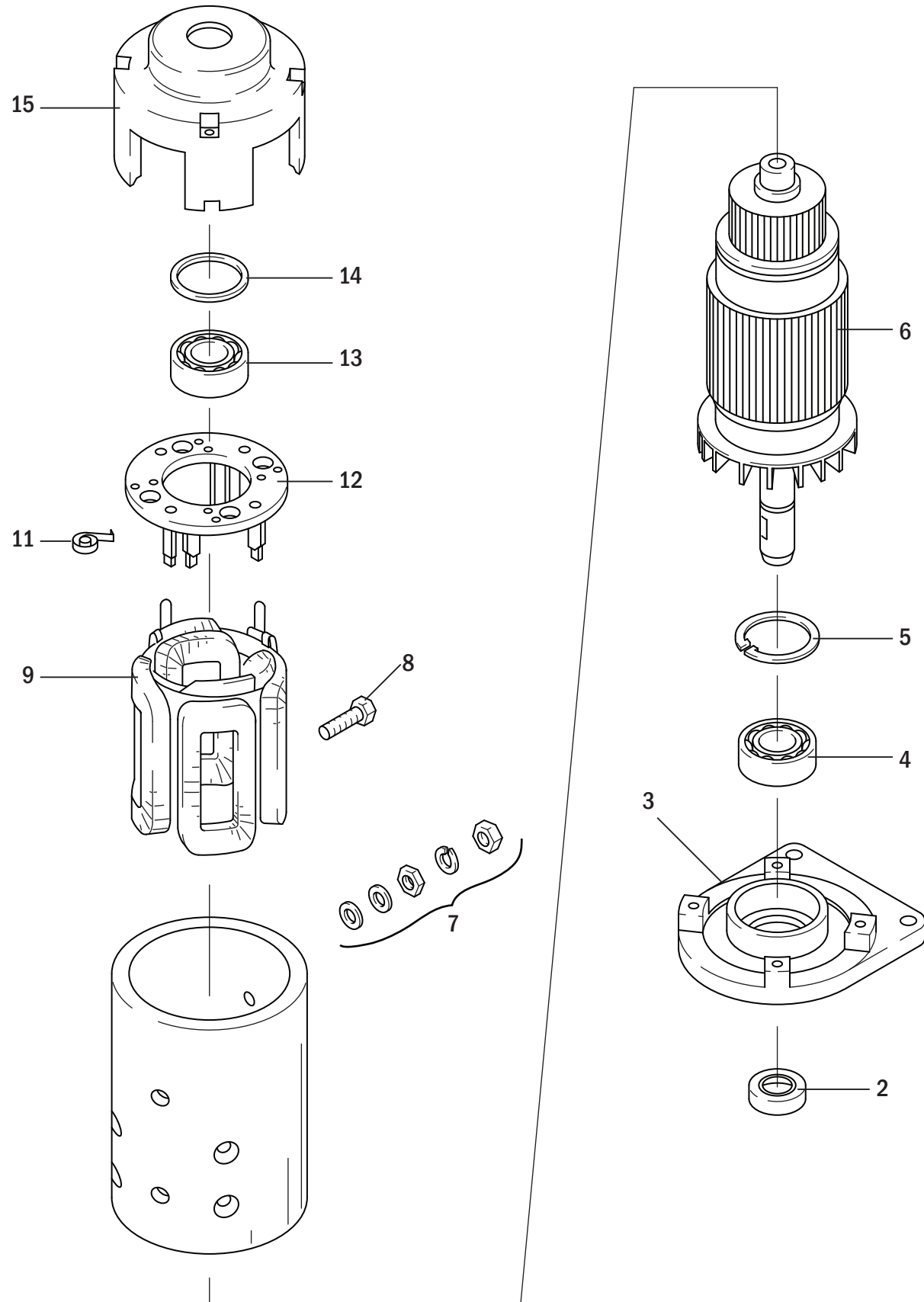
Drive Unit



Drive Unit

Item	Part No.	Description	Application
1	CR 79494	Poly drive tire	13" x 4.5" x 8"
	SU 13x4.5x8-FT-P	Poly drive tire	95-A, smooth flat
	SU 13x4.5x8-SC-EZ	Poly drive tire	85-A, smooth Crown
	SU 13x4.5x8-SC-XL	Poly drive tire	97-A, smooth Crown
	FL T1126	Poly drive tire	90-A, smooth flat
	CR 74458	Rubber drive tire	13.5" x 5.5" x 8"
	SU 13.5x5.5x8-SF-R	Rubber drive tire	Smooth, flat
	FL RT133	Rubber drive tire	Smooth, flat
2	CR 113361	Drive Wheel hub	8" x 5.5"
3	CR 113356	Drive axle	
4	CR 90724	Slinger	
5	CR 93613	Oil Seal	
6	CR 113359-001	Adaptor bearing	
7	CR 65081-055	Ball bearing	
8	CR 60009-040	Retaining ring	
9	CR 113367	Beveled washer	
10	CR 60021-039	Nut	
11	CR 60000-022	Roll pin	
12	CR 20168	Drive motor - Generic	(see drive motor section for replacement parts)
13	CR 61008-002	Woodruff key	
14	CR 74784	Pinion gear	
	CR 79497	Pinion gear	w/high speed option
15	CR 60009-011	Retaining ring	
16	CR 73432	Gasket	
17	CR 77015	Bearing cone	
18	CR 73817	Felt seal	
19	CR 77014	Bearing cup	
20	CR 73818	Felt seal	

Drive Motor



Drive Motor

Item	Part No.	Description	Application
1	CR 20168	Drive Motor - Generic	OEM Motor parts
2	CR 78499	Oil seal	OEM Motor parts
3	CR 20157	Head	OEM Motor parts
4	CR 65081-052	Bearing	OEM Motor parts
5	CR 60009-144	Retaining ring	OEM Motor parts
6	CR 20167	Armature	OEM Motor parts
7	CR 113327	Terminal stud kit	OEM Motor parts
8	CR 60078-003	Screw	OEM Motor parts
9	CR 20165	Field coil	OEM Motor parts
10	CR 113328	Brush set (4)	OEM Motor parts
11	CR 113329	Spring set (4)	OEM Motor parts
12	CR 20018	Brush holder	OEM Motor parts
13	CR 65081-051	Bearing	OEM Motor parts
14	CR 60046-016	Washer spring	OEM Motor parts
15	CR 20004	Communtator end head	OEM Motor parts

Drive Unit - Brakes

1 - Switch



2 - Brake shoe



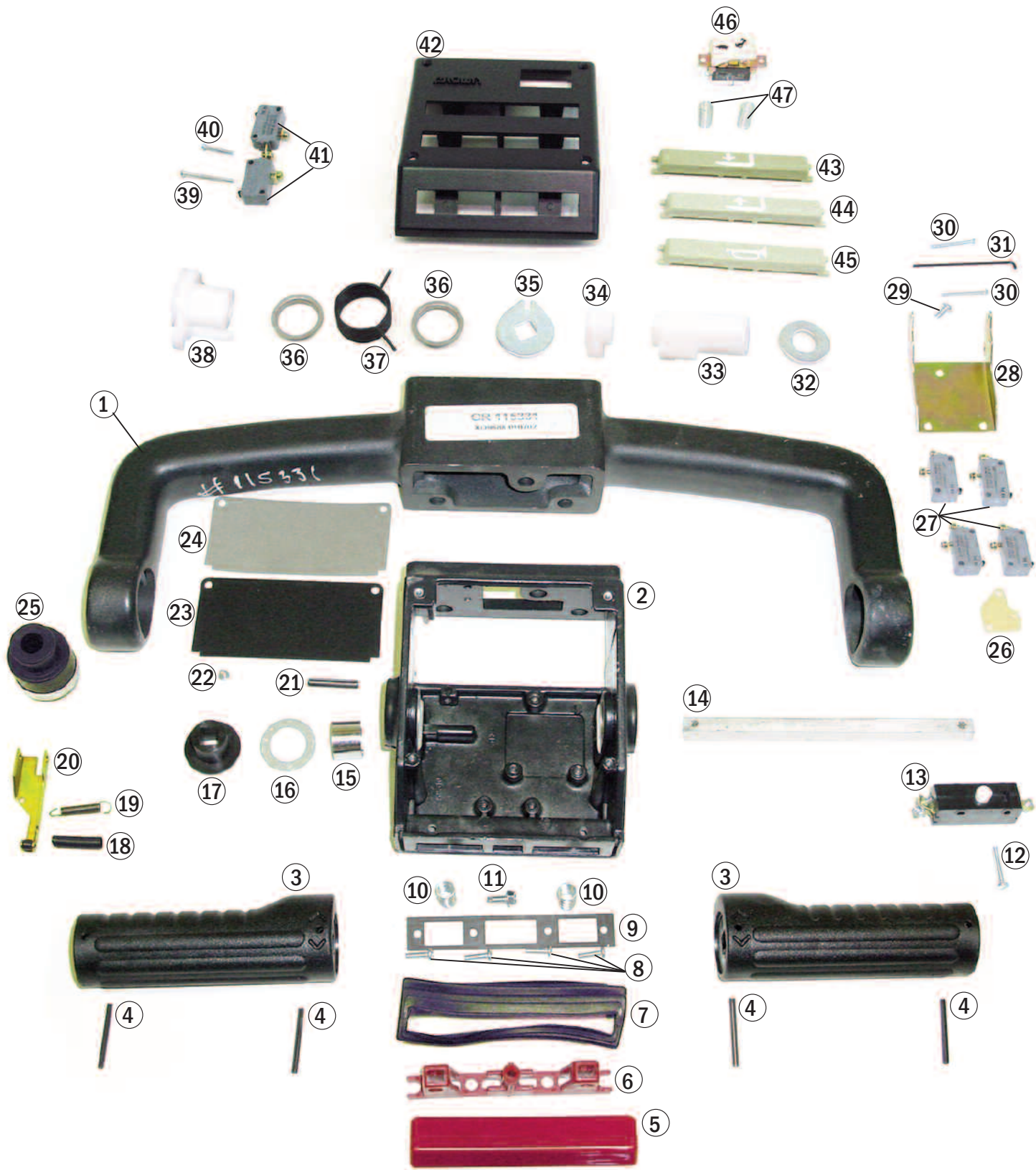
3 - Brake drum



Drive Unit - Brakes

Item	Part No.	Description	Application
1	CR 73374	Switch	
2	CR 109597	Brake shoe	non-asbestos
3	CR 80968	Brake drum	

Resistor Control Pod



Resistor Control Pod

Item	Part No.	Description
1	CR 115331	Yoke
2	CR 089317	Pod
3	CR 115675	Grip
4	CR 060000-108	Roll pin
5	CR 093904-001	Cap button
6	CR 089324-001	Red body button
7	CR 088975	Bellow
8	CR 060032-035	Self tapping screw
9	CR 093068	Retainer
10	CR 080695	Spring
11	CR 060032-032	Self tapping screw
12	CR 060012-023	Screw #6
13	CR 073375	Switch
14	CR 089521	Bar
15	CR 092224	Split bushing
16	CR 060030-163	Flat washer
17	CR 089510	Bushing
18	CR 065003-017	Sleeving
19	CR 073371	Spring
20	CR 092586	Arm detent
21	CR 060000-075	Roll pin
22	CR 060032-037	Self tapping screw
23	CR 087144	Cover
24	CR 114003	Insulator
25	CR 116329	Extension
26	CR 089342	Spacer
27	CR 089362	Switch
28	CR 089336	Bracket
29	CR 060014-006	Screw #10
30	CR 060011-022	Screw #4
31	CR 089298-002	Rod
32	CR 060030-190	Flatwasher .03" thick
33	CR 089356	Cam
34	CR 089543	Cam
35	CR 089514	Plate
36	CR 088611-002	Collar
37	CR 089360	Torsion Spring

Item	Part No.	Description
38	CR 089350	Stop
39	CR 060011-027	Screw #4
40	CR 060011-021	Screw #4
41	CR 089362	Switch
42	CR 088753-001	Cover unit
43	CR 117267-002	Lower button
44	CR 117267-001	Raise button
45	CR 117267-003	Horn button
46	CR 117268	Switch 3rd speed
47	CR 073384	Spring

Resistor - Quickpick

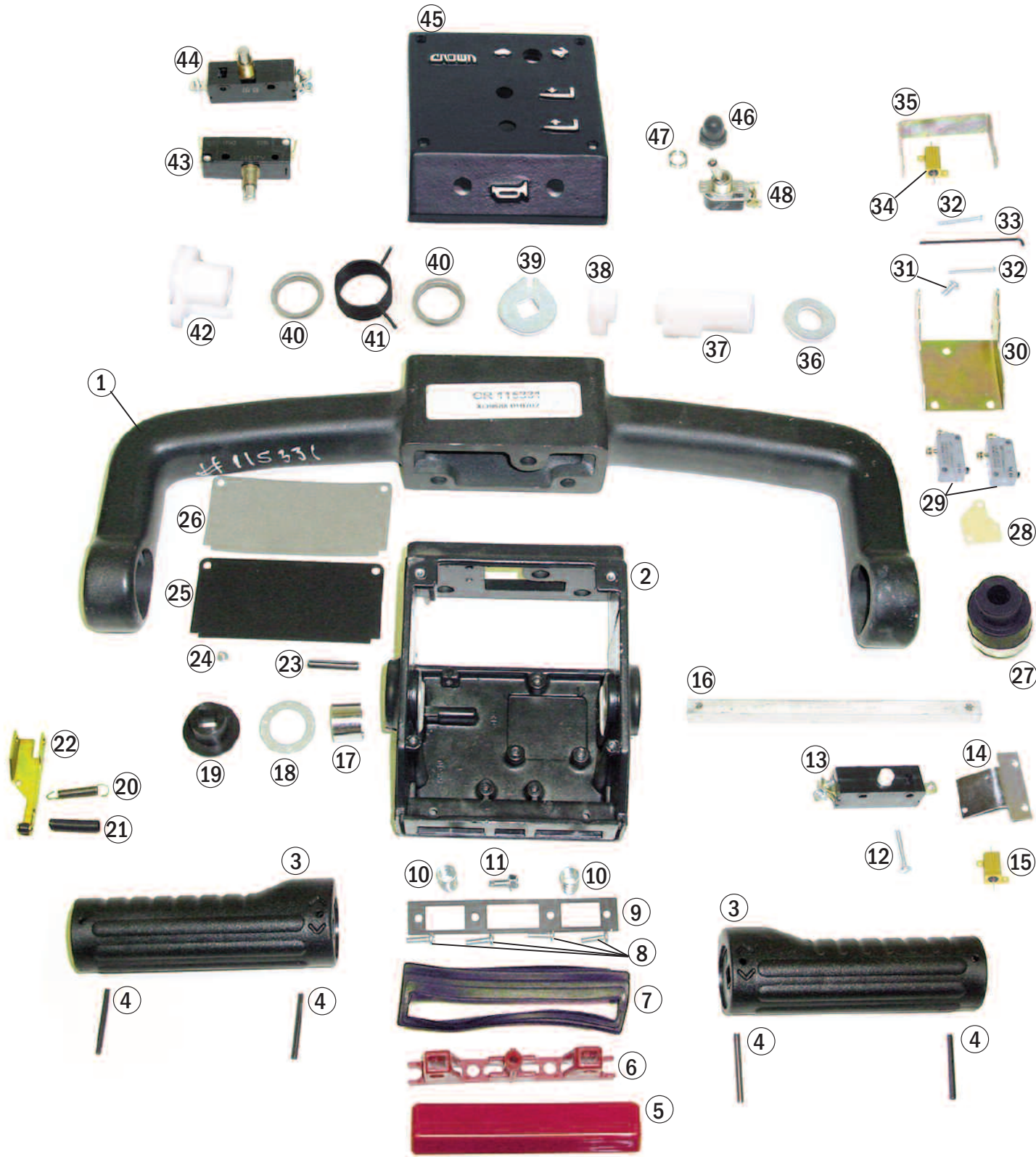


Resistor - Quickpick

Item	Part No.	Description
1	CR 113387	Yoke
2	CR 089317	Pod
3	CR 115675	Grip
4	CR 060000-108	Roll pin
5	CR 093904-001	Cap button
6	CR 089324-001	Red body button
7	CR 088975	Bellow
8	CR 060032-035	Self tapping screw
9	CR 093068	Retainer
10	CR 080695	Spring
11	CR 060032-032	Self tapping screw
12	CR 060012-023	Screw #6
13	CR 073375	Switch
14	CR 089521	Bar
15	CR 092224	Split bushing
16	CR 060030-163	Flat washer
17	CR 089510	Bushing
18	CR 087144	Cover
19	CR 114003	Insulator
20	CR 060032-037	Self tapping screw
21	CR 060000-075	Roll pin
22	CR 113425-001	Cover, left
23	CR 113425-002	Cover, right
24	CR 117269	Outer Button
25	CR 108693	Spring
26	CR 089362	Switch
27	CR 089362	Switch
28	CR 113432	Insulator
29	CR 113434	Insulator
30	CR 060045-020	Shoulder belt
31	CR 117270	Button
32	CR 073384	Spring
33	CR 115676	Extension
34	CR 113431	Insulator
35	CR 113433	Insulator
36	CR 089362	Switch
37	CR 089362	Switch
38	CR 089342	Spacer

Item	Part No.	Description
39	CR 113352	Switch
40	CR 089336	Bracket
41	CR 060014-006	Screw #10
42	CR 060011-022	Screw #4
43	CR 089298-002	Rod
44	CR 060030-190	Flatwasher .03" thick
45	CR 089356	Cam
46	CR 089543	Cam
47	CR 089514	Plate
48	CR 088611-002	Collar
49	CR 089360	Torsion spring
50	CR 089350	Stop
51	CR 118901	Switch
52	CR 088753-003	Cover
53	CR 117267-002	Lower button
54	CR 117267-001	Raise button
55	CR 117267-003	Horn button
56	CR 73384	Spring
57	CR 092586	Arm detent
58	CR 073371	Spring
59	CR 065003-017	Sleeving

Resistor - Freezer Corrosion

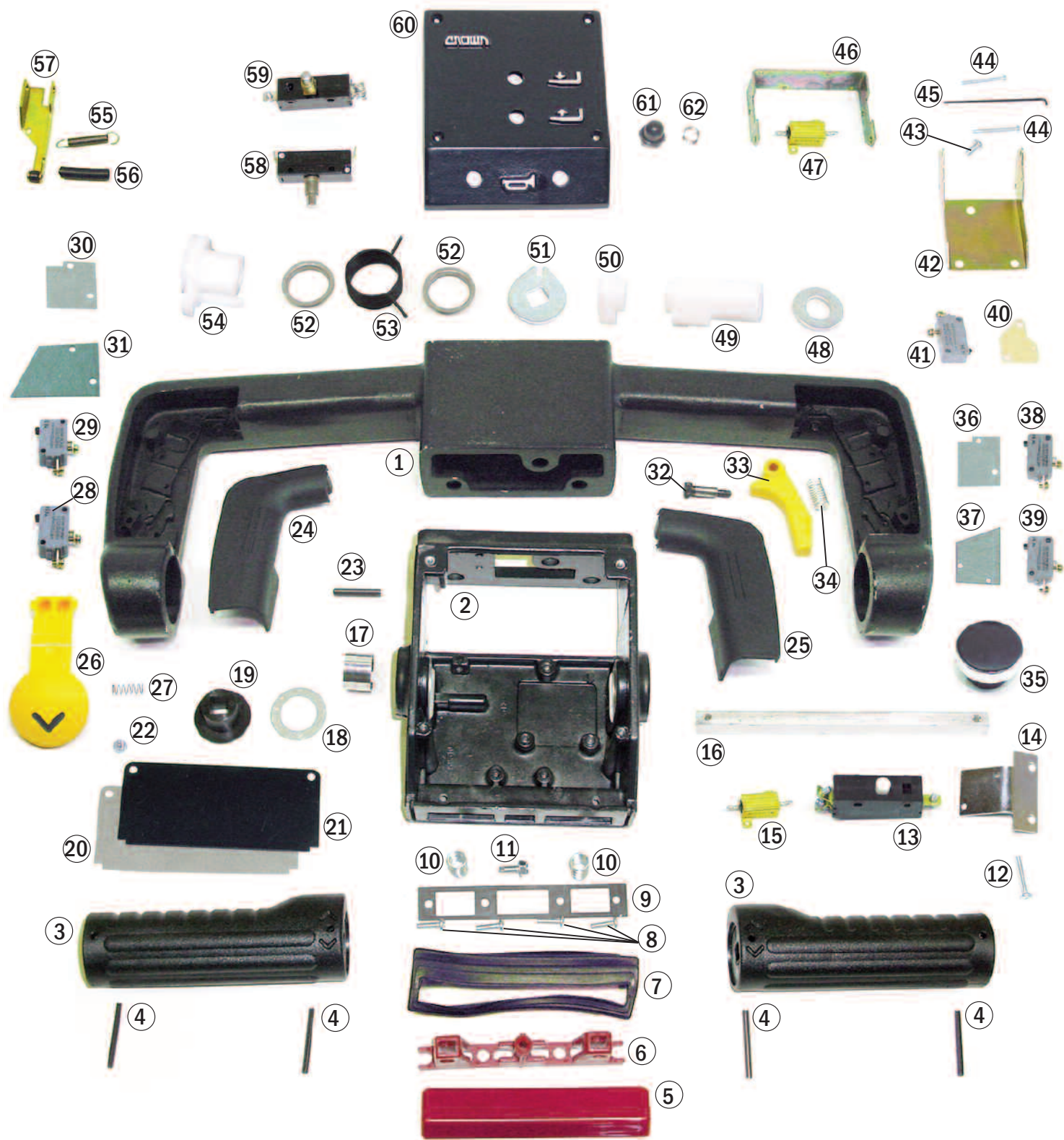


Resistor - Freezer Corrosion

Item	Part No.	Description	Item	Part No.	Description
1	CR 115331	Yoke	38	CR 089543	Cam
2	CR 089317	Pod	39	CR 089514	Plate
3	CR 115675	Grip	40	CR 088611-002	Collar
4	CR 060000-108	Roll pin	41	CR 089360	Torsion spring
5	CR 093904-001	Cap button	42	CR 089350	Stop
6	CR 089324-001	Red button body	43	CR 101589	Switch, horn
7	CR 088975	Bellow	44	CR 078879	Switch, lower and raise
8	CR 060032-035	Self tapping screw	45	CR 102525-001	Cover
9	CR 093068	Retainer	46	CR 075585	Seal
10	CR 080695	Spring	47	CR 077635	Adaptor
11	CR 060032-032	Self tapping screw	48	CR 077633	Toggle switch
12	CR 060012-023	Screw #6			
13	CR 073375	Switch			
14	CR 93887	Bracket mounting			
15	CR 062033-013	Resistor			
16	CR 089521	Bar			
17	CR 092224	Split bushing			
18	CR 060030-163	Flat washer			
19	CR 089510	Bushing			
20	CR 073371	Spring			
21	CR 065003-017	Sleeving			
22	CR 092586	Arm detent			
23	CR 060000-075	Roll pin			
24	CR 060032-037	Self tapping screw			
25	CR 087144	Cover			
26	CR 114003	Insulator			
27	CR 116329	Extension			
28	CR 089342	Spacer			
29	CR 089362	Switch			
30	CR 089336	Bracket			
31	CR 060014-006	Screw #10			
32	CR 060011-022	Screw #4			
33	CR 089298-002	Rod			
34	CR 062033-013	Resistor, 24V			
35	CR 093492-001	Bracket			
36	CR 060030-190	Flatwasher .03" thick			
37	CR 089356	Cam			

For current prices call us at 800-462-2370 or log into your account at www.SuperStoresService.com

Resistor Quickpick - Freezer Corrosion

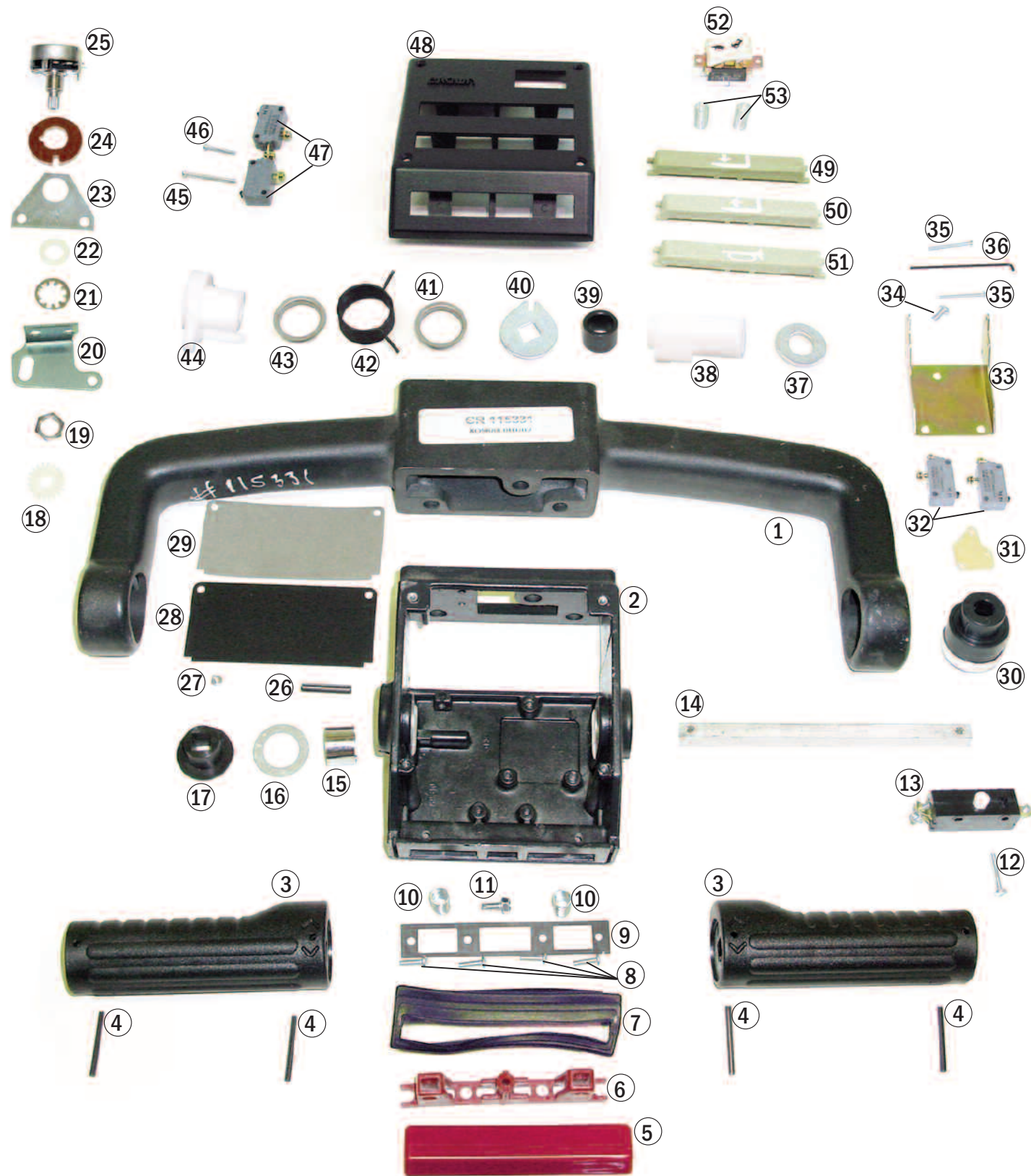


Resistor Quickpick - Freezer Corrosion

Item	Part No.	Description	Item	Part No.	Description
1	CR 113387	Yoke	39	CR 089362	Switch
2	CR 089317	Pod	40	CR 089342	Spacer
3	CR 115675	Grip	41	CR 089362	Switch
4	CR 060000-108	Roll pin	42	CR 089336	Bracket
5	CR 093904-001	Cap button	43	CR 060014-006	Screw #10
6	CR 089324-001	Red body button	44	CR 060011-022	Screw #4
7	CR 088975	Bellow	45	CR 089298-002	Rod
8	CR 060032-035	Self tapping screw	46	CR 093492-001	Bracket
9	CR 093068	Retainer	47	CR 062033-013	Resistor
10	CR 080695	Spring	48	CR 060030-190	Flatwasher .03" thick
11	CR 060032-032	Self tapping screw	49	CR 089356	Cam
12	CR 060012-023	Screw #6	50	CR 089543	Cam
13	CR 073375	Switch	51	CR 089514	Plate
14	CR 093887	Mounting bracket	52	CR 088611-002	Collar
15	CR 062033-013	Resistor	53	CR 089360	Torsion spring
16	CR 089521	Bar	54	CR 089350	Stop
17	CR 092224	Split bushing	55	CR 073371	Spring
18	CR 060030-163	Flat washer	56	CR 065003-017	Sleeving
19	CR 089510	Bushing	57	CR 092586	Arm detent
20	CR 087144	Cover	58	CR 101589	Horn switch
21	CR 114003	Insulator	59	CR 078879	Switch
22	CR 060032-037	Self tapping screw	60	CR 102525-002	Cover
23	CR 060000-075	Roll pin	61	CR 075585	Seal
24	CR 113425-001	Cover, left	62	CR 077635	Adaptor
25	CR 113425-002	Cover, right			
26	CR 117269	Outer button			
27	CR 108693	Spring			
28	CR 089362	Switch			
29	CR 089362	Switch			
30	CR 113432	Insulator			
31	CR 113434	Insulator			
32	CR 060045-020	Shoulder bolt			
33	CR 117270	Button			
34	CR 073384	Spring			
35	CR 115676	Extension			
36	CR 113431	Insulator			
37	CR 113433	Insulator			
38	CR 089362	Switch			

For current prices call us at 800-462-2370 or log into your account at www.SuperStoresService.com

Transistor Control Pod

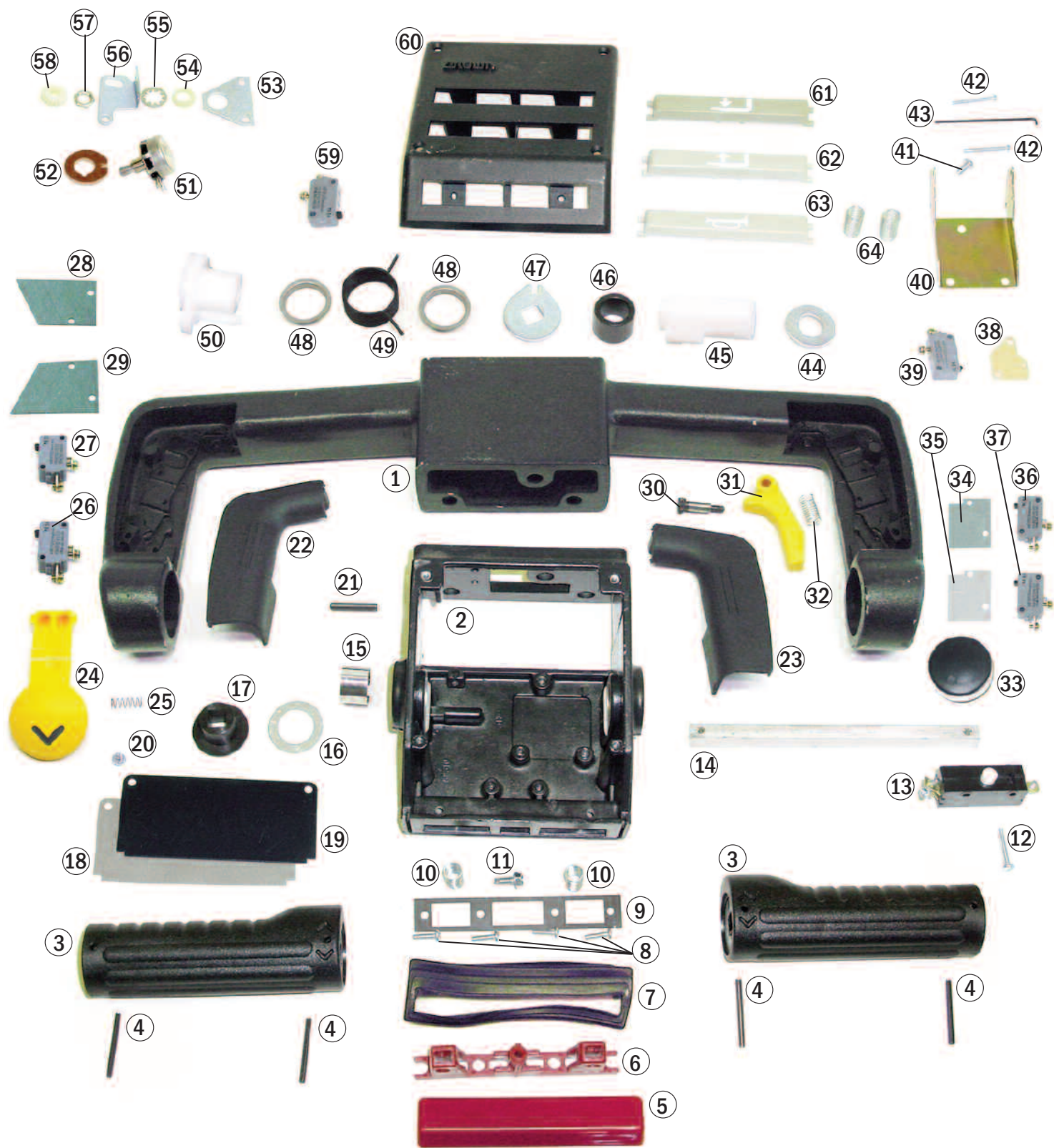


Transistor Control Pod

Item	Part No.	Description
1	CR 115331	Yoke
2	CR 089317	Pod
3	CR 115675	Grip
4	CR 060000-108	Roll pin
5	CR 093904-001	Cap button
6	CR 089324-001	Red body button
7	CR 088975	Bellows
8	CR 060032-035	Self tapping screw
9	CR 093068	Retainer
10	CR 080695	Spring
11	CR 060032-032	Self tapping screw
12	CR 060012-023	Screw #6
13	CR 073375	Switch
14	CR 089521	Bar
15	CR 092224	Split bushing
16	CR 060030-163	Flat washer
17	CR 089510	Bushing
18	CR 080275	Pinion
19	CR 060021-010	Nut
20	CR 089532	Bracket
21	CR 060005-010	Lockwasher
22	CR 076649-002	Insulator
23	CR 089529	Plate
24	CR 089549	Insulator
25	CR 079019	Potentiometer, Accelerate
26	CR 060000-075	Roll pin
27	CR 060032-037	Self tapping screw
28	CR 087144	Cover
29	CR 114003	Insulator
30	CR 116329	Extension
31	CR 089342	Spacer
32	CR 089362	Switch
33	CR 089336	Bracket
34	CR 060014-006	Screw #10
35	CR 060011-022	Screw #4
36	CR 089298-002	Rod

Item	Part No.	Description
37	CR 060030-190	Flatwasher .03" thick
38	CR 089356	Cam
39	CR 089548	Spacer
40	CR 089514	Plate
41	CR 088611-002	Collar
42	CR 089360	Torsion spring
43	CR 088611-002	Collar
44	CR 089350	Stop
45	CR 060011-027	Screw #4
46	CR 060011-021	Screw #4
47	CR 089362	Switch
48	CR 088753-001	Cover unit
49	CR 117267-002	Lower button
50	CR 117267-001	Raise button
51	CR 117267-003	Horn button
52	CR 117268	Switch 3rd speed
53	CR 073384	Spring

Transistor - Quickpick

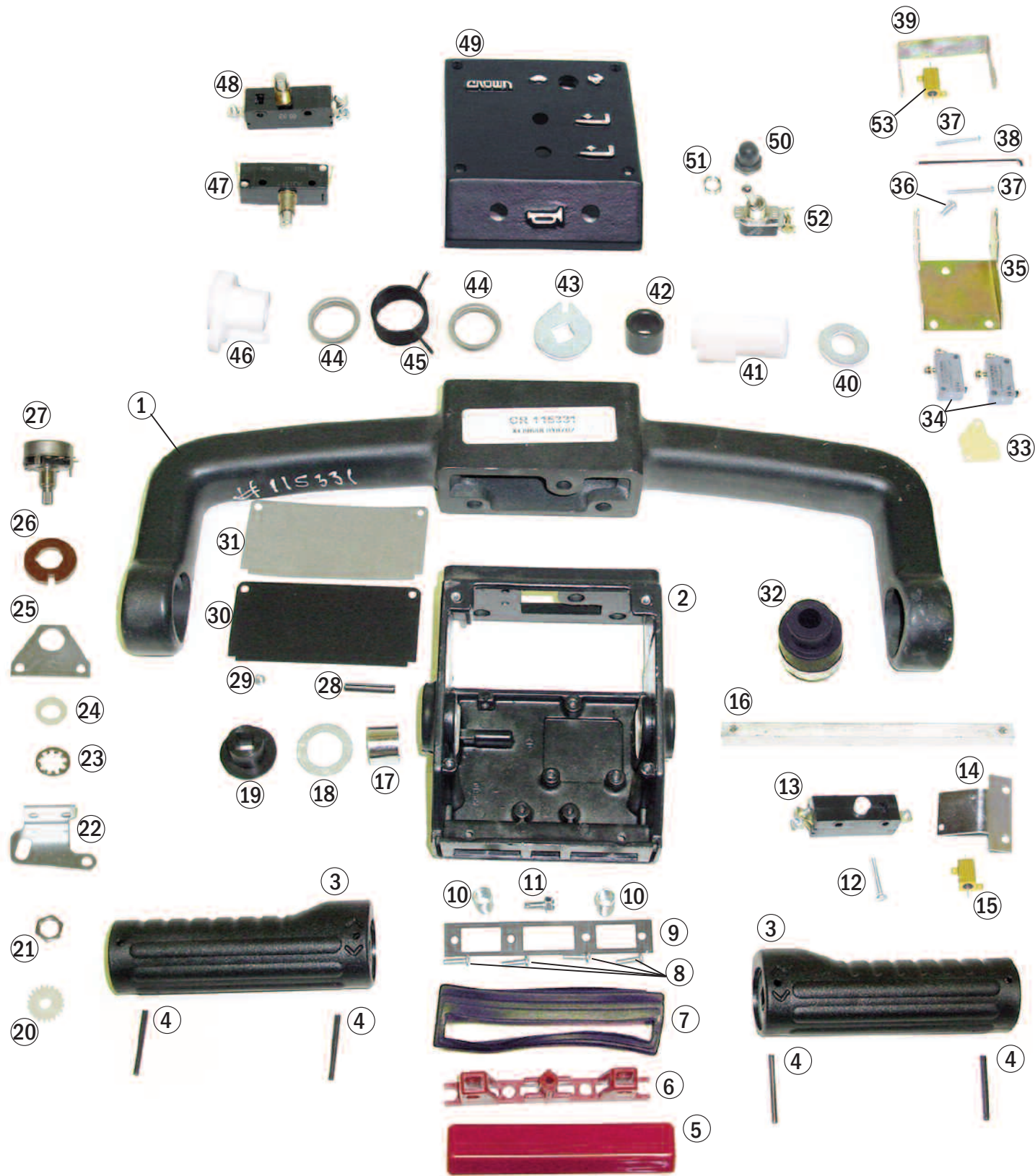


Transistor - Quickpick

Item	Part No.	Description
1	CR 113387	Yoke
2	CR 089317	Pod
3	CR 115675	Grip
4	CR 060000-108	Roll pin
5	CR 093904-001	Cap button
6	CR 089324-001	Red body button
7	CR 088975	Bellow
8	CR 060032-035	Self tapping screw
9	CR 093068	Retainer
10	CR 080695	Spring
11	CR 060032-032	Self tapping screw
12	CR 060012-023	Screw #6
13	CR 073375	Switch
14	CR 089521	Bar
15	CR 092224	Split bushing
16	CR 060030-163	Flat washer
17	CR 089510	Bushing
18	CR 087144	Cover
19	CR 114003	Insulator
20	CR 060032-037	Self tapping screw
21	CR 060000-075	Roll pin
22	CR 113425-001	Cover, left
23	CR 113425-002	Cover, right
24	CR 117269	Outer button
25	CR 108693	Spring
26	CR 089362	Switch
27	CR 089362	Switch
28	CR 113432	Insulator
29	CR 113434	Insulator
30	CR 060045-020	Shoulder bolt
31	CR 117270	Button
32	CR 073384	Spring
33	CR 115676	Extension
34	CR 113431	Insulator
35	CR 113433	Insulator
36	CR 089362	Switch
37	CR 089362	Switch
38	CR 089342	Spacer

Item	Part No.	Description
39	CR 113352	Switch
40	CR 089336	Bracket
41	CR 060014-006	Screw #10
42	CR 060011-022	Screw #4
43	CR 089298-001	Rod
44	CR 060030-190	Flatwasher
45	CR 089356	Cam
46	CR 089548	Spacer
47	CR 089514	Plate
48	CR 088611-002	Collar
49	CR 089360	Torsion spring
50	CR 089509	Stop
51	CR 079019	Potentiometer
52	CR 089549	Insulator
53	CR 089529	Plate
54	CR 076649-002	Insulator
55	CR 060005-010	Lockwasher
56	CR 089532	Bracket
57	CR 060021-010	Nut
58	CR 080275	Pinion
59	CR 118901	Switch
60	CR 088753-003	Cover
61	CR 117267-002	Lower button
62	CR 117267-001	Raise button
63	CR 117267-003	Horn button
64	CR 073384	Spring

Transistor - Freezer Corrosion

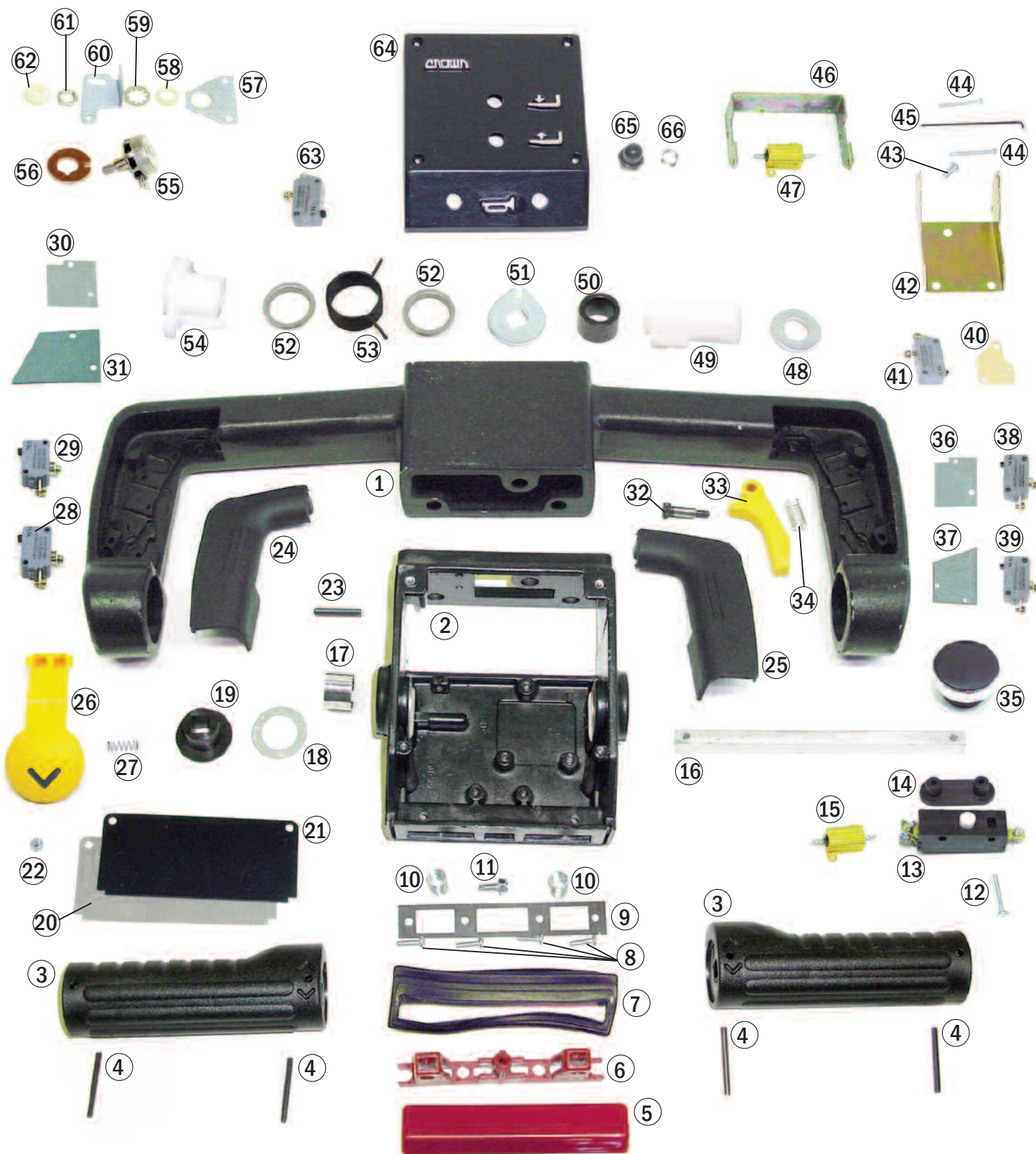


Transistor - Freezer Corrosion

Item	Part No.	Description	Item	Part No.	Description
1	CR 115331	Yoke	39	CR 093492-001	Bracket
2	CR 089317	Pod	40	CR 060030-190	Flatwasher
3	CR 115675	Grip	41	CR 089356	Cam
4	CR 060000-108	Roll pin	42	CR 089548	Spacer
5	CR 093904-001	Cap button	43	CR 089514	Plate
6	CR 089324-001	Red button body	44	CR 088611-002	Collar
7	CR 088975	Bellow	45	CR 089360	Torsion spring
8	CR 060032-035	Self tapping screw	46	CR 089509	Stop
9	CR 093068	Retainer	47	CR 101589	Switch horn
10	CR 080695	Spring	48	CR 078879	Switch, lower and raise
11	CR 060032-032	Self tapping screw	49	CR 102525-001	Cover
12	CR 060012-023	Screw #6	50	CR 075585	Seal
13	CR 073375	Switch	51	CR 077635	Adaptor
14	CR 93887	Bracket mounting	52	CR 077633	Toggle switch
15	CR 062033-013	Resistor	53	CR 062033-013	Resistor
16	CR 089521	Bar			
17	CR 092224	Split bushing			
18	CR 060030-163	Flatwasher			
19	CR 089510	Bushing			
20	CR 080275	Pinion			
21	CR 060021-010	Nut			
22	CR 089532	Bracket			
23	CR 060005-010	Lockwasher			
24	CR 076649-002	Insulator			
25	CR 089529	Plate			
26	CR 089549	Insulator			
27	CR 079019	Potentiometer			
28	CR 060000-075	Roll pin			
29	CR 060032-037	Self tapping screw			
30	CR 087144	Cover			
31	CR 114003	Insulator			
32	CR 116329	Extension			
33	CR 089342	Spacer			
34	CR 118901	Switch			
35	CR 089336	Bracket			
36	CR 060014-006	Screw #10			
37	CR 060011-021	Screw #4			
38	CR 089298-002	Rod			

For current prices call us at 800-462-2370 or log into your account at www.SuperStoresService.com

Transistor Quickpick - Freezer Corrosion



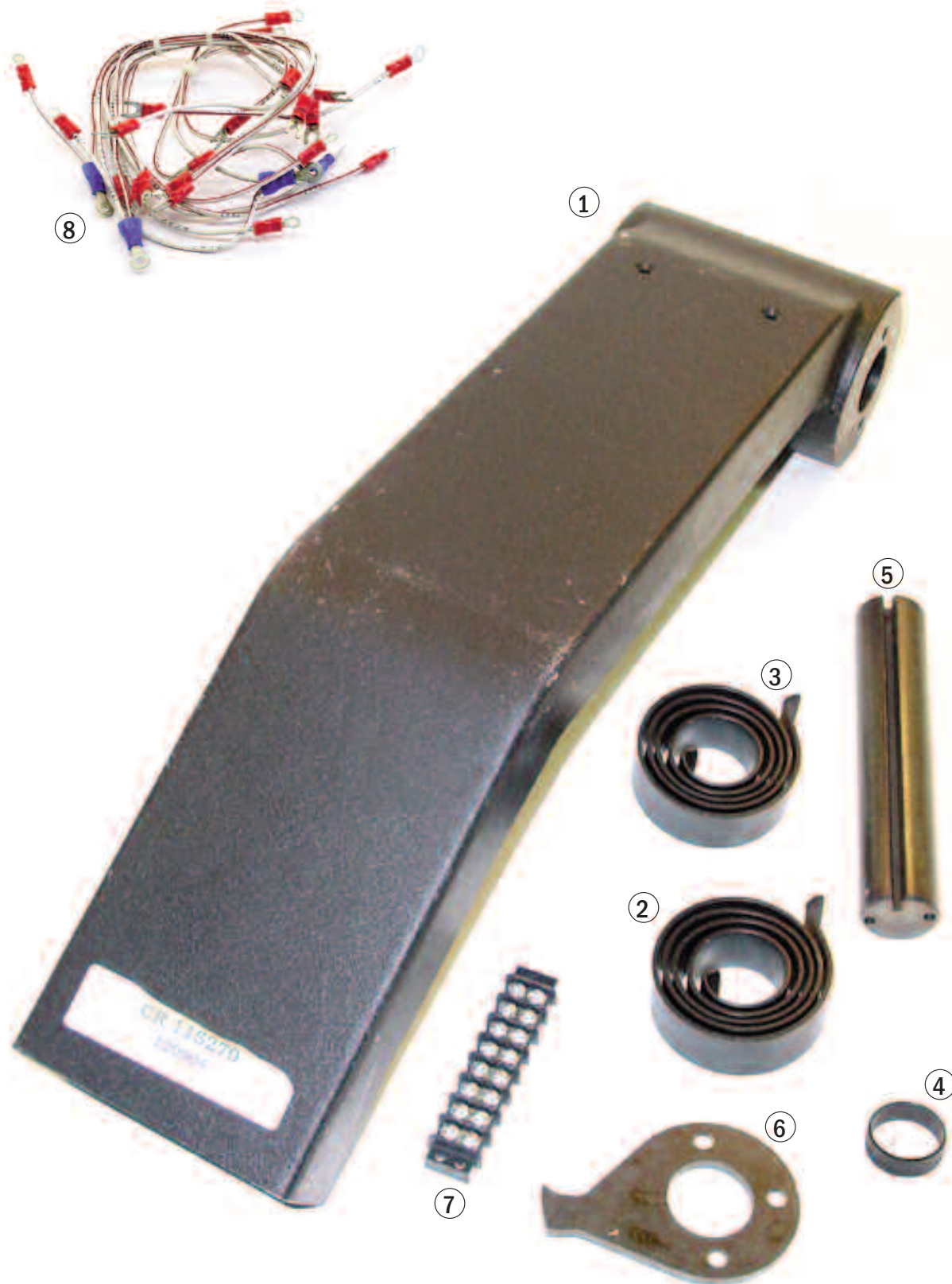
Transistor Quickpick - Freezer Corrosion

Item	Part No.	Description
1	CR 113387	Yoke
2	CR 089317	Pod
3	CR 115675	Grip
4	CR 060000-004	Roll pin
5	CR 093904-001	Cap button
6	CR 089324-001	Red body button
7	CR 088975	Bellow switch
8	CR 060032-035	Self tapping screw
9	CR 093068	Retainer
10	CR 080695	Spring
11	CR 060032-032	Self tapping screw
12	CR 060012-023	Screw #6
13	CR 073375	Switch
14	CR 093887	Mounting bracket
15	CR 092874	Resistor
16	CR 089521	Bar
17	CR 092224	Split bushing
18	CR 060030-163	Flatwasher
19	CR 089510	Bushing
20	CR 087144	Cover
21	CR 114003	Insulator
22	CR 060032-037	Self tapping screw
23	CR 060000-075	Roll pin
24	CR 113425-001	Cover, left
25	CR 113425-002	Cover, right
26	CR 117269	Outer button
27	CR 108693	Spring
28	CR 089362	Switch
29	CR 089362	Switch
30	CR 113432	Insulator
31	CR 113434	Insulator
32	CR 060045-020	Shoulder bolt
33	CR 117270	Button, inner
34	CR 073384	Spring
35	CR 115676	Extension
36	CR 113431	Insulator
37	CR 113433	Insulator
38	CR 089362	Switch

Item	Part No.	Description
39	CR 089362	Switch
40	CR 089342	Spacer
41	CR 113352	Switch
42	CR 089336	Bracket
43	CR 060014-006	Screw #10
44	CR 060011-021	Screw #4
45	CR 089298-002	Rod
46	CR 093492-002	Bracket
47	CR 092874	Resistor
48	CR 060030-190	Flatwasher
49	CR 089356	Cam
50	CR 089548	Spacer
51	CR 089514	Plate
52	CR 088611-002	Collar
53	CR 089360	Torsion spring
54	CR 089509	Stop
55	CR 079019	Potentiometer
56	CR 089549	Insulator
57	CR 089529	Plate
58	CR 076649-002	Insulator
59	CR 060005-010	Lockwasher
60	CR 089532	Bracket
61	CR 060021-010	Nut
62	CR 080275	Pinion
63	CR 078879	Switch, lower & raise CR 101589 Switch, horn
64	CR 102525-002	Cover
65	CR 075585	Seal
66	CR 077635	Adaptor

For current prices call us at 800-462-2370 or log into your account at www.SuperStoresService.com

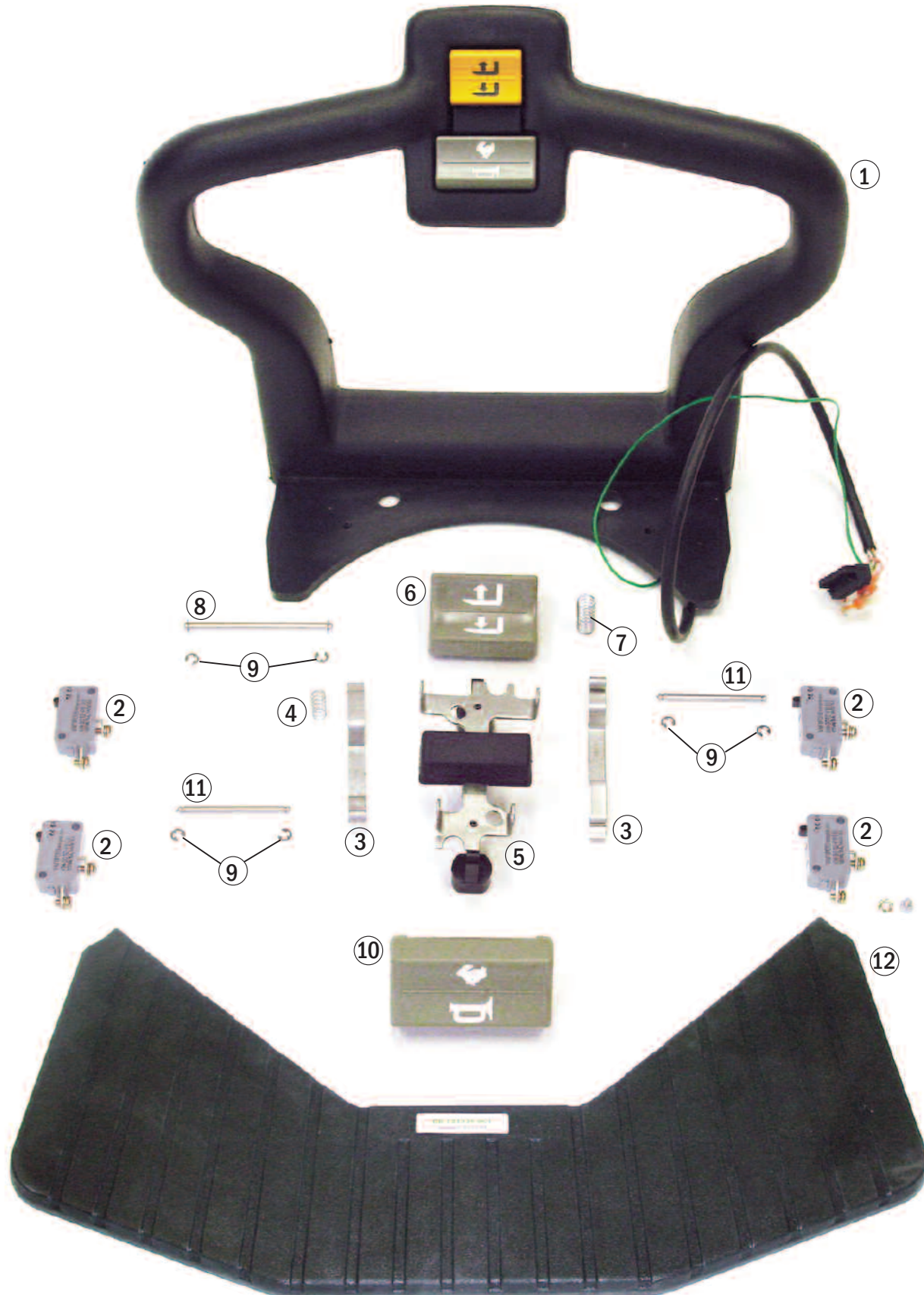
Handle Control Arm



Handle Control Arm

Item	Part No.	Description	Application
1	CR 115270	Handle control arm	
	CR 115269	Handle control arm	w/coast option
2	CR 74909	Handle return spring	2 required
3	CR 79791	Handle return spring	1 required
4	CR 73842	Handle bushing	2 required
5	CR 109528	Pivot shaft	
6	CR 115280	Cam	
7	CR 79564-009	Terminal block	
8	CR 116559	Control pod harness	Resistor Control
	CR 116476	Control pod harness	Resistor w/Quickpick
	CR 116560	Control pod harness	Resistor w/Freezer corrosion
	CR 116513	Control pod harness	Resistor w/QP and FC
	CR 116545	Control pod harness	Transistor (Curtis or Sevcon)
	CR 116546	Control pod harness	Transistor w/FC

Control Handle Arm/Grab Bar



Control Handle Arm/Grab Bar

Item	Part No.	Description	Application
1	CR 130641-001	Grab bar assembly	Resistor
	CR 130641-002	Grab bar assembly	Resistor, FC
	CR 130641-003	Grab bar assembly	Transistor
	CR 130641-004	Grab bar assembly	Transistor, FC
2	CR 89362	Switch	4 required
	CR 60064-003	Screw	
	CR 60005-036	Lockwasher	
3	CR 115407	Lever switch	
4	CR 115406	Spring	
5	CR 115402-001	Bracket	
6	CR 115408	Button, lift/lower	
7	CR 115405	Spring	
8	CR 115410-001	Button pin	
9	CR 60009-070	Retaining ring	
10	CR 115409	Button, horn/3rd speed	
11	CR 115410-002	Button pin	
12	CR 121329-001	Mat	
13	Not shown		
	CR 115412	Wiring Harness - grab bar to dist. panel	Curtis or Sevcon
	CR 115413	Wiring Harness - grab bar to dist. panel	Curtis or Sevcon with Freezer Corrosion
	CR 115916	Wiring Harness - grab bar to dist. panel	Resistor type

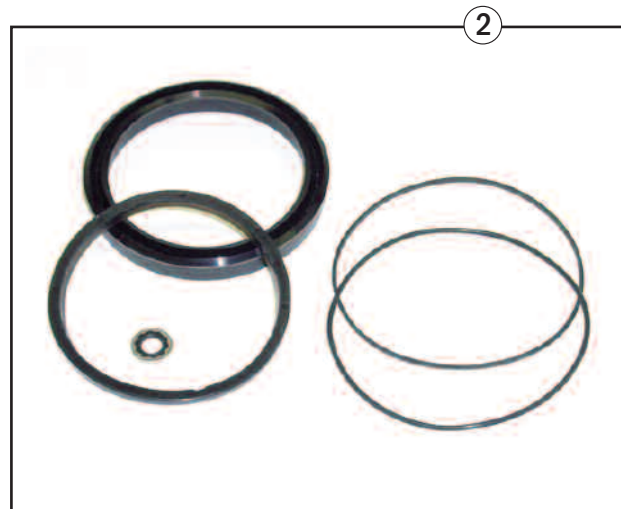
Hydraulic Power Unit



Hydraulic Power Unit

Item	Part No.	Description	Application
1	CR 116591	Pump and motor assembly	
2	CR 117492	Motor - Generic, 24V	Generic
	CR 116835	Brush holder	OEM motor only
	CR 103255	Brush spring	OEM motor only
	CR 116832	Brush set	OEM motor only
3	CR 84339	Check valve	
4	CR 084343	Starter switch	
5	CR 84344-001	Solenoid cartridge	Valve - 3way, 24V
6	CR 064013-001	Breather elbow	
7	CR 070550	Breather	
8	CR 064103-064	Hose assembly	
9	CR 64061-002	Elbow fitting	fits power unit
10	CR 64098-008	Elbow fitting	fits hydraulic cylinder
11	CR 117080	Relief valve Kit	
12	CR 084316	O-Ring	
13	CR 094544	Pump assembly	

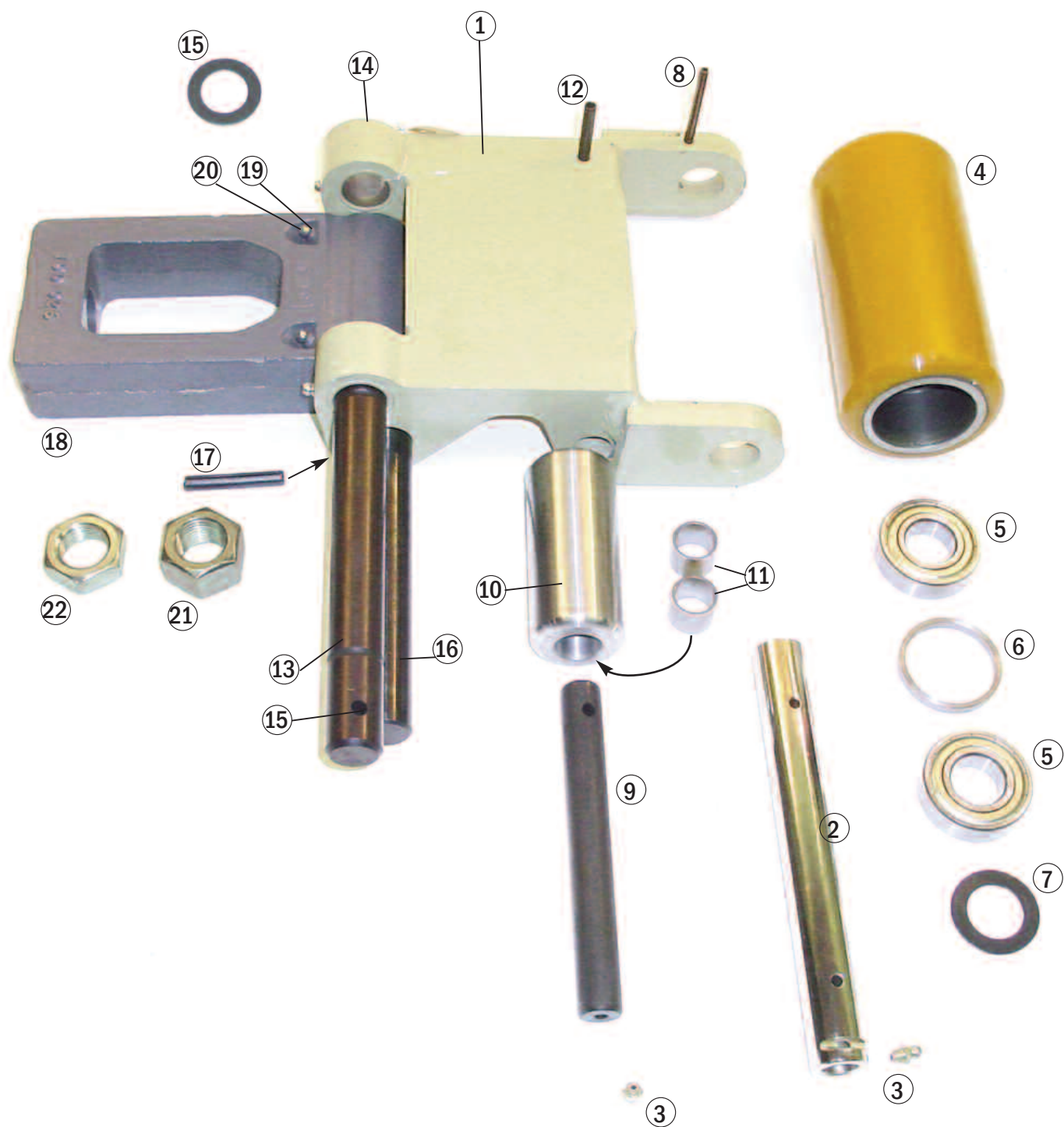
Lift Cylinder



Lift Cylinder

Item	Part No.	Description	Application
1	CR 115218	Lift Cylinder Assembly	
2	CR 116820	Seal kit	

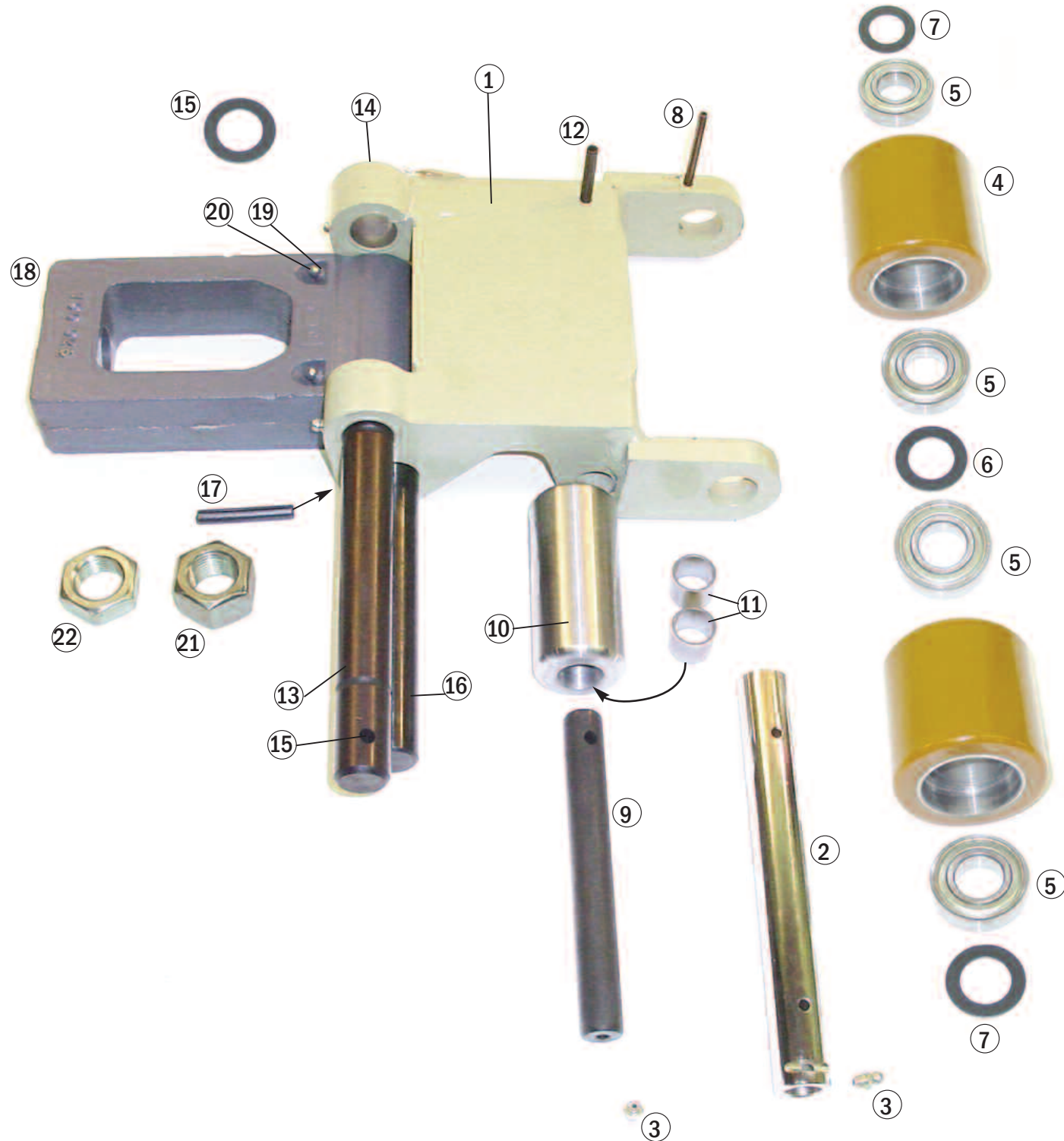
Riser Assembly - 9" and 10" Forks - Single Wheel



Riser Assembly - 9" and 10" Forks - Single Wheel

Item	Part No.	Description	Application
1	CR 115491	Riser	
2	CR 116802	Load roller axle	
3	CR 100779	Lube fitting	
4	CR 100462	Poly load wheel	Single load wheel
	GW 9141	Generic	Poly, 95-A
	GW 9141-A	Generic assembly	includes 4 bearings
	SU 9141	Superior	Poly, 95-A
	SU 9141-A	Superior assembly	includes 4 bearings
Please see pages 4-5 for a complete listing of wheels.			
5	CR 065081-021	Bearing	4 required
6	CR 100463	Spacer	2 required
7	CR 060030-050	Flatwasher	2 required
8	CR 060000-081	Roll pin	
9	CR 115509	Exit roller axle	
10	CR 115508	Exit roller	
11	CR 065117-003	Bushing	
12	CR 060000-036	Roll pin	
13	CR 115510	Frame pivot axle	
14	CR 065117-001	Bushing	
15	CR 060030-050	Flatwasher	
16	CR 115496	Tension bar axle	
17	CR 060000-109	Roll pin	
18	CR 115497	Tension bar end	
19	CR 089297	Lube fitting	
20	CR 089296	Lube tip	
21	CR 060021-096	Nut	
22	CR 060021-095	Jam nut	

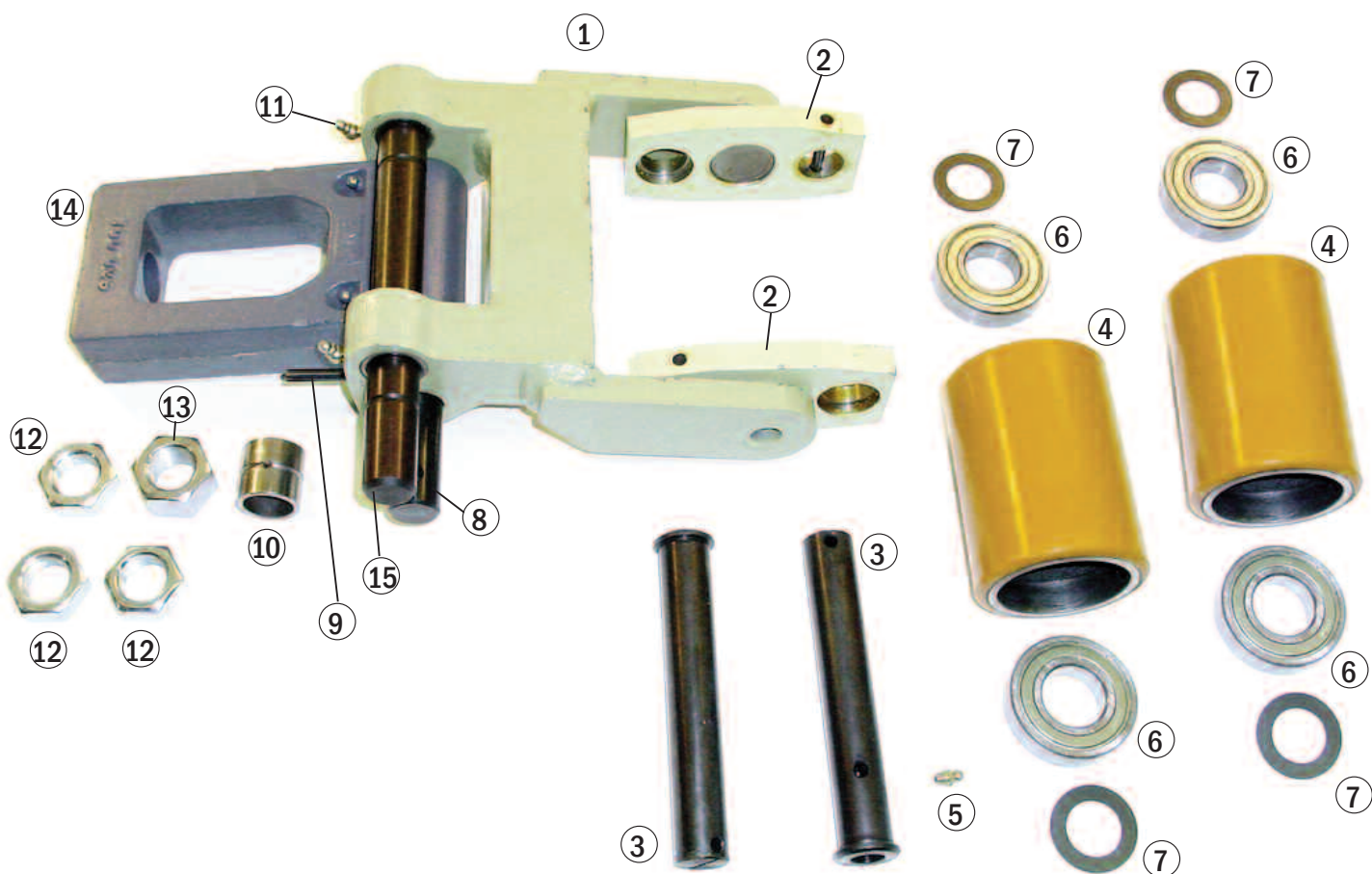
Riser Assembly - 9" and 10" Forks - Dual Wheels



Riser Assembly - 9" and 10" Forks - Dual Wheels

Item	Part No.	Description	Application
1	CR 115491	Riser	
2	CR 116802	Load roller axle	
3	CR 100779	Lube fitting	
4	CR 077084	Poly load wheel	Dual load wheel
	GW 9133	Generic	Poly, 95-A
	GW 9133-A	Generic assembly	includes bearings
	SU 9133	Superior	Poly, 95-A
	SU 9133-A	Superior assembly	includes bearings
Please see pages 4-5 for a complete listing of wheels.			
5	CR 065081-021	Bearing	4 required
6	CR 100463	Spacer	
7	CR 060030-050	Flatwasher	2 required
8	CR 060000-081	Roll pin	
9	CR 115509	Exit roller axle	
10	CR 115508	Exit roller	
11	CR 065117-003	Bushing	
12	CR 060000-036	Roll pin	
13	CR 115510	Frame pivot axle	
14	CR 065117-001	Bushing	
15	CR 060030-050	Flatwasher	
16	CR 115496	Tension bar axle	
17	CR 060000-109	Roll pin	
18	CR 115497	Tension bar end	
19	CR 089297	Lube fitting	
20	CR 089296	Lube tip	
21	CR 060021-096	Nut	
22	CR 060021-095	Jam nut	

Riser Assembly - 9" and 10" Forks - Tandem Wheels



Riser Assembly - 9" and 10" Forks - Tandem Wheels

Item	Part No.	Description	Application
1	CR 116793	Riser	Tandem
2	CR 101697	Side plate	2 required
3	CR 116802	Load roller axle	
4	CR 077084	Poly load wheel	Tandem
	GW 9135	Generic	Poly 95-A
	GW 9135-A	Generic assembly	includes bearings
	SU 9135	Superior	Poly 95-A
	SU 9135-A	Superior assembly	includes bearings
Please see pages 4-5 for a complete listing of wheels.			
5	CR 100779	Lube fitting	
6	CR 065081-021	Bearing	2 required per wheel
7	CR 060030-050	Flatwasher	2 required
8	CR 115496	Axle	Tension bar
9	CR 060000-109	Roll pin	
10	CR 065117-001	Bushing	
11	CR 089297	Lube fitting	
12	CR 060021-096	Nut	
13	CR 060021-095	Jam nut	
14	CR 115497	Tension bar end	
15	CR 115510	Axle	frame pivot axle

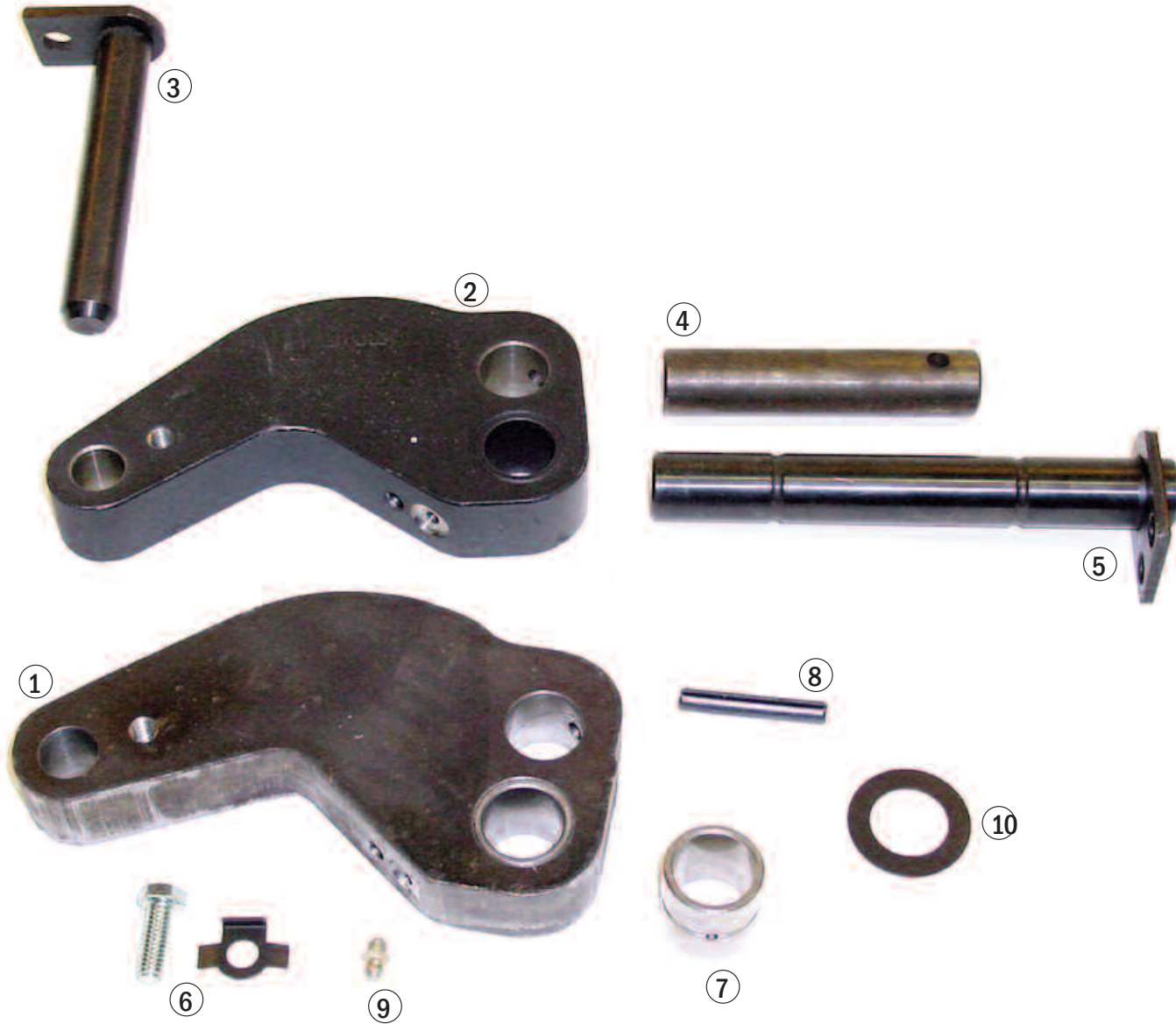
Riser Assembly - 7" Forks - Tandem Wheels



Riser Assembly - 7" Forks - Tandem Wheels

Item	Part No.	Description	Application
1	CR 93306	Riser	
2	CR 116993	Axle	
3	CR 116996	Axle	
4	CR 111629	Side plate	
5	CR 060000-081	Roll pin	
6	CR 116994	Axle	
7	CR 77084	Poly load wheel	Dual Poly 95-A
	GW 9133	Generic	
	GW 9133-A	Generic assembly	includes bearings
	SU 9133	Superior	Poly, 95-A
	SU 9133-A	Superior assembly	includes bearings
(see pages 4 and 5 for complete list of available load wheels)			
8	CR 65081-021	Bearing	2 required per wheel
9	CR 060030-050	Flatwasher	2 required per wheel

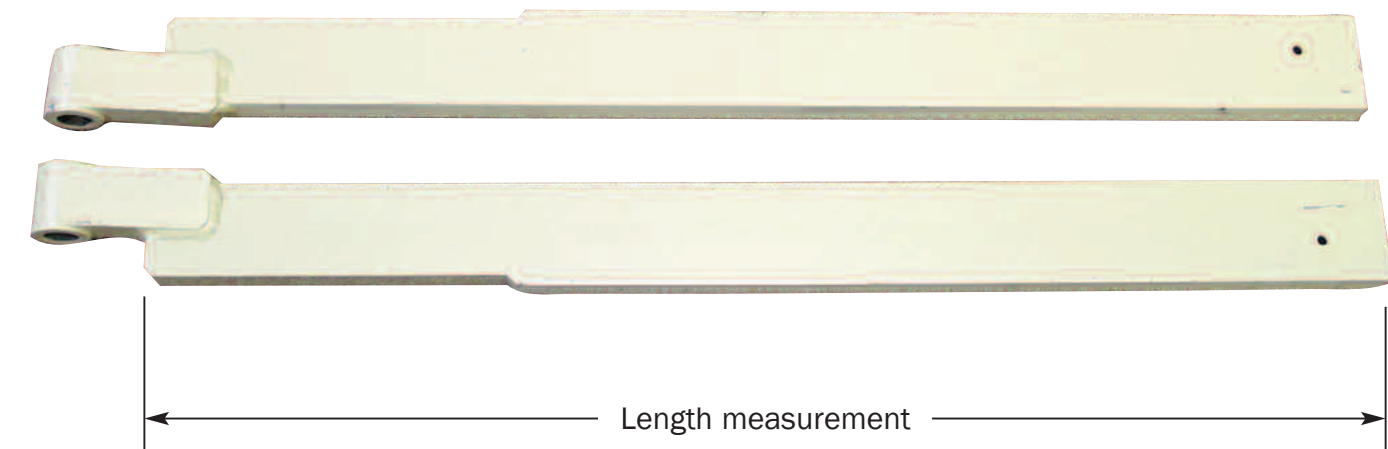
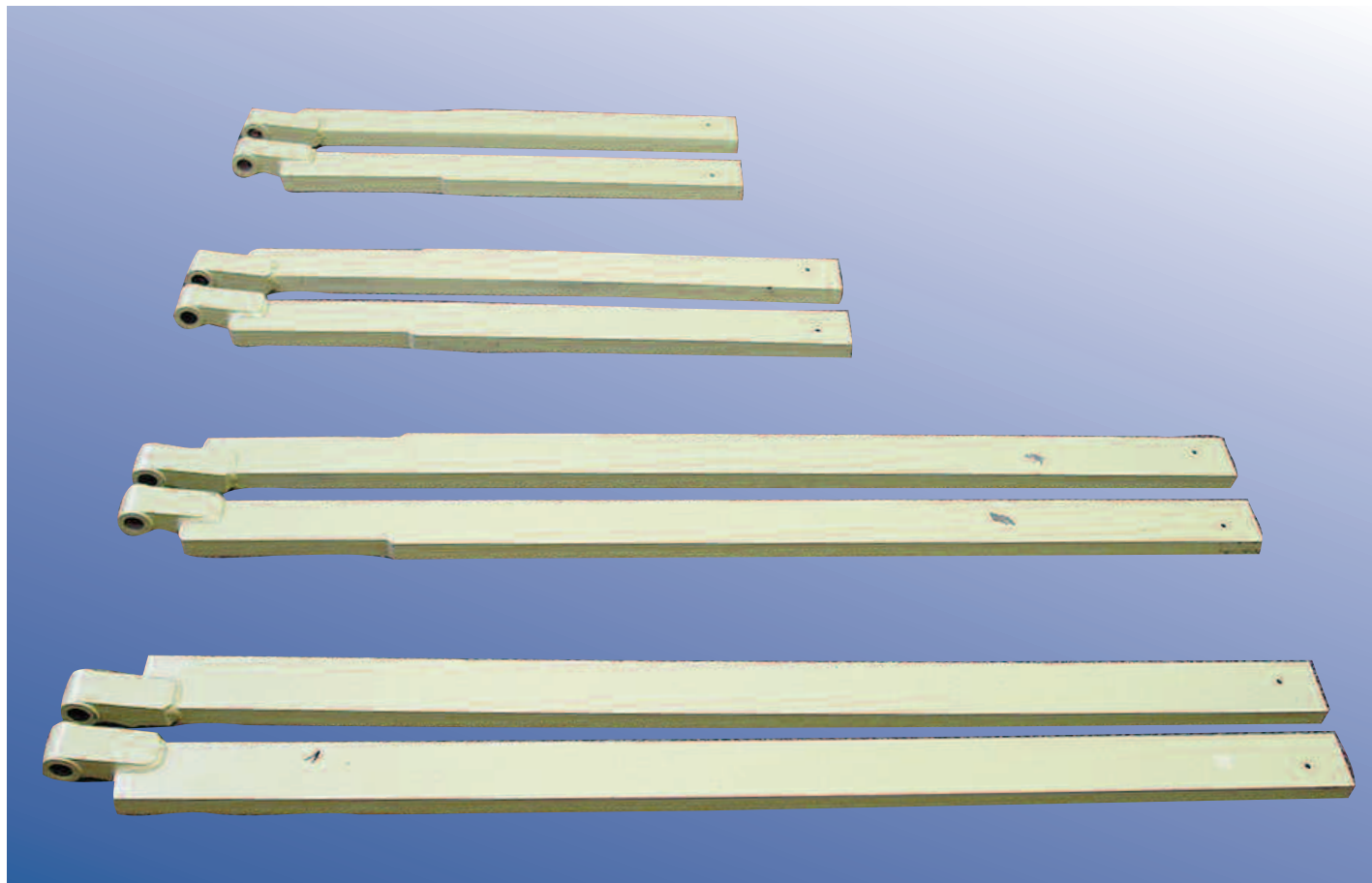
Rear Linkage



Rear Linkage

Item	Part No.	Description	Application
1	CR 115516	Inboard link	includes bushing
2	CR 115517	Outboard link	includes bushing
3	CR 115518	Axle	
4	CR 115521	Shaft	
5	CR 115515	Pivot axle	
6	CR 127349	Clip	
	CR 060017-007	Screw	
7	CR 065117-001	Bushing	
8	CR 060000-109	Roll pin	
9	CR 076048	Lube fitting	
10	CR 060030-050	Flatwasher	

Tension Bars



Tension Bars

Fork Length	Tip Type	Fork Spread	Bar Length		Part #
Single Axle, 13.19" wide battery compartment, 24V					
42"	Standard	22.12" or 27.12"	29.75"	Right	125237-013
				Left	125237-014
48"	Standard	22.12" or 27.12"	35.75"	Right	125237-019
				Left	125237-020
96"	Extended	23" or 28"	55.75"	Right	125237-079
				Left	125237-080
96"	Extended	24" or 27"	55.75"	Right	125237-081
				Left	125237-082

All other tension bars fabricated on request.



1 Threaded bar



2 Jam nut

Item	Part No.	Description	Application
1	CR 115883	Threaded bar	
2	CR 060021-095	Jam nut	

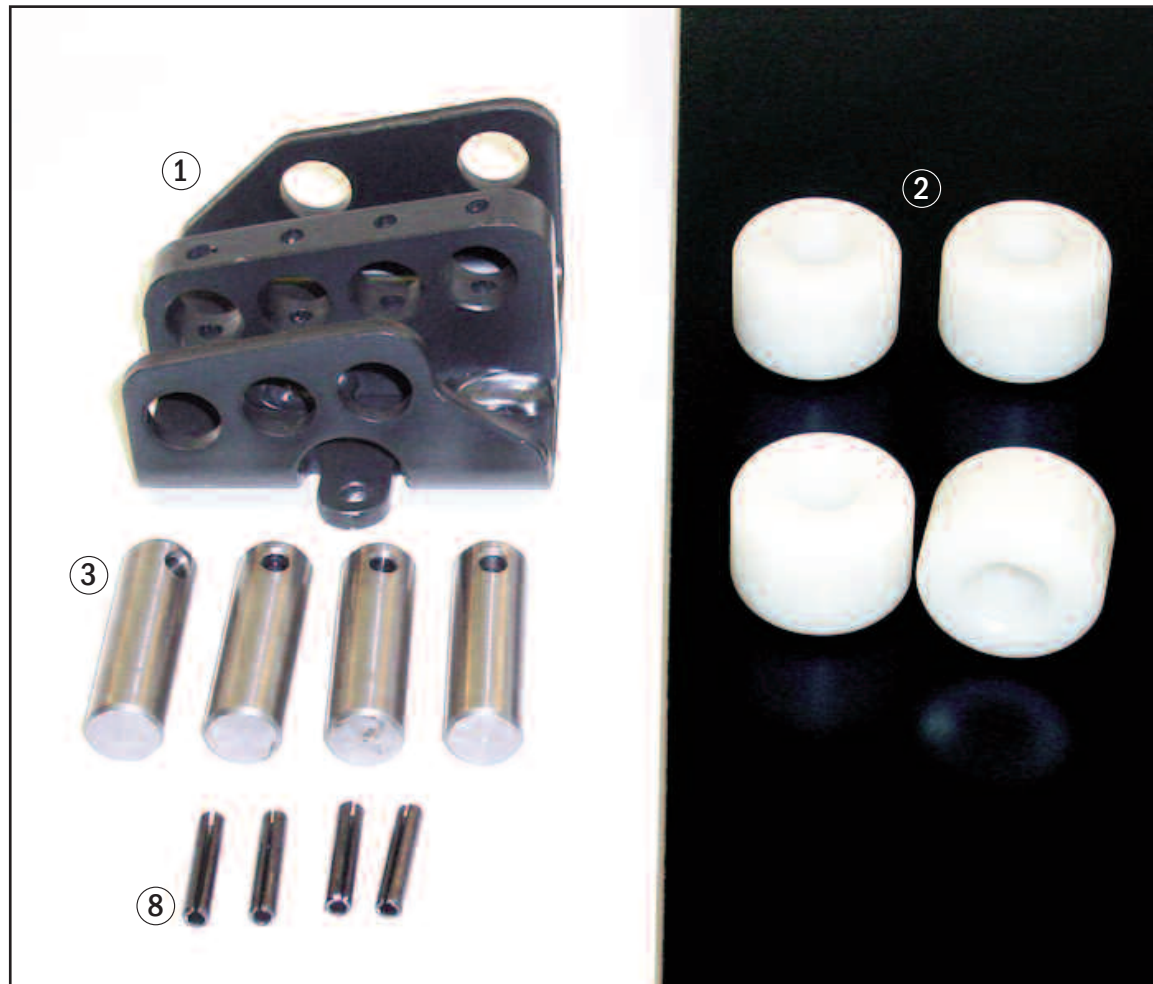
Entry Rollers



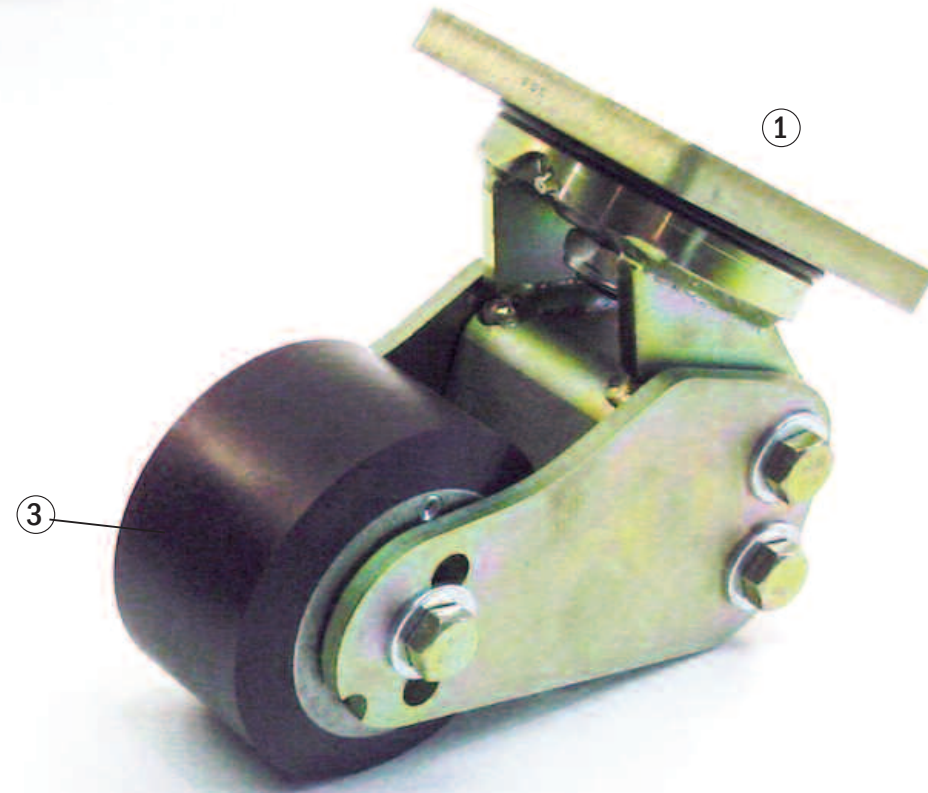
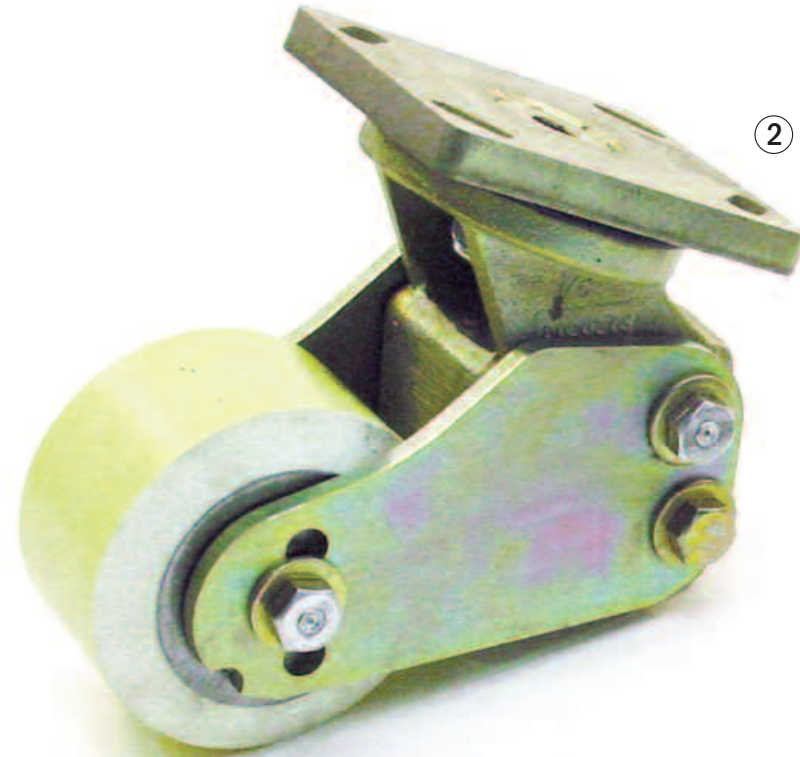
Entry Rollers

used on Standard Tip Forks only

Item	Part No.	Description	Application
1	CR 080194	Entry wheel bracket assy	standard tip forks only
2	CR 080192	Entry wheels	
3	CR 080191	Axle	
4	CR 060017-003	3/8" Screw	
5	CR 060005-038	Lockwasher	
6	CR 060038-006	Cotter pin	
7	CR 060030-049	Flat washer	
8	CR 060000-024	Roll pin	



Casters - Standard



Casters - Standard

Item	Part No.	Description	Application
1	CR 82694 STR 2001	Caster assembly Superior	Standard, 95-A
2	CR 82694 STR 2001FS	Caster assembly Superior	Food service, grease axle, 97-A
3	CR 83179 GW 9143-A	Caster wheel Generic	includes bearings, washers

Casters - Quick Adjustment



Casters - Quick Adjustment

Item	Part No.	Description	Application
1	CR 115374-001	Quick adjustment caster	with tension bar, set
2	CR 115374-002	Quick adjustment caster	w/o tension bar, set
3	CR 083179	Caster wheel assembly	
	GW 9143-A	Generic	includes bearings, washers
	CR 115368	Axle w/ lube fitting	Freezer/corrosion
	CR 060000-030	Roll pin	



800-462-2370
Fax 800-366-5939
www.SuperStoresService.com