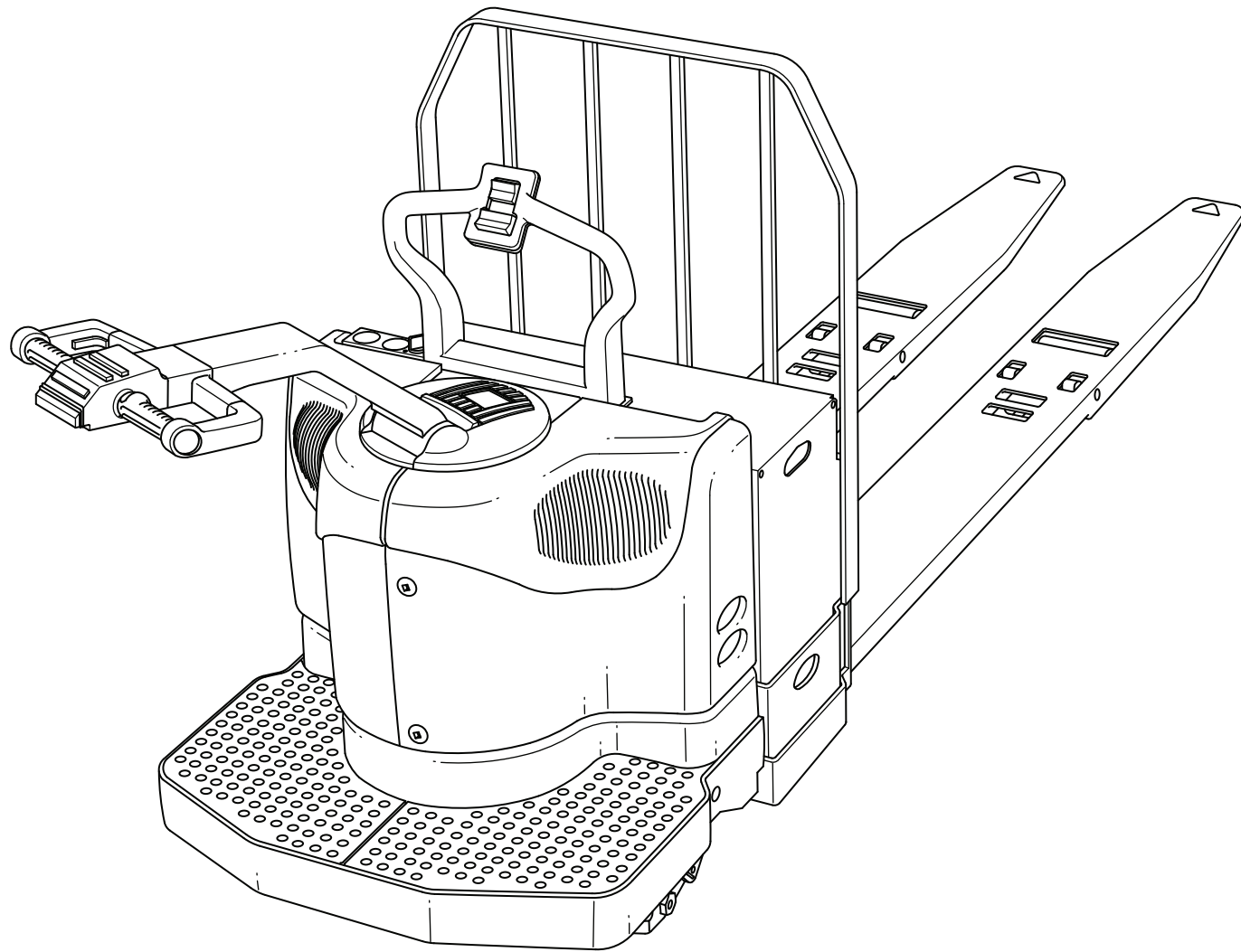


Replacement Parts for Crown PE 4000 Series



Truck Data Nomenclature

Standard/Special Truck

- = Standard, S = Special, C = Custom

Fork Width

Fork Length

Fork Tip

- = Standard, T = Tandem, E=Extended

Battery Compartment

N = Narrow 6.69" or 7.94" (170 or 200mm), W = Wide 13.19" (335mm)

Axle

- = Single, T = Tandem

Freezer/Corrosion

- = Without Conditioning, F = Freezer Condition, C = Corrosion Condition

Control

- = Resistor, C = Curtis Transistor, S = Sevcon Transistor

Casters

- = Standard, A = Quick Adjustment,

T = Quick Adjustment w/Torsion Bar

Drive Tires

RU = Rubber, Black-Lugged	CP = Poly, Cream-Smooth
SR = Rubber, Black-Siped	** = Special
WR = Rubber, White-Lugged	AP = 5.5" Wide Poly
LR = Rubber, Fiberglass	DP = Diamond Siped Poly
impregnated	HP = High Crown Poly
PO = Poly, Black-Smooth	RP = Razor Siped Poly
SP = Poly, Black-Siped	RL = Lugged Rubber
GP = Poly, Black-Grooved	RS = Smooth Rubber

- 27 48 E W S - C T RU BD - A - R C

Meter Options

DM = Discharge Volt Meter	HD = Hour & Discharge Volt Meter
KE = Key Only	BD = Unigage (Integral Hour, Volt & Battery Interrupt)
HM = Hour Meter	

Internal Hour Meter

- = Without Meter, I = Internal Hour Meter

Travel Alarm

- = Without Travel Alarm, A = Travel Alarm

Key/Toggle Switch

- = Key Switch, T = Toggle Switch

Battery Rollout

- = Without Battery Rollout, R = Battery Rollout, I = Battery Rollout & Battery Retainer Switches

Storage Compartment

- = Without Storage, B= Storage Mounted on Load Backrest, C = Storage Mounted on Battery Cover

Contents

Quick Wheel Lookup 4

Electrical

Battery Connectors	6
Console/Meters	8
Motor Controller/Contactors	10

Drive Unit/Brakes

Drive Unit	12
Brakes	14
Motors	16

Control Pod

Standard	18
Quickpick	20
Freezer Corrosion	22
Quickpick and Freezer Corrosion	24

Control Arm

(Incl. Brake Activation & Wiring Harness) 26

Control Grab Bar

28

Hydraulic System

30

Frame and Undercarriage

32

Casters

Shim Free	34
Quick Adjustment	36



Quick Wheel Lookup

Quick Wheel Lookup

OEM #	Wheel Type	Manuf.	Part #	Description	Wheel OD in/mm	Tread Width in/mm	Hub Width in/mm	Hub ID in/mm	Bearing OD in/mm	Bearing #	Material/ Color
CR 100462-A	Load Wheel	Generic	GW 9141-A	Poly Load Wheel-Single, incl. Bearings	3.250 / 83	6.500 / 165	6.500 / 165		2.047 / 52	6205 (4)	Scotch, 95-A
CR 77084-A	Load Wheel	Generic	GW 9133-A	Poly Load Wheel-Dual, incl. Bearings	3.250 / 83	3.250 / 83	3.250 / 83		2.047 / 52	6205	Scotch, 95-A
CR 77086-A	Load Wheel	Generic	GW 9135-A	Poly Load Wheel-Tandem, incl. Bearings	3.250 / 83	5.000 / 127	5.000 / 127		2.047 / 52	6205	Scotch, 95-A
CR 79494	Drive Tire	Superior	SU 13x4.5-FT-P	Poly Drive Tire-Smooth Flat	13 / 330	4.50 / 114		8.00 / 203			Maroon, 95-A
	Drive Tire	Superior	SU 13x4.5x8-SC-EZ	Poly Drive Tire-Smooth Crown							Red, 85-A
	Drive Tire	Superior	SU 13x4.5x8-TSW-EZ	Poly Drive Tire-Smooth Tapered							Red, 85-A
	Drive Tire	Stellana	ST 13x4.5x8-FS-P	Poly Drive Tire-Flat Smooth Premium							Yellow, 85-A
CR 74458	Drive Tire	Superior	SU 13.5x5.5x8-SF-R	Rubber Drive Tire-Smooth Flat	13.50 / 343	5.50 / 140	8.00 / 203				Black
	Drive Tire	Superior	SU 13.5x5.5x8-TF-R	Rubber Drive Tire-Traction							Black
	Drive Tire	Falcon	RT 133	Rubber Drive Tire-Smooth Flat							Black
CR 83179-050	Caster Wheel Assy	Generic	GW 9143-A-R	Poly Caster Wheel, incl. Bearings	4.00 / 102	2.50 / 63				6205	Scotch, 95-A

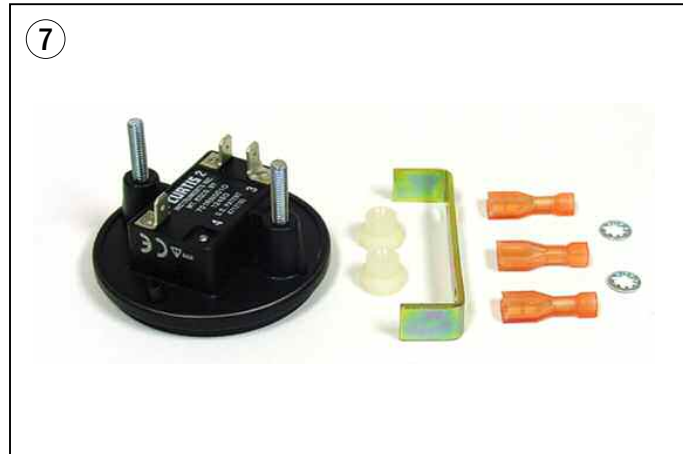
Electrical - Battery Connectors



Electrical - Battery Connectors

Item	Part No.	Description
1	AN 940	175 Amp gray housing
	AN 941	175 Amp blue housing
	AN 943	175 Amp yellow housing
	AN 949	175 Amp red housing
2	AN 6325G1	175 Amp gray connector w/contacts
	AN 6326G1	175 Amp blue connector w/contacts
	AN 6328G1	175 Amp yellow connector w/contacts
	AN 6329G1	175 Amp red connector w/contacts
3	AN 906	350 Amp gray housing
	AN 912	350 Amp blue housing
	AN 914	350 Amp yellow housing
	AN 913	350 Amp red housing
4	AN 6320G1	175 Amp gray connector w/contacts
	AN 6321G1	175 Amp blue connector w/contacts
	AN 6323G1	175 Amp yellow connector w/contacts
	AN 6329G1	175 Amp red connector w/contacts
5	AN 944	175 Amp contacts, set (2)
	AN 917	350 Amp contacts, set (2)
6	AN 256	Connector handle, 175/350 Amp, includes screws

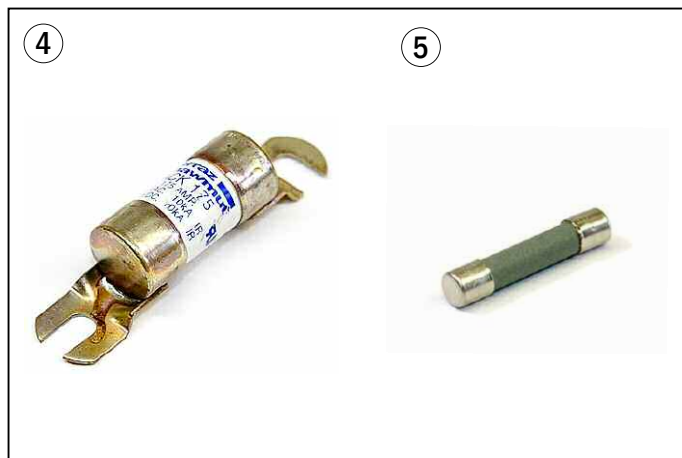
Electrical - Console/Meters



Electrical - Console/Meters

Item	Part No.	Description
1	CR 072708	Ignition switch w/keys
2	CR 072708-OEM	Ignition switch w/keys
3	CR 107151-001	Replacement key
4	CR 107151-001-OEM	Replacement key, Original
5	CR 130600-001	Battery discharge indicator
6	CR 130600-002	Battery discharge indicator F/C (not shown)
7	CR 113773-001	Hour meter, 3 term, 9-60V Round Curtis
8	CR 062595-001	Fan switch
9	CR 062595-002	Light switch
10	CR 115565	Travel alarm
11	CR 129244-001	Horn - electronic

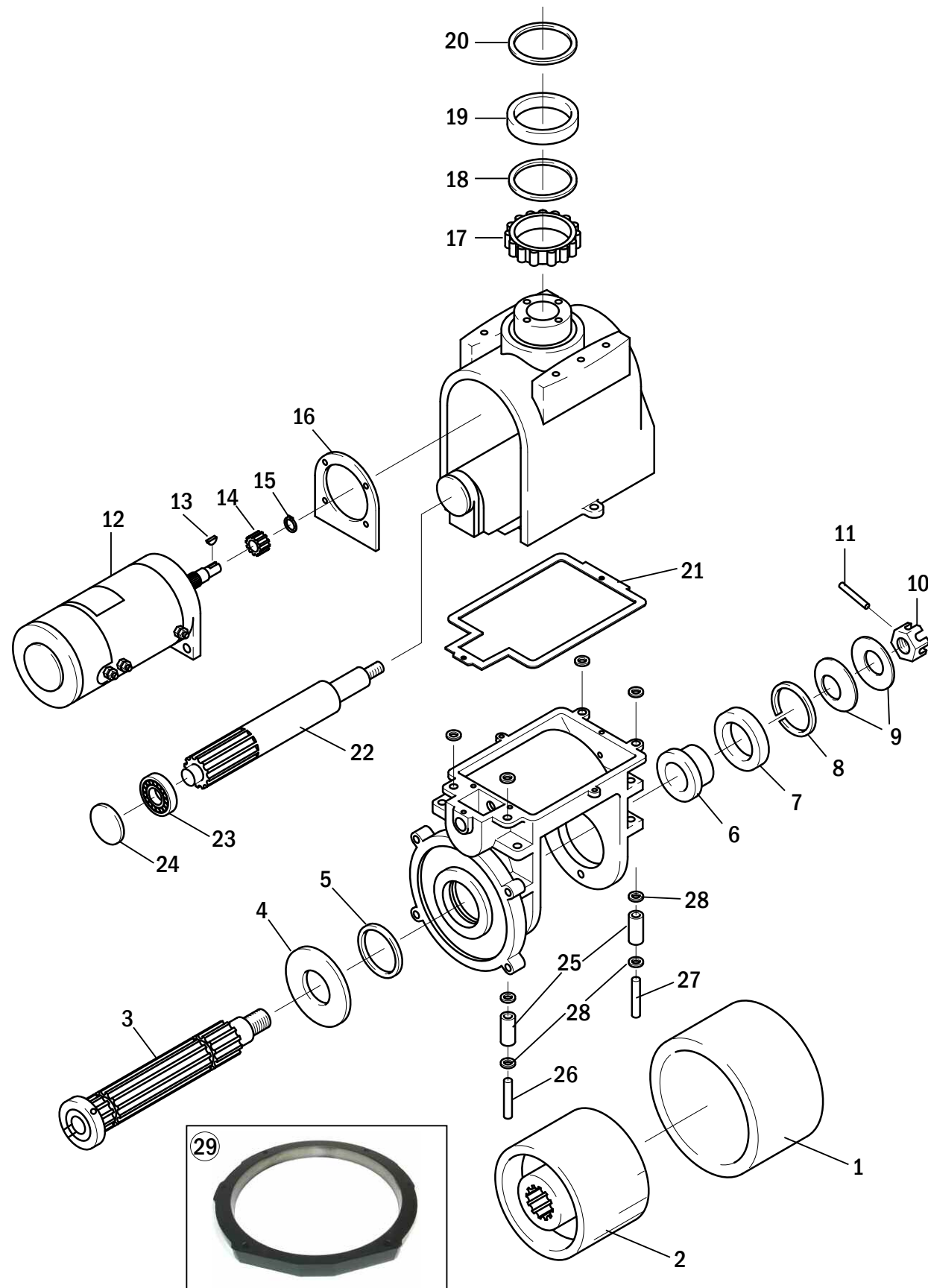
Electrical - Motor Controller/Contactors



Electrical - Motor Controller/Contactors

Item	Part No.	Description	Application
1	CR 130614-R	Motor controller - renewed	
	CR 130614-C	Core charge	
2	CR 110613-002	Main contactor	
3	CR 120091	Contact tip kit	
4	CR 076924-006	Fuse, 175 Amp.	
5	CR 094362-002	Fuse, 15 Amp	

Drive Unit/Brakes - Drive Unit



Drive Unit/Brakes - Drive Unit

Item	Part No.	Description
1	CR 79494	Poly drive tire, 13" x 4.5" x 8", smooth flat
	CR 74458	Rubber drive tire, 13.5" x 5.5" x 8", smooth flat
		Rubber drive tire, 13.5" x 5.5" x 8", traction
2	CR 113361	Hub
3	CR 113356	Axle
4	CR 90724	Slinger
5	CR 93613	Seal
6	CR 113359-001	Adaptor bearing
7	CR 65081-055	Bearing
8	CR 60009-040	Retaining ring
9	CR 113367	Washer
10	CR 60021-039	Nut
11	CR 60000-022	Roll pin
12		Drive motor - see page 17
13	CR 61008-002	Key
14	CR 074784	Pinion gear PC3500, PE 3500, PR 3000
	CR 079497	Pinion gear PE 3500 w/high speed option, all PE 4000
15	CR 60009-011	Retaining ring
16	CR 073432	Gasket
17	CR 077015	Bearing cone
18	CR 073817	Felt seal
19	CR 077014	Bearing cup
20	CR 073818	Felt seal
21	CR 109561	Gasket
22	CR 073439	Pinion shaft
23	CR 073442	Bearing
24	CR 060026-004	Expansion plug
25	CR 106527	Roller assembly, incl. bearings
26	CR 113365	Roller shaft
27	CR 113366	Roller shaft
28	CR 060030-224	Washer
29	CR 126397-004	Roller race

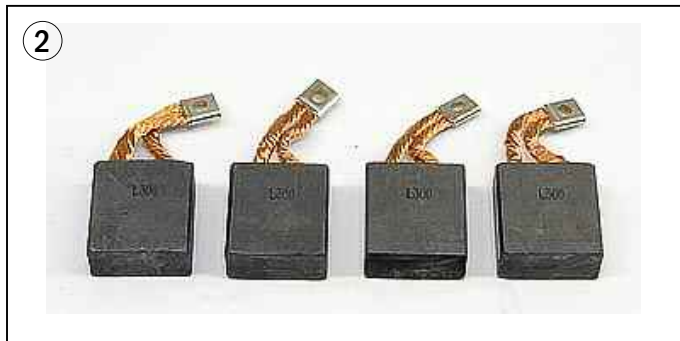
Drive Unit/Brakes - Brakes



Drive Unit/Brakes - Brakes

Item	Part No.	Description
1	CR 080968	Brake drum
2	CR 080675	Split bushing
3	CR 109597	Brake shoe
4	CR 102897	Spring
5	CR 102898	Camshaft
6	CR 109598	Plate
7	CR 102894	Brake lever

Drive Unit/Brakes - Motors



Drive Unit/Brakes - Motors

Item	Part No.	Description	Application
Traction Motor			
1	CR 021010-R	Traction Motor, renewed	
2	CR 113328	Brush kit, includes (4) brushes	
3	CR 113329	Spring kit, includes (4) springs	
4	CR 126426-AM	Lift Pump Motor - After-market	
5	CR 125789	Brush & spring kit, includes (4) brushes and (4) springs	
6	CR 128742	Brush holder	
7	CR 084343	Solenoid switch	

Control Pod - Standard



Control Pod - Standard

Item	Part No.	Description	Item	Part No.	Description
1	CR 115331	Yoke	37	CR 060030-190	Flatwasher .03" thick
2	CR 089317	Pod	38	CR 089356	Cam
3	CR 126940	Grip	39	CR 089548	Spacer
4	CR 060000-108	Roll pin	40	CR 089514	Plate
5	CR 093904-001	Cap button	41	CR 088611-002	Collar
6	CR 089324-001	Red body button	42	CR 131105	Torsion spring
7	CR 088975	Bellows	43	CR 088611-002	Collar
8	CR 060032-035	Self tapping screw	44	CR 089509	Stop
9	CR 093068	Retainer	45	CR 060011-027	Screw #4
10	CR 080695	Spring	46	CR 060011-021	Screw #4
11	CR 060032-032	Self tapping screw	47	CR 118901	Switch
12	CR 060012-023	Screw #6	48	CR 088753-003	Cover unit
13	CR 073375	Switch	49	CR 117267-002	Lower button
14	CR 089521	Bar	50	CR 117267-001	Raise button
15	CR 092224	Split bushing	51	CR 117267-003	Horn button
16	CR 060030-163	Flat washer	53	CR 073384	Spring
17	CR 089510	Bushing			
18	CR 080275	Pinion			
19	CR 060021-010	Nut			
20	CR 089532	Bracket			
21	CR 060005-010	Lockwasher			
22	CR 076649-002	Insulator			
23	CR 089529	Plate			
24	CR 089549	Insulator			
25	CR 125209	Potentiometer, Accelerate			
26	CR 060000-075	Roll pin			
27	CR 060032-037	Self tapping screw			
28	CR 087144	Cover			
29	CR 114003	Insulator			
30	CR 116329	Extension (not shown)			
31	CR 089342	Spacer			
32	CR 118901	Switch FS & RS			
33	CR 089336	Bracket			
34	CR 060014-006	Screw #10			
35	CR 060011-022	Screw #4			
36	CR 089298-002	Rod			

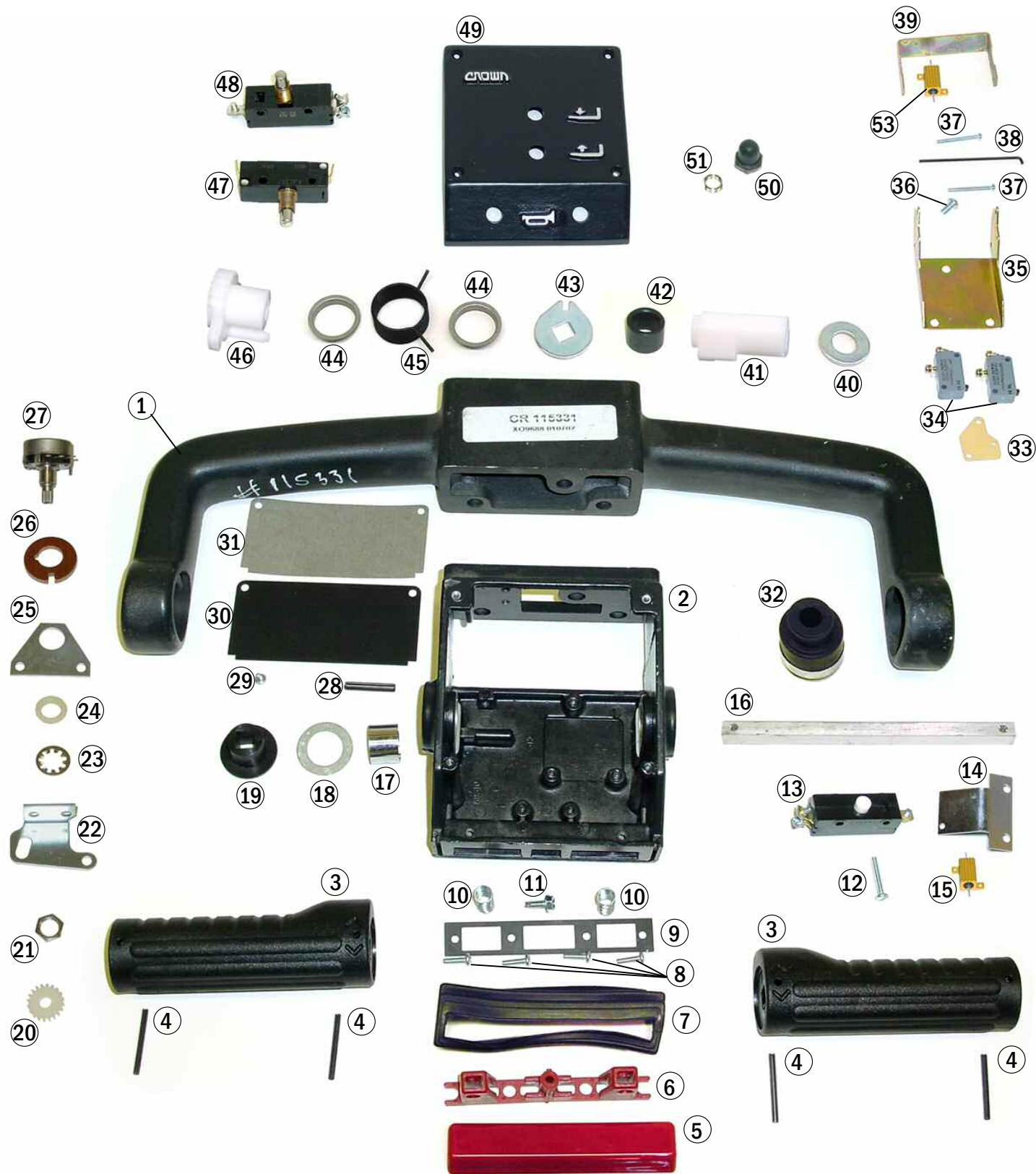
Control Pod - Quickpick



Control Pod - Quickpick

Item	Part No.	Description	Item	Part No.	Description
1	CR 113387	Yoke	39	CR 113352	Switch
2	CR 089317	Pod	40	CR 089336	Bracket
3	CR 115675	Grip	41	CR 060014-006	Screw #10
4	CR 060000-108	Roll pin	42	CR 060011-022	Screw #4
5	CR 093904-001	Cap button	43	CR 089298-001	Rod
6	CR 089324-001	Red body button	44	CR 060030-190	Flatwasher
7	CR 088975	Bellow	45	CR 089356	Cam
8	CR 060032-035	Self tapping screw	46	CR 089548	Spacer
9	CR 093068	Retainer	47	CR 089514	Plate
10	CR 080695	Spring	48	CR 088611-002	Collar
11	CR 060032-032	Self tapping screw	49	CR 131105	Torsion spring
12	CR 060012-023	Screw #6	50	CR 089509	Stop
13	CR 073375	Switch	51	CR 125209	Potentiometer
14	CR 089521	Bar	52	CR 089549	Insulator
15	CR 092224	Split bushing	53	CR 089529	Plate
16	CR 060030-163	Flat washer	54	CR 076649-002	Insulator
17	CR 089510	Bushing	55	CR 060005-010	Lockwasher
18	CR 087144	Cover	56	CR 089532	Bracket
19	CR 114003	Insulator	57	CR 060021-010	Nut
20	CR 060032-037	Self tapping screw	58	CR 080275	Pinion
21	CR 060000-075	Roll pin	59	CR 118901	Switch
22	CR 113425-001	Cover, left	60	CR 088753-003	Cover
23	CR 113425-002	Cover, right	61	CR 117267-002	Lower button
24	CR 117269	Outer button	62	CR 117267-001	Raise button
25	CR 108693	Spring	63	CR 117267-003	Horn button
26	CR 089362	Switch	64	CR 073384	Spring
27	CR 089362	Switch			
28	CR 113432	Insulator			
29	CR 113434	Insulator			
30	CR 060045-020	Shoulder bolt			
31	CR 117270	Button			
32	CR 073384	Spring			
33	CR 115676	Extension			
34	CR 113431	Insulator			
35	CR 113433	Insulator			
36	CR 089362	Switch			
37	CR 089362	Switch			
38	CR 089342	Spacer			

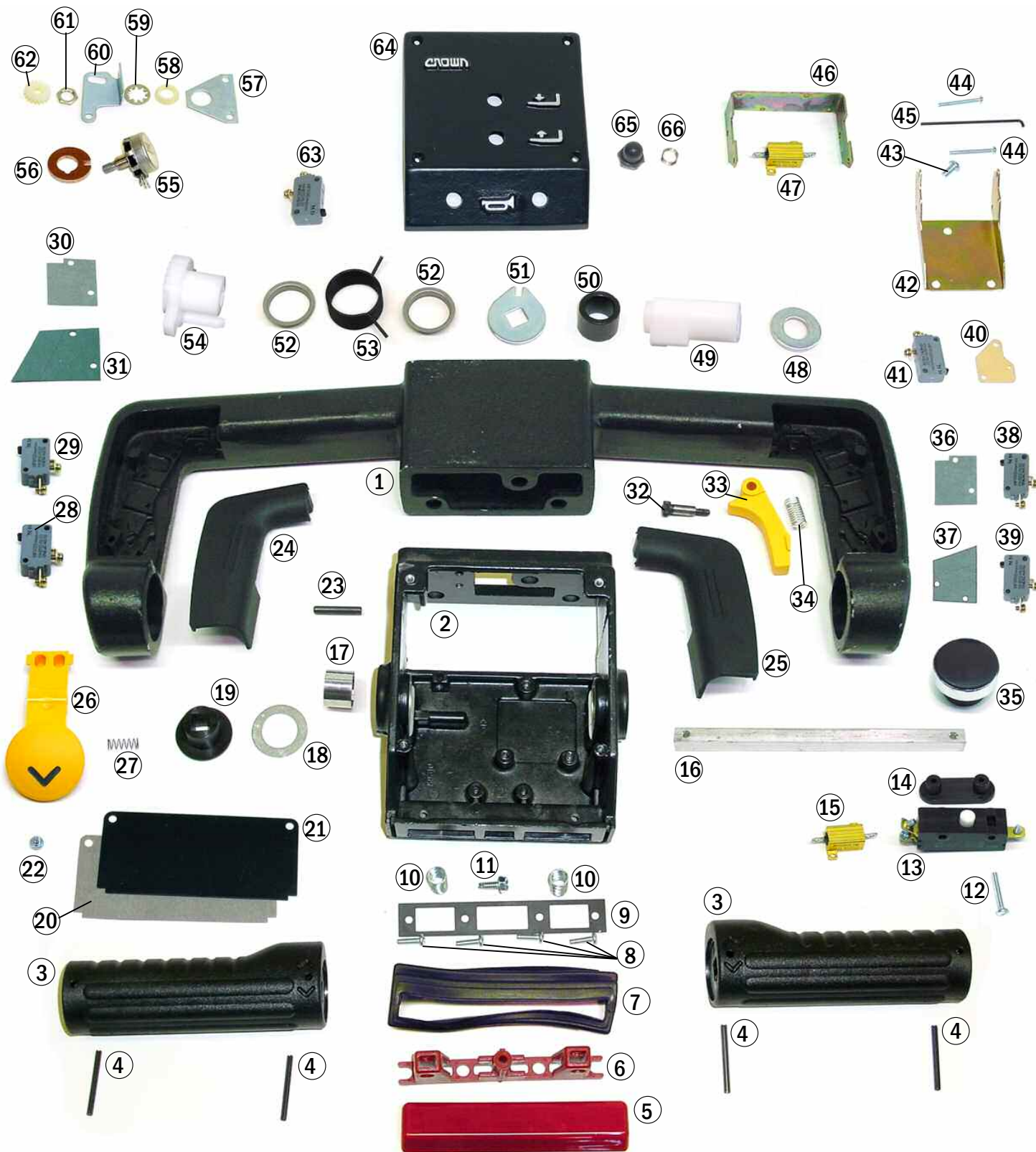
Control Pod - Freezer Corrosion



Control Pod - Freezer Corrosion

Item	Part No.	Description	Item	Part No.	Description
1	CR 115331	Yoke	39	CR 093492-001	Bracket
2	CR 089317	Pod	40	CR 060030-190	Flatwasher
3	CR 126940	Grip	41	CR 089356	Cam
4	CR 060000-108	Roll pin	42	CR 089548	Spacer
5	CR 093904-001	Cap button	43	CR 089514	Plate
6	CR 089324-001	Red button body	44	CR 088611-002	Collar
7	CR 088975	Bellow	45	CR 131105	Torsion spring
8	CR 060032-035	Self tapping screw	46	CR 089509	Stop
9	CR 093068	Retainer	47	CR 101589	Switch horn
10	CR 080695	Spring	48	CR 078879	Switch, lower and raise
11	CR 060032-032	Self tapping screw	49	CR 101735-002	Cover
12	CR 060012-023	Screw #6	50	CR 075585	Seal
13	CR 073375	Switch	51	CR 077635	Adaptor
14	CR 93887	Bracket mounting	53	CR 062033-013	Resistor
15	CR 062033-013	Resistor			
16	CR 089521	Bar			
17	CR 092224	Split bushing			
18	CR 060030-163	Flatwasher			
19	CR 089510	Bushing			
20	CR 080275	Pinion			
21	CR 060021-010	Nut			
22	CR 089532	Bracket			
23	CR 060005-010	Lockwasher			
24	CR 076649-002	Insulator			
25	CR 089529	Plate			
26	CR 089549	Insulator			
27	CR 125209	Potentiometer			
28	CR 060000-075	Roll pin			
29	CR 060032-037	Self tapping screw			
30	CR 087144	Cover			
31	CR 114003	Insulator			
32	CR 116329	Extension			
	CR 092223	Bushing - not shown			
33	CR 089342	Spacer			
34	CR 118901	Switch			
35	CR 089336	Bracket			
36	CR 060014-006	Screw #10			
37	CR 060011-021	Screw #4			
38	CR 089298-002	Rod			

Control Pod - Quickpick - Freezer Corrosion

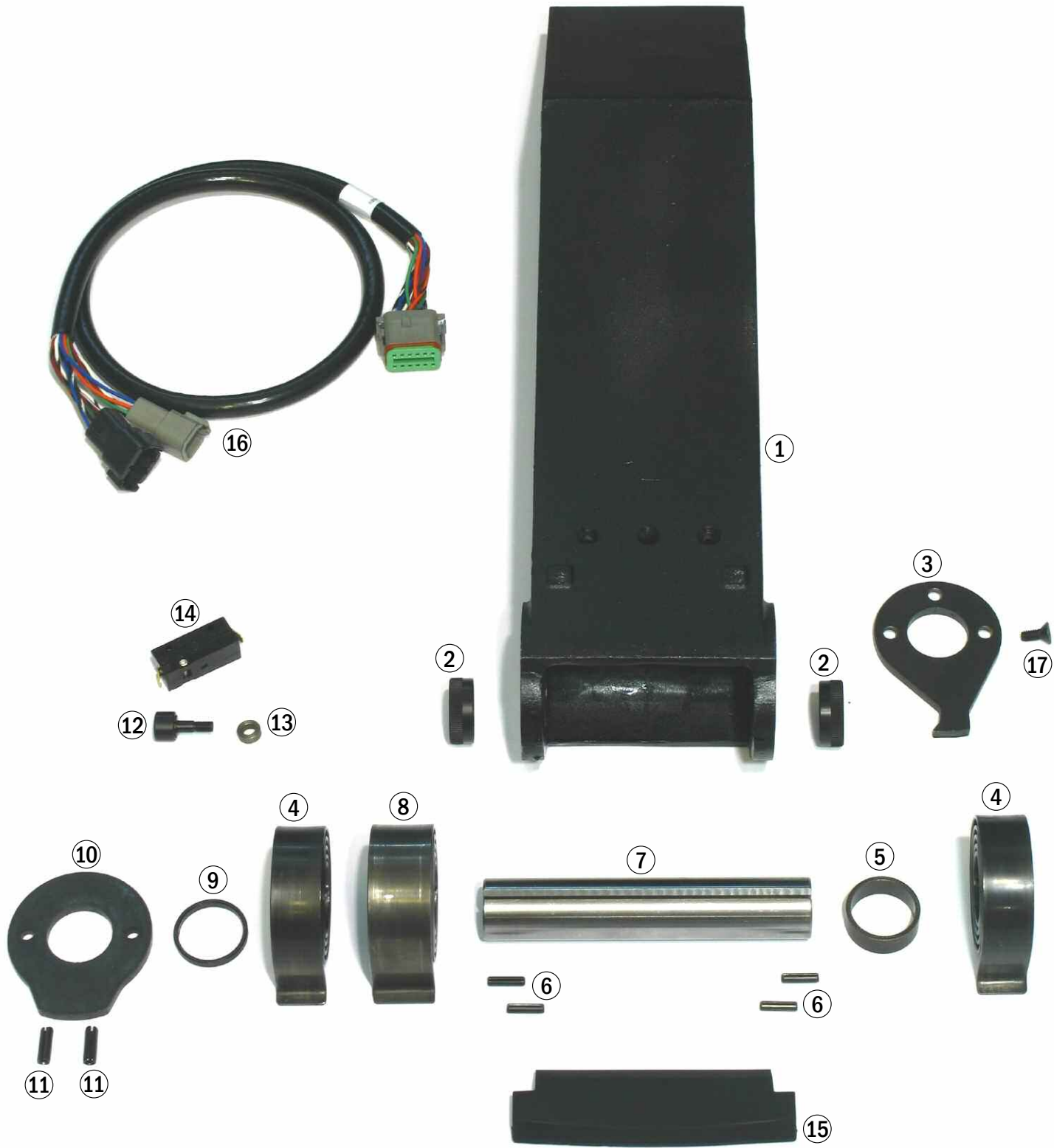


Control Pod - Quickpick - Freezer Corrosion

Item	Part No.	Description
1	CR 113387	Yoke
2	CR 089317	Pod
3	CR 126940	Grip
4	CR 060000-004	Roll pin
5	CR 093904-001	Cap button
6	CR 089324-001	Red body button
7	CR 088975	Bellow switch
8	CR 060032-035	Self tapping screw
9	CR 093068	Retainer
10	CR 080695	Spring
11	CR 060032-032	Self tapping screw
12	CR 060012-023	Screw #6
13	CR 073375	Switch
14	CR 093887	Mounting bracket
15	CR 092874	Resistor
16	CR 089521	Bar
17	CR 092224	Split bushing
18	CR 060030-163	Flatwasher
19	CR 089510	Bushing
20	CR 087144	Cover
21	CR 114003	Insulator
22	CR 060032-037	Self tapping screw
23	CR 060000-075	Roll pin
24	CR 113425-001	Cover, left
25	CR 113425-002	Cover, right
26	CR 117269	Outer button
27	CR 108693	Spring
28	CR 089362	Switch
29	CR 089362	Switch
30	CR 113432	Insulator
31	CR 113434	Insulator
32	CR 060045-020	Shoulder bolt
33	CR 117270	Button, inner
34	CR 073384	Spring
35	CR 115676	Extension
36	CR 113431	Insulator
37	CR 113433	Insulator
38	CR 089362	Switch

Item	Part No.	Description
39	CR 089362	Switch
40	CR 089342	Spacer
41	CR 113352	Switch
42	CR 089336	Bracket
43	CR 060014-006	Screw #10
44	CR 060011-021	Screw #4
45	CR 089298-002	Rod
46	CR 093492-002	Bracket
47	CR 092874	Resistor
48	CR 060030-190	Flatwasher
49	CR 089356	Cam
50	CR 089548	Spacer
51	CR 089514	Plate
52	CR 088611-002	Collar
53	CR 089360	Torsion spring
54	CR 089509	Stop
55	CR 079019	Potentiometer
56	CR 089549	Insulator
57	CR 089529	Plate
58	CR 076649-002	Insulator
59	CR 060005-010	Lockwasher
60	CR 089532	Bracket
61	CR 060021-010	Nut
62	CR 080275	Pinion
63	CR 078879	Switch, lower & raise
	CR 101589	Switch, horn
64	CR 102525-002	Cover
65	CR 075585	Seal
66	CR 077635	Adaptor

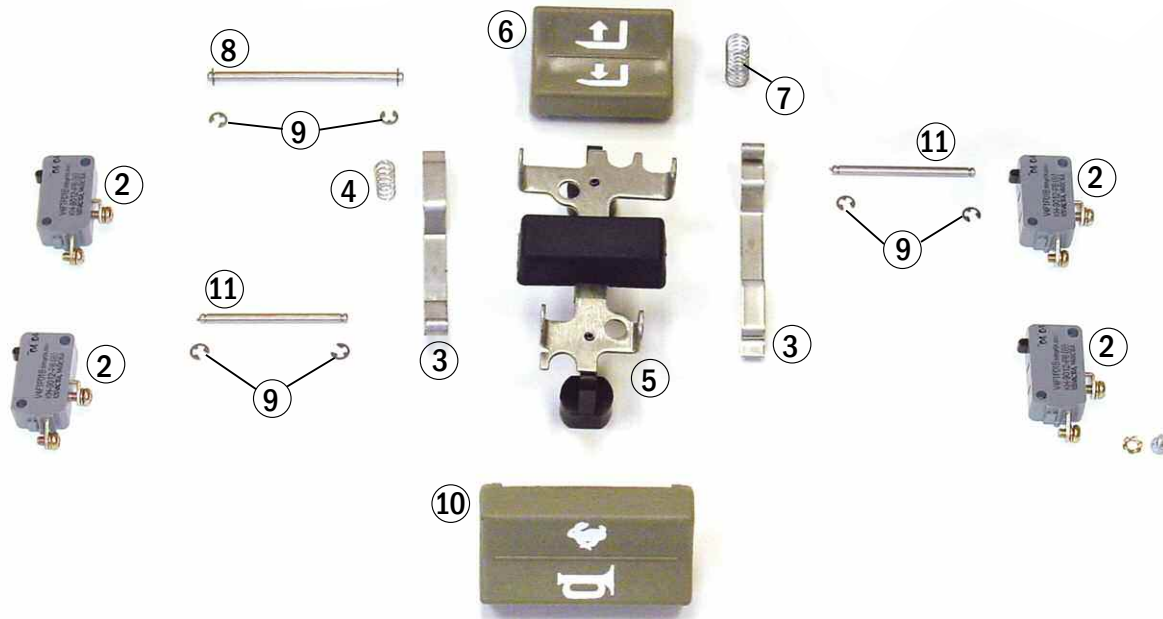
Control Arm



Control Arm

Item	Part No.	Description
1	CR 115270	Control handle w/bushings
	CR 115269	Control handle, coast option w/bushings (not shown)
2	CR 73842	Bushing
3	CR 115280	Cam
4	CR 074909	Spring
5	CR 084777	Spacer
6	CR 060000-052	Roll pin
7	CR 109528	Pivot shaft
8	CR 079791	Spring
9	CR 103418-031	Spacer
10	CR 115230	Cam
11	CR 060000-053	Roll pin
12	CR 073830	Bearing
13	CR 073831	Bushing
14	CR 132180	Switch
15	CR 115282	Bumper
16	CR 129377-001	Wiring harness, handle
	CR 129377-002	Wiring harness, handle, F/C (not shown)
17	CR 060015-085	Screw

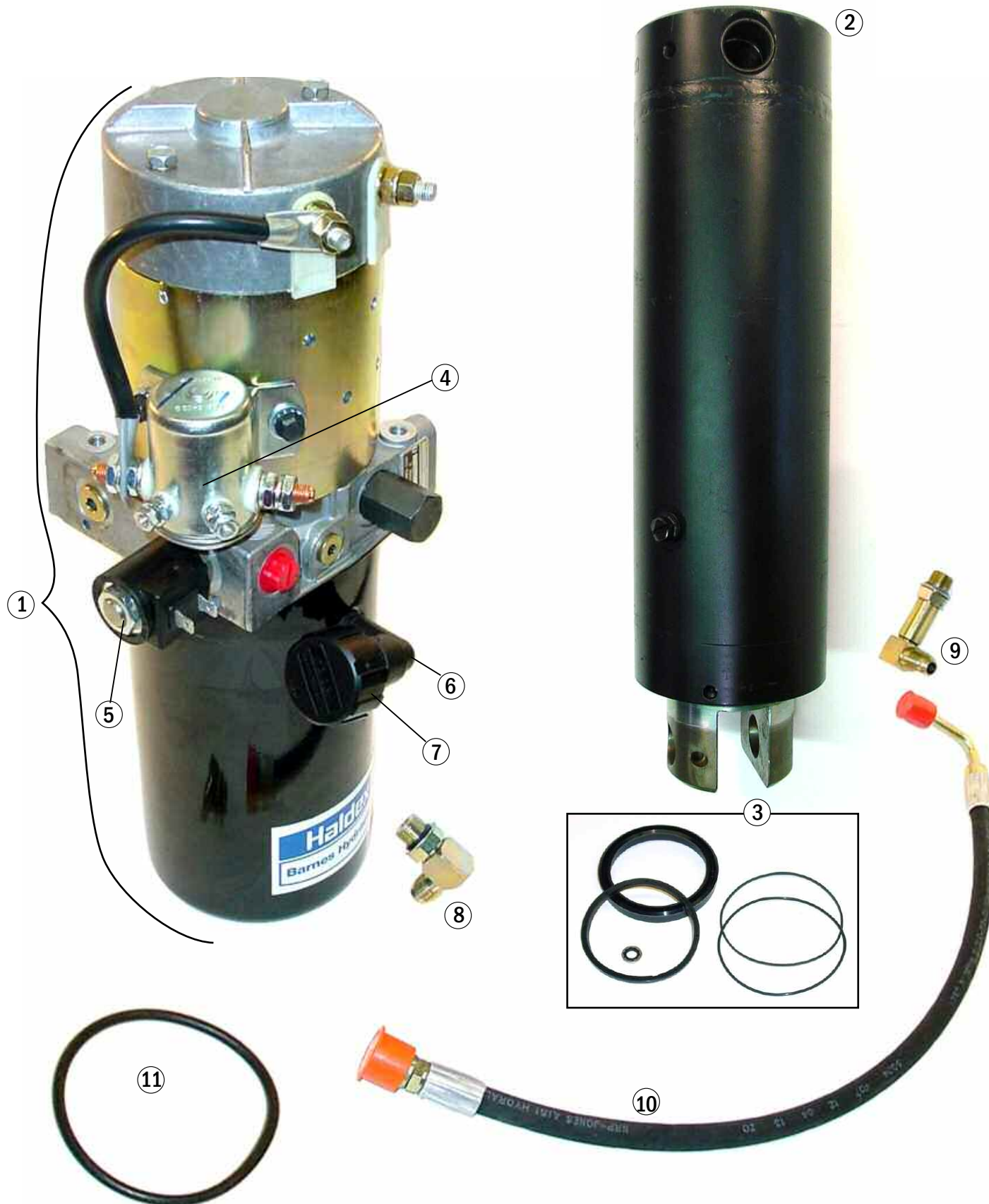
Control - Grab Bar



Control - Grab Bar

Item	Part No.	Description
1	CR 130625-001	Grab bar
	CR 130625-002	Grab bar w/quick coast (not shown)
2	CR 089362	Switch
	CR 060064-003	Screw
	CR 0 60005-036	Lockwasher
3	CR 115407	Lever switch
4	CR 115406	Spring
5	CR 115402-001	Bracket
6	CR 115408	Button, lift/lower
7	CR 115405	Spring (button)
8	CR 115410-001	Button pin
9	CR 060009-070	Retaining ring
10	CR 115409	Horn/3rd speed button
11	CR 115410-002	Button pin
12	CR 130811	Cushion mat (not shown)
13	CR 129139-002	Quick coast switch (not shown)

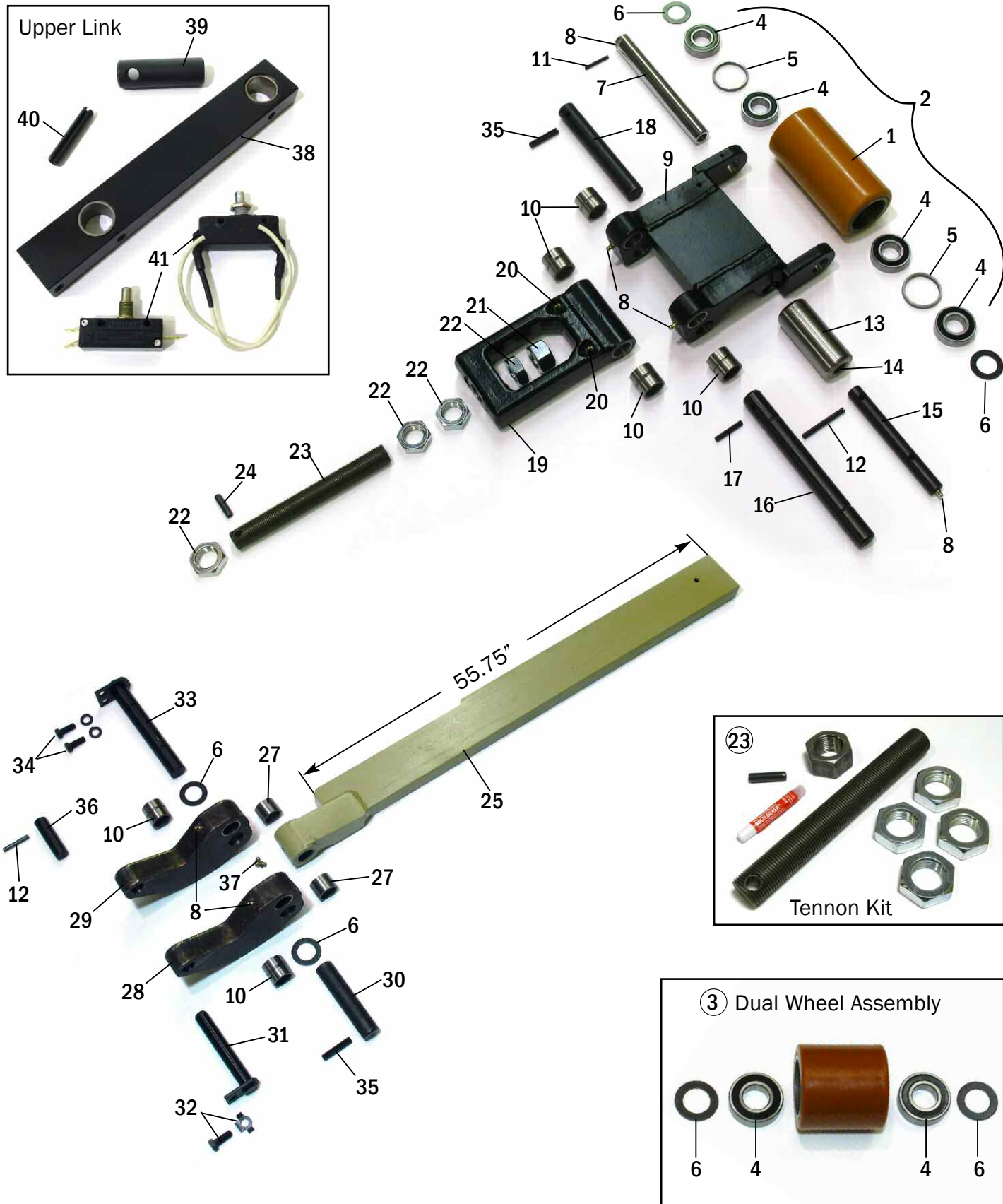
Hydraulic System



Hydraulic System

Item	Part No.	Description
1	CR 131336	Pump and motor assembly, 24V
2	CR 115218	Lift cylinder assembly
3	CR 116820	Lift cylinder seal kit
4	CR 084343	Solenoid switch
5	CR 084344-004	Solenoid Valve
6	CR 064013-001	Breather elbow
7	CR 070550	Breather
8	CR 64061-002	Elbow fitting, fits power unit
9	CR 64098-008	Elbow fitting, fits hydraulic cylinder
10	CR 064103-064	Hose assembly
11	CR 084316	O-Ring

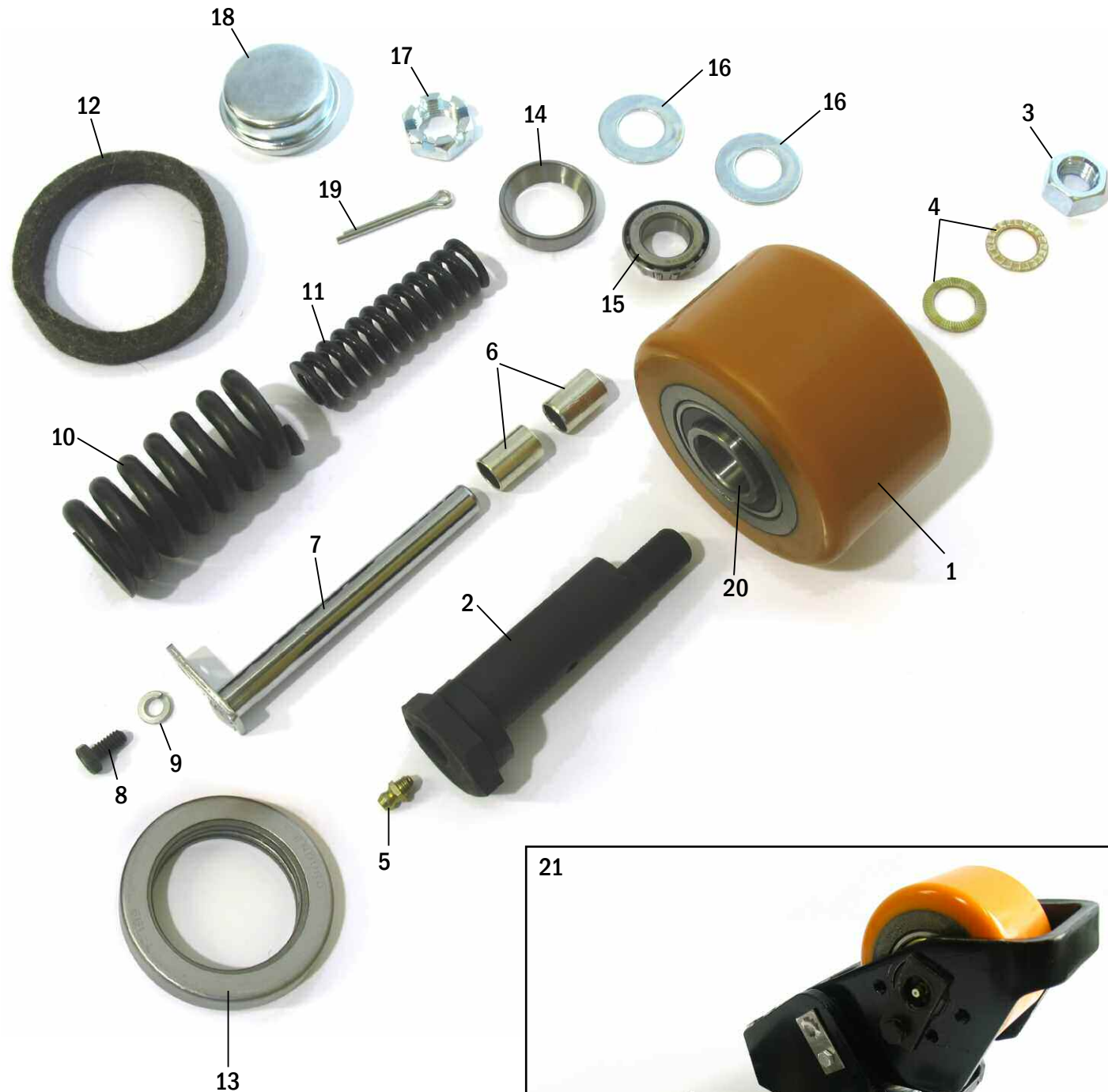
Frame and Undercarriage



Frame and Undercarriage

Item	Part No.	Description	Application
1	CR 100462	Load wheel, High Load	
2	CR 100611	Load Wheel Assembly, High Load (95-A) with Bearings	
3	CR 092537	Dual Wheel Assembly	
4	CR 065081-021	Bearing	
5	CR 100463	Spacer	
6	CR 060030-050	Washer	
7	CR 116802	Load Wheel Axle	
8	CR 100779	Lube fitting	
9	CR 115491	Riser	
10	CR 065117-001	Bushing HTX	
11	CR 060000-081	Roll pin	
12	CR 060000-036	Roll pin	
13	CR 115508	Steel roller	
14	CR 065117-003	Bushing	
15	CR 115509	Steel roller axle	
16	CR 115510	Pivot axle	
17	CR 060000-104	Roll pin	
18	CR 115496	Tension bar axle	
19	CR 115497	Tension bar end w/bushings	
20	CR 089297	Lube fitting body	
21	CR 060021-096	Nut	
22	CR 060021-095	Jam nut	
23	CR 125266-001	Tennon kit (13.19" battery compact) incl. 21, 22, 24 and Thread adhesive	
24	CR 060000-080	Roll pin	
25	To ensure proper part size, please call with your serial number for tension bar price and availability		
26	To ensure proper part size, please call with your serial number for tension bar price and availability		
27	CR 065117-002	Bushing	
28	CR 115517	Outboard link w/bushings	
29	CR 115516	Inboard link w/bushings	
30	CR 115515	Axle	
31	CR 115521	Shaft	
32	CR 060017-007	Screw	
	CR 127349	Clip	
33	CR 115518	Axle	
34	CR 060017-007	Screw	
	CR 060005-009	Lockwasher	
35	CR 060000-036	Roll pin	
36	CR 116801	Pin	
37	CR 080573	Lube fitting	
38	CR 115333	Upper LH link w/bushing	
39	CR 118924	Pin	
40	CR 060000-110	Spiral roll pin	
41	CR 079133	LMS switch	
	CR 078727-004	LMS switch, Freezer/Corrosion	

Casters - Shim Free



Casters - Shim Free

Item	Part No.	Description
1	CR 083179-050	Caster wheel w/bearings, high load, 95A
2	CR 128648-002	Axle
3	CR 060021-028	Nut
4	CR 060089-008	Wedge washer
5	CR 100779	Lube fitting
6	CR 065007-030	Bushing
7	CR 107157-001	Pin hinge, Freezer/corrosion
8	CR 060015-003	Screw
9	CR 060005-007	Lockwasher
10	CR 082640	Compression spring
11	CR 082639	Compression spring
12	CR 082642	Felt seal
13	CR 065043	Thrust bearing
14	CR 065044	Bearing cup
15	CR 065045	Bearing cone
16	CR 060030-104	Washer
17	CR 060021-058	Nut
18	CR 082641	Hub cap
19	CR 060038-001	Cotter pin
20	CR 065081-070	Bearing
21	CR 129929-S001	Caster Assembly

Caster - Quick Adjustment



Caster - Quick Adjustment

Item	Part No.	Description
1	CR 083179-050	Caster wheel w/bearings, high load, 95A
2	CR 115368	Axle, Freezer/corrosion
3	CR 115348	Spring
4	CR 116776	Shaft, without torsion bar
5	CR 115372	Shaft, with torsion bar (not shown)
6	CR 060017-021	Screw
7	CR 060005-009	Lockwasher
8	CR 115369	Grease cap
9	CR 107629	Nut
10	CR 060038-001	Cotter pin
11	CR 060030-227	Flatwasher
12	CR 065069	Cup and cone bearing
13	CR 065043	Thrust bearing
14	CR 082642	Felt seal
15	CR 115363	Yoke
16	CR 100779	Grease fitting
17	CR 065081-070	Bearing



800-462-2370
Fax 800-366-5939
www.SuperStoresService.com

Crown PE 4000 Series

Notes

Crown PE 4000 Series

Notes

800-462-2370
Fax 800-366-5939

www.SuperStoresService.com





800-462-2370

Fax 800-366-5939

www.SuperStoresService.com