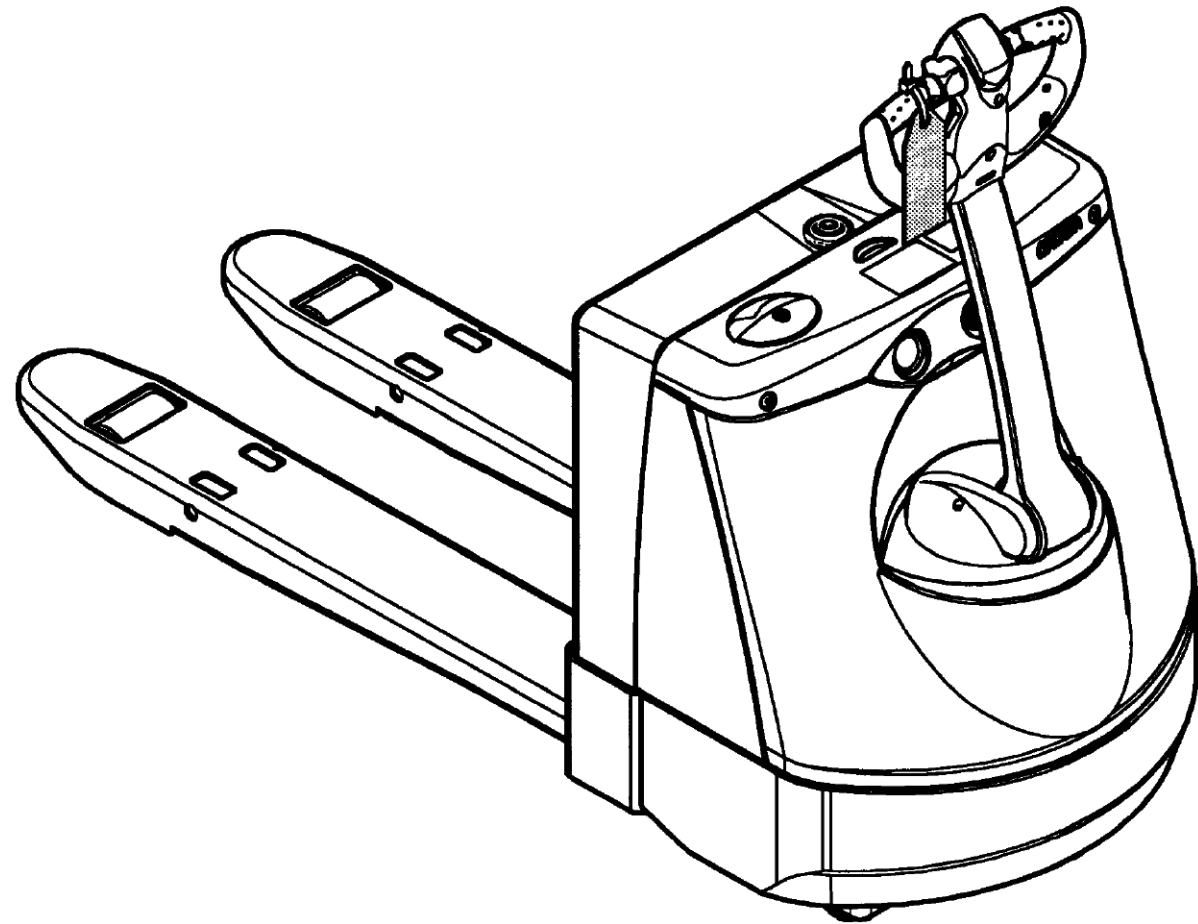


Replacement Parts for Crown WP 2000 Series



Truck Data Nomenclature

WP 2 0 45 - 45

Capacity
 45 = 4500 lb. (2040kg)

Relative Size or Performance
 30 = 7.8 in. (200mm) battery compartment
 35 = 7.8 in. (200mm) battery compartment with trailer package
 40 = 9.0 in. (230mm) battery compartment
 45 = 9.0 in. (230mm) battery compartment with trailer package

Series Update
 Significant change(s) to the product that would not merit a new series number (generation)

Series
 Major technical and design changes making the product a new and improved generation

Image Generator
 WP - Walkie Pallet

Contents

Quick Wheel Lookup 4

Electrical

Battery Tray and Charger 6
 Power Unit Electrical 8
 Instrument Panel 10

Drive Unit

Drive Unit 12
 Drive Motor, Brake, Contactor 14
 Control Handle 16
 Knuckle 18

Control Pod

20

Frame and Undercarriage

22

Caster Assembly

24

Quick Wheel Lookup

Quick Wheel Lookup

OEM #	Wheel Type	Manuf.	Part #	Description	Wheel OD in/mm	Tread Width in/mm	Hub Width in/mm	Hub ID in/mm	Bearing OD in/mm	Bearing #	Material/Color
CR 123603	Load Wheel	Generic	GW 9144	Poly Load Wheel (95A)	3.250 / 83	4.500 / 114	4.500 / 114	2.125 / 54	1.181 / 30	BS60062RS	Scotch, 95-A
CR 123603-A	Load Wheel Assy	Generic	GW 9144-A	Poly Load Wheel Assy 95A, incl. Bearings	3.250 / 83	4.500 / 114	4.500 / 114	2.125 / 54	1.181 / 30	BS60062RS	Scotch, 95-A
CR 127251	Drive Tire	Superior	SU 10x4x6.5-SF-P	Drive Tire-Smooth Black, Rubber	10.00 / 254	4.00 / 102	4.00 / 102	6.50 / 165			Rubber, Black
CR 127248-001	Drive Tire Assy	Superior	CR 127248-001	Drive Tire-Rubber, incl. Hub	10.00 / 254	4.00 / 102	4.00 / 102	6.50 / 165			Rubber, Black
CR 75715-010	Drive Tire	Superior	CR 75715-010	Drive Tire-Poly (95A)	10.00 / 254	4.00 / 102	4.00 / 102	6.50 / 165			Poly, Maroon 95A
CR 127249	Drive Tire Assy	Superior	CR 127249	Drive Tire-Poly (95A)	10.00 / 254	4.00 / 102	4.00 / 102	6.50 / 165			Poly, Maroon 95A
CR 127250	Hub	Generic	CR 127250	Drive Tire-Hub	10.00 / 254						
CR 805888-010	Caster Wheel	Generic	GW 9166-A	Caster Wheel Assembly, incl. Bearings	3.500 / 89	1.75 / 45	2.00 / 51	1.85 / 47			Scotch, 95-A

CR 123603
Load wheel
Poly Hy Load (95A)



CR 127251
Drive tire
smooth black rubber



CR 75715-010
Drive tire, Poly 95A



CR 127250
Tire hub



CR 123603-A
Load Wheel assembly Poly 95A
includes bearings, washers



CR 127248-001
Drive tire assembly, rubber
includes hub



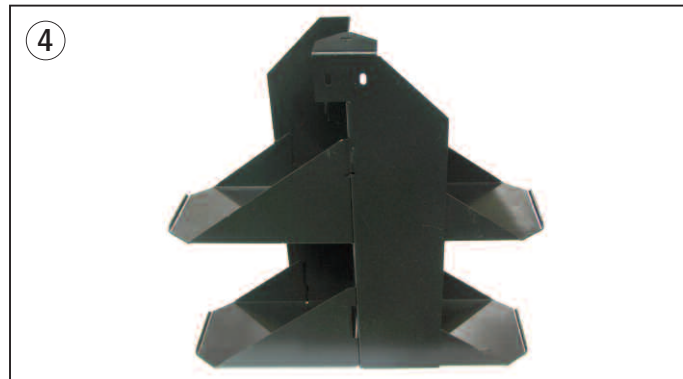
CR 127249
Drive tire assembly, Poly
includes hub



CR 805888-010
Caster wheel assembly
includes bearings and washers



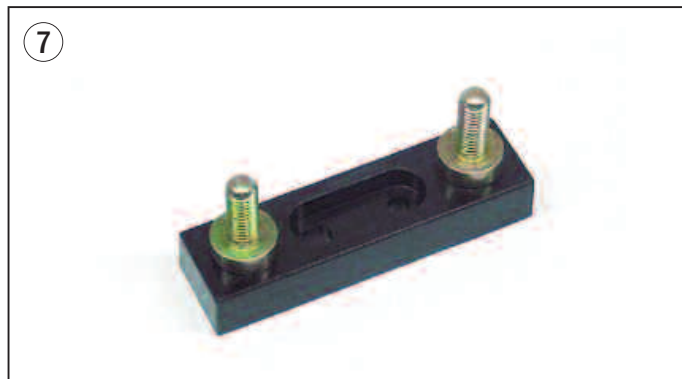
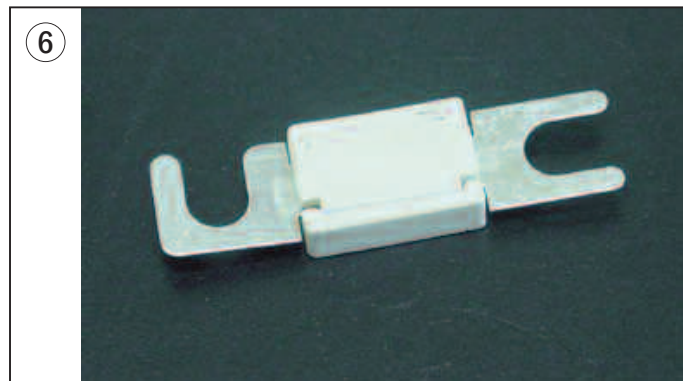
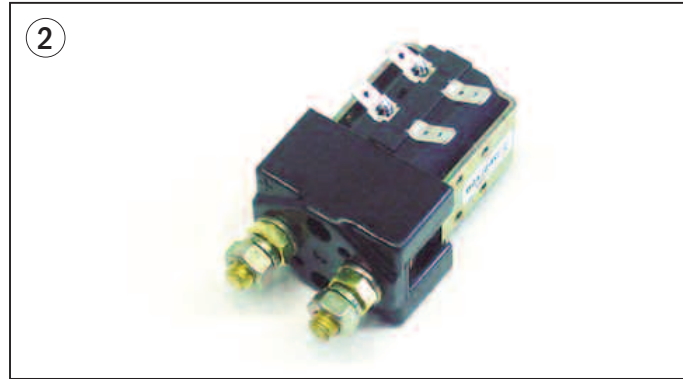
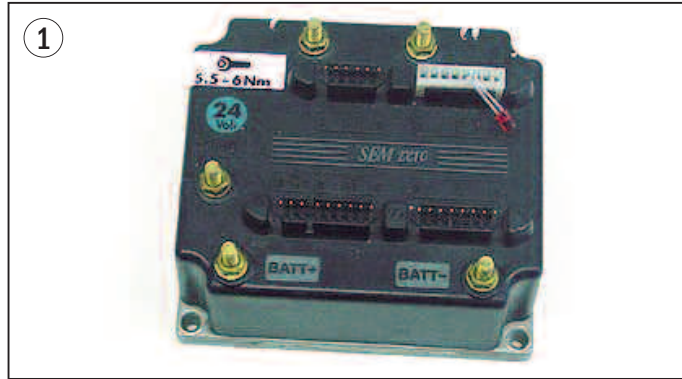
Electrical - Battery Tray and Charger



Electrical - Battery Tray and Charger

Item	Part No.	Description
1	CR 127455	Charger 120V 60 Hz
2	CR 127537	Charger Cord, AC Jumper
3	CR 808172	Cover assembly, incl. item 4
4	CR 807729	Battery tray assembly
5	CR 808278	Battery tray assembly, swing out (not shown)
6	CR 78723-002	Battery connector, gray, incl. contacts
7	CR 045239-001-03	Disconnect handle, upper
8	CR 045239-002	Disconnect handle, lower

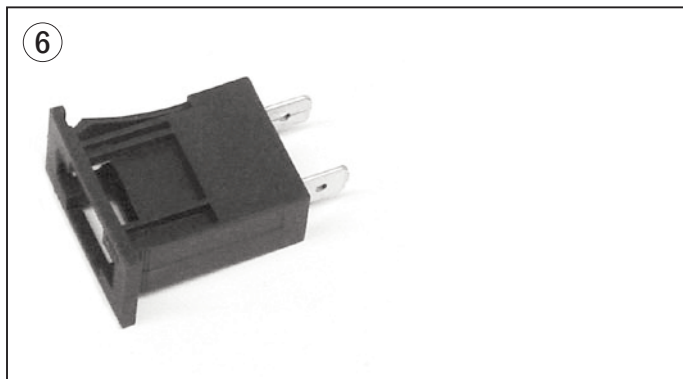
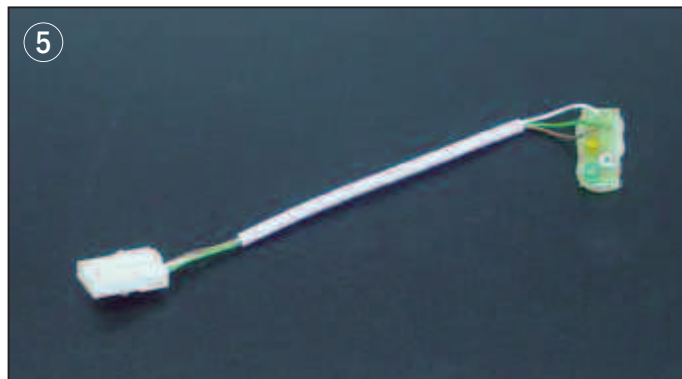
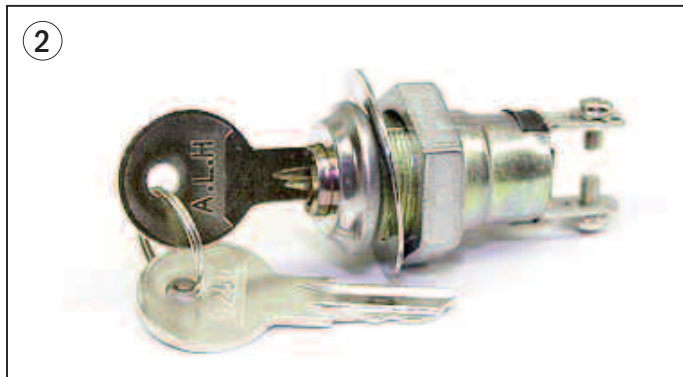
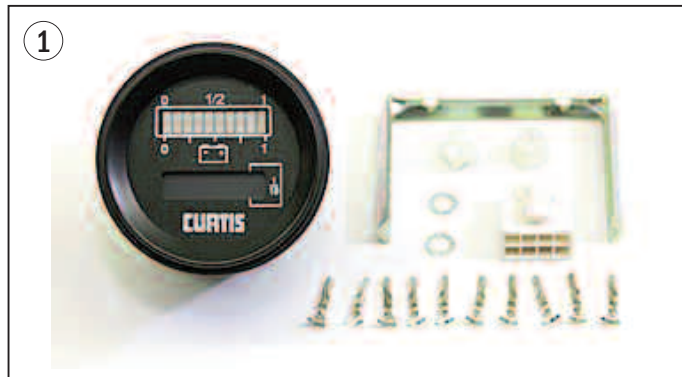
Electrical - Power Unit



Electrical - Power Unit

Item	Part No.	Description
1	CR 805780-002-R	Controller (rebuilt)
2	CR 802820	Contactora, 24V
3	CR 078708-002	Horn
4	CR 805864	Micro switch (LMS)
	CR 808032	Micro switch (LMS) F/C (not shown)
5	CR 803310	Switch actuator
6	CR 802816-005	Fuse, 125 Amp (FU1)
7	CR 805824	Fuse holder

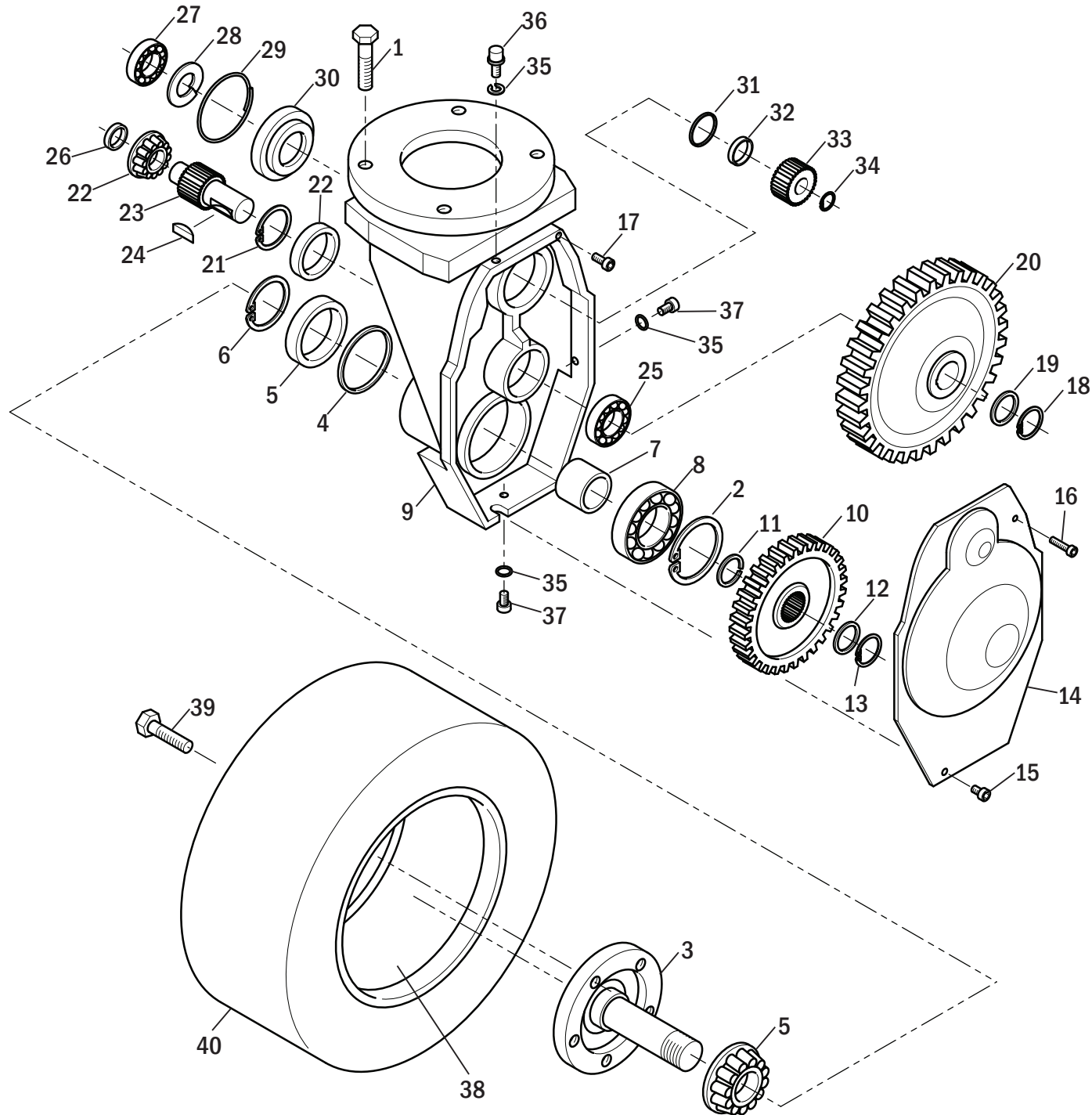
Electrical - Instrument Panel



Electrical - Instrument Panel

Item	Part No.	Description	Application
1	CR 802833	Unigauge	
	CR 113773-006	Hour meter (not shown)	
	CR 106288	Battery discharge meter (not shown)	
	CR 126238-002	Battery discharge meter for MFB (not shown)	
2	CR 072708	Key switch, Inc. 2 keys, ring & nut	
3	CR 077633	Toggle Switch, Inc.nut	
4	CR 120127	Flange inlet, AC	
5	CR 810562	Charger LED	
6	CR 805752	Fuse holder	
	CR 805751-001	Fuse 10A (FU2)	
	CR 805751-002	Fuse, 2A (FU3) (not shown)	
7	CR 805892	Thermostat, F/C	
8	CR 045271-004	Cover, unit with battery charger	
	CR 045271-001	Cover, unit w/o battery charger (not shown)	

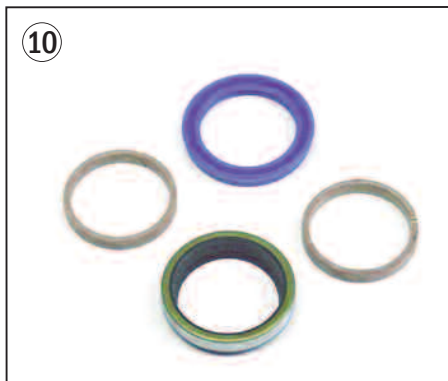
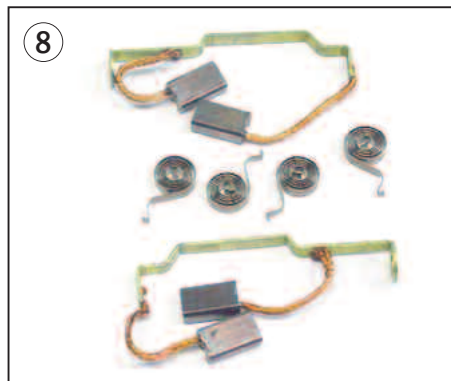
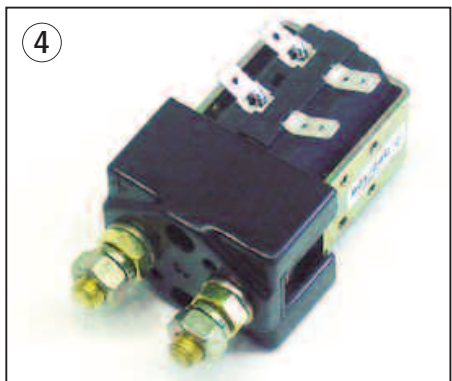
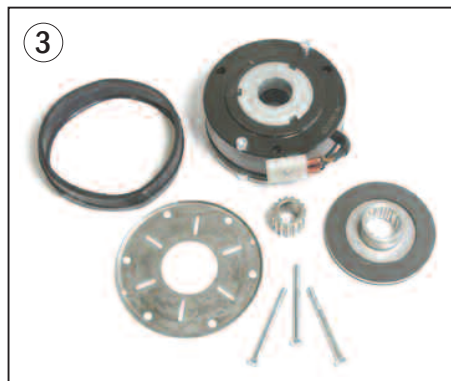
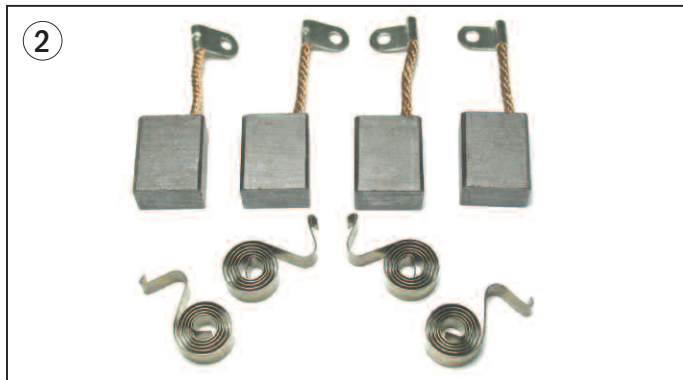
Drive Unit



Drive Unit

Item	Part No.	Description
1	CR 050005-037	Screw
2	CR 805112-006	Retaining ring
3	CR 805100	Wheel shaft
4	CR 805110-001	Seal
5	CR 805111-001	Ball bearing
6	CR 805112-001	Retaining ring
7	CR 805113-001	Bushing
8	CR 805111-002	Bearing
9	CR 805101	Housing
10	CR 805102	Gear
11	CR 805114-001	Shim
12	CR 805114-002	Shim
13	CR 805112-002	Retaining ring
14	CR 805103	Gear box
15	CR 805115-001	Screw
16	CR 805115-002	Screw
17	CR 805115-003	Screw
18	CR 805112-003	Retaining ring
19	CR 805116-001	Washer
20	CR 805104	Gear
21	CR 805112-004	Retaining ring
22	CR 805111-003	Bearing
23	CR 805105	Pinion
24	CR 805106	Key
25	CR 805111-004	Bearing
26	CR 805107	Cap
27	CR 805111-005	Bearing
28	CR 805116-002	Washer
29	CR 805117	O-ring
30	CR 805113-002	Bushing
31	CR 805110-002	Seal
32	CR 805118	Ring
33	CR 805108	Pinion
34	CR 805112-005	Retaining ring
35	CR 805110-003	Seal
	CR 805109	Breather
37	CR 805115-004	Screw
38	CR 127250	Hub
39	CR 050074-002	Lug bolt
40	CR 127251-001	Drive tire, rubber
	CR 075715-010-01	Drive tire, poly

Drive Motor, Brake and Contactor



Drive Motor, Brake and Contactor

Item	Part No.	Description
1	CR 805839-R	Traction motor (rebuilt)
2	CR 128092	Brush Kit, incl. 4 brushes & 4 springs
3	CR 807102	Brake assembly
4	CR 802820	Contacting (pump & line)
5	CR 803689	Fixed contact
6	CR 803690	Movable contact
7	CR 805770-001	Pump and motor assembly
8	CR 128091	Brush & spring kit
9	CR 805600	Lift cylinder assembly
10	CR 128093	Seal kit

Control Handle

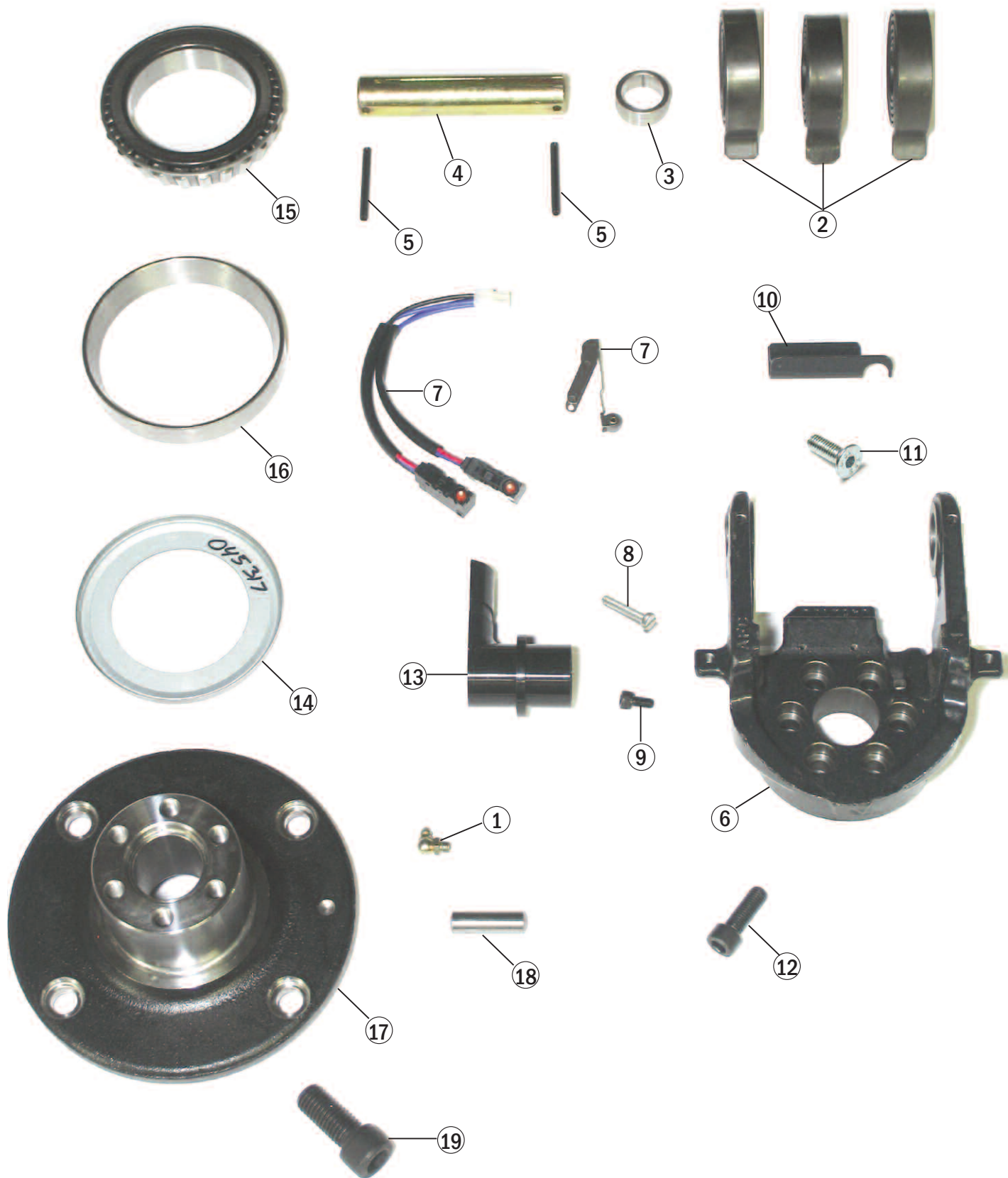


Control Handle

Item	Part No.	Description
1	CR 804937	Grip
2	CR 050005-087	Screw
3	CR 050005-054	Screw
4	CR 050005-066	Screw
5	CR 045322	Handle arm
6	CR 051058-001	Bushing
7	CR 803348	Stop
8	CR 050004-010	Screw
9	CR 803918	Switch assembly
10	CR 050004-001	Screw
11	CR 050005-010	Screw
12	CR 051057-001	Spring
13	CR 803469-002	Screw
14	CR 803330	Guide plate
15	CR 803325	Bellow
16	CR 802852	Button
17	CR 805867-001	Wiring harness assembly
18	CR 805832	Cable holder
19	CR 050004-038	Screw

Crown WP 2000 Series

Knuckle

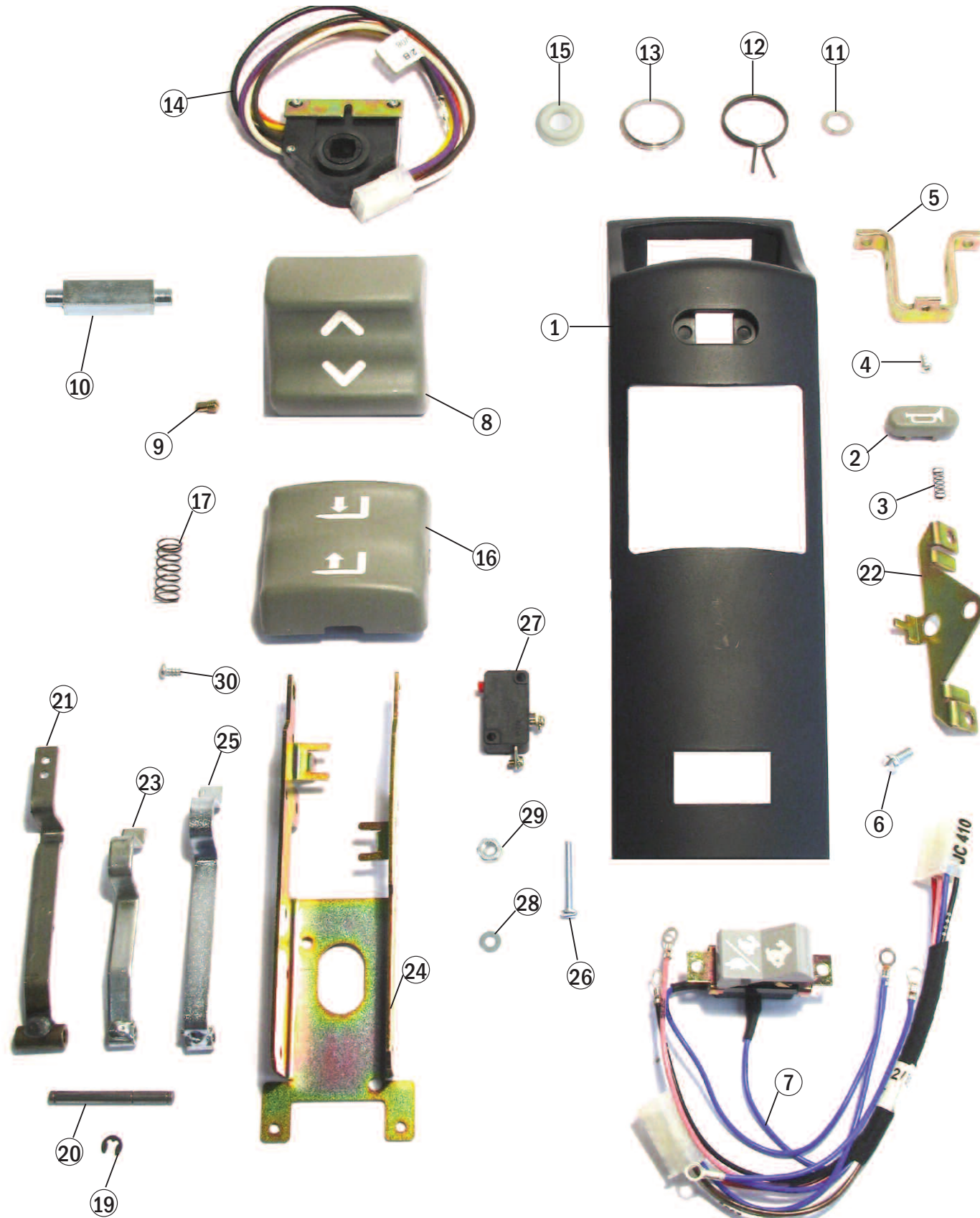


Crown WP 2000 Series

Knuckle

Item	Part No.	Description
1	CR 054011-006	Fitting
2	CR 803013	Spring
3	CR 803353	Spacer
4	CR 805760	Shaft
5	CR 050000-015	Roll Pin
6	CR 045215	Knuckle
7	CR 805859	Switch
	CR 803310	Actuator
8	CR 050004-032	Screw
9	CR 050005-061	Screw
10	CR 805738	Damper sheet
11	CR 050003-010	Screw
12	CR 050005-032	Screw
13	CR 045234	Cable protector
14	CR 045317	Seal metallic
15	CR 045319	Bearing
16	CR 045318	Bearing outer race
17	CR 045222	Flange
18	CR 050052-004	Pin
19	CR 050005-037	Screw

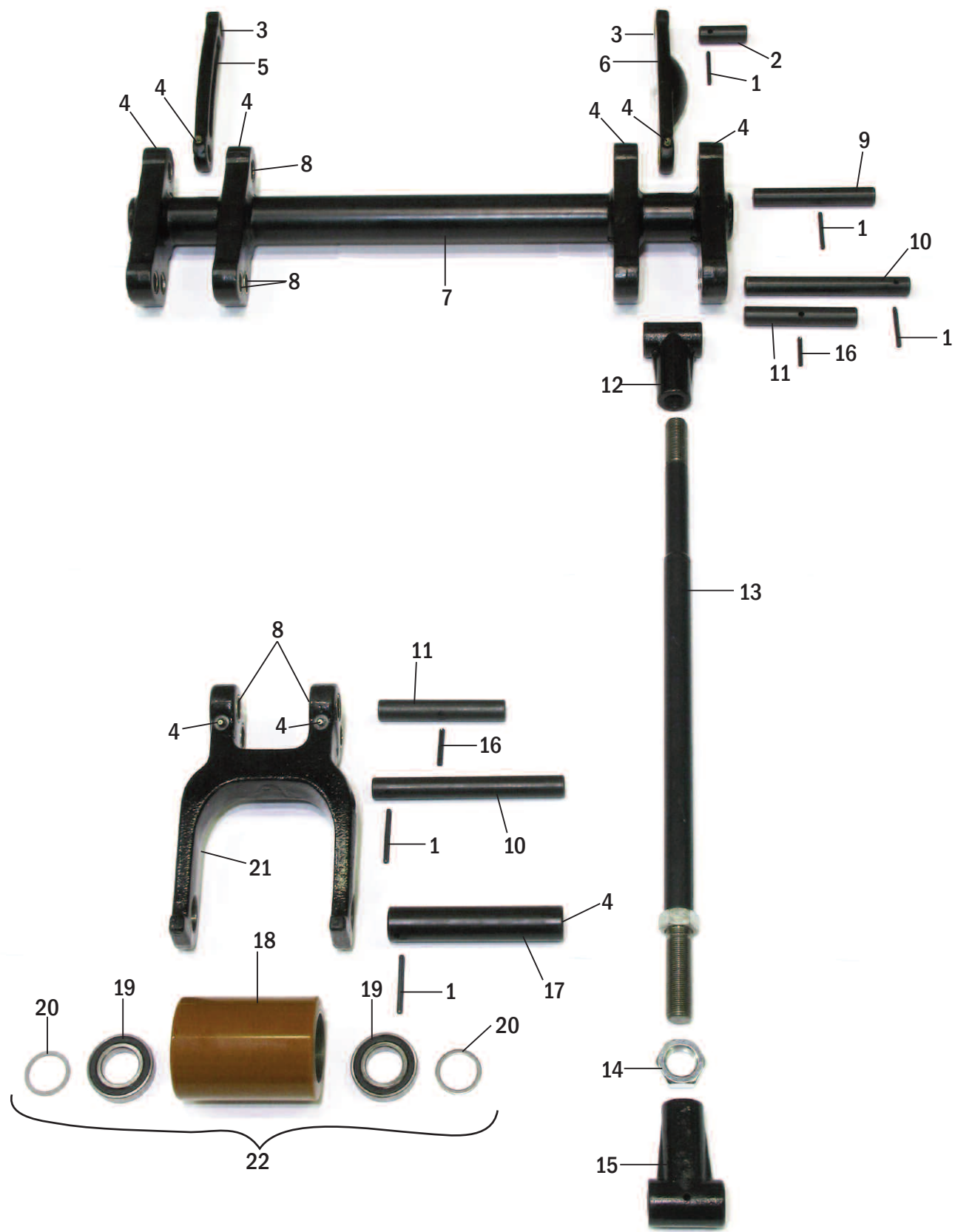
Control Pod



Control Pod

Item	Part No.	Description
1	CR 807949-001	Control pod
2	CR 802855	Button, horn
3	CR 051057-002	Spring
4	CR 803469-003	Screw
5	CR 803347	Holder
6	CR 050004-024	Screw
7	CR 805857	Switch assembly
8	CR 804357	Forward/reverse button
9	CR 803392	Adjusting pin
10	CR 117258	Shaft
11	CR 050009-017	Washer
12	CR 803393	Spring
13	CR 803391	Washer
14	CR 805672	Potentiometer assembly
15	CR 803390	Washer
16	CR 802856	Raise/lower button
17	CR 051057-003	Spring
18	CR 803340	Pin (not shown)
19	CR 050012-031	Retaining ring
20	CR 803341	Pin
21	CR 803337	Actuator horn
22	CR 805607	Console
23	CR 803333	Upper actuator
24	CR 805869-001	Bracket Switch
25	CR 803335	Lower actuator
26	CR 050004-032	Screw
27	CR 089362	Raise/lower switch
28	CR 050009-001	Washer
29	CR 050008-004	Nut
30	CR 050004-005	Screw
31	CR 805868-009	Control pod assembly (not shown)

Frame and Undercarriage



Frame and Undercarriage

Item	Part No.	Description	Application
1	CR 050000-015	Roll pin	
2	CR 045433	Shaft	
3	CR 055084-008	Bushing	
4	CR 054011-006	Lube fitting	
5	CR 805761-002	Upper link assembly, w/bushings (R.H.)	
6	CR 805754-002	Upper link assembly, w/bushings (L.H.)	
7	CR 805773-002-04	Lower link assembly (27") (Fork spread 7)	
8	CR 055084-009	Bushing	
9	CR 807097	Shaft	
10	CR 045224	Axle	
11	CR 045469	Axle	
12	CR 045292-001	Tension bar end (L.H.THD)	
13	CR 045482-002-06	Tension bar (48" forks) 7.8" battery comp.	
14	CR 060021-019	Nut	
15	CR 045292-002	Tension bar end (R.H.)	
16	CR 050000-017	Roll pin	
17	CR 045477	Axle	
18	CR 123603	Poly load wheel (95A)	
19	CR 065081-62	Bearing, rubber shield	
20	CR 060030-173	Washer	
21	CR 805920-002	Riser assembly, incl. items 4 and 8	
22	CR 123603-A	Load wheel assembly, incl. items 18, 19 and 20	

Skid Plate/Casters



Skid Plate/Casters

Item	Part No.	Description	Application
1	CR 808262	Skid plate	
2	CR 050067-043	Screw, skid plate	
3	CR 805888-010	Caster wheel assembly, incl. item 4	
4	CR 805888-012	Bearing	
5	CR 050000-047	Roll pin	
6	CR 805888-009	Wheel axle	
7	CR 805888-008	Pivot axle	
8	CR 805888-001	Caster Assembly	



800-462-2370

Fax 800-366-5939

www.SuperStoresService.com