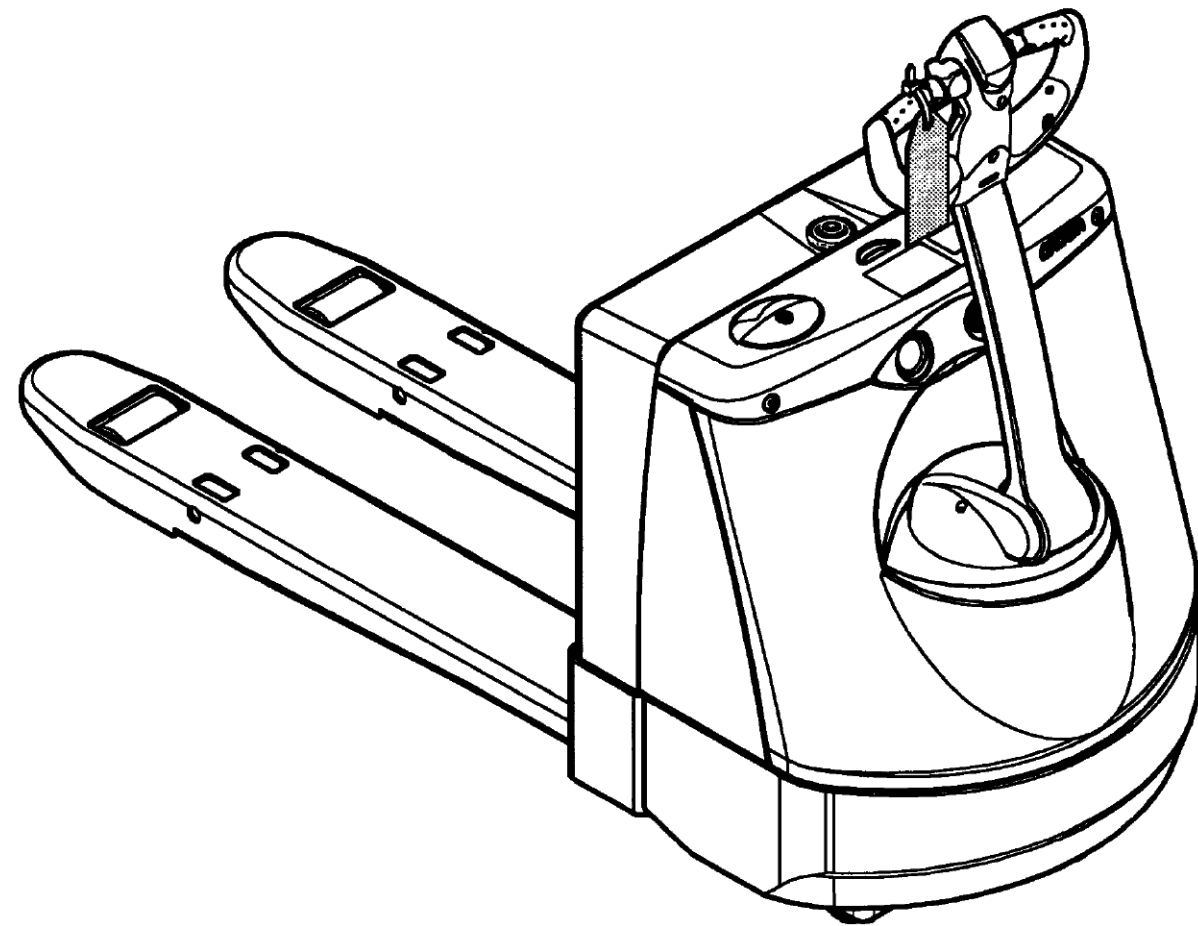


Replacement Parts for Crown WP 2300 Series



Truck Data Nomenclature

WP 2 3 45 - 45

Capacity
 45 = 4500 lb. (2040kg)

Relative Size or Performance
 30 = 7.8 in. (200mm) battery compartment
 35 = 7.8 in. (200mm) battery compartment with trailer package
 40 = 9.0 in. (230mm) battery compartment
 45 = 9.0 in. (230mm) battery compartment with trailer package

Series Update
 Significant change(s) to the product that would not merit a new series number (generation)

Series
 Major technical and design changes making the product a new and improved generation

Image Generator
 WP - Walkie Pallet

Contents

Quick Wheel Lookup	4
Electrical	
Battery Tray and Charger	6
Power Unit Electrical	8
Instrument Panel	10
Drive Unit	
Drive Unit	12
Drive Motor, Brake, Contactor	14
Control Handle	16
Knuckle	18
Control Handle Cap	20
Frame and Undercarriage	22
Caster Assembly	24
Backrest Hardware & Wear Plate	26

Quick Wheel Lookup

Quick Wheel Lookup

OEM #	Wheel Type	Manuf.	Part #	Description	Wheel OD in/mm	Tread Width in/mm	Hub Width in/mm	Hub ID in/mm	Bearing OD in/mm	Bearing #	Material/Color
CR 813015	Load Wheel	Generic	GW 9144	Poly Load Wheel (95A)	3.250 / 83	4.500 / 114	4.500 / 114	2.125 / 54	1.181 / 30	BS60062RS	Scotch, 95-A
CR 813014	Load Wheel Assy	Generic	GW 9144-A	Poly Load Wheel Assy 95A, incl. Bearings	3.250 / 83	4.500 / 114	4.500 / 114	2.125 / 54	1.181 / 30	BS60062RS	Scotch, 95-A
CR 127251	Drive Tire	Superior	SU 10x4x6.5-SF-P	Drive Tire-Smooth Black, Rubber	10.00 / 254	4.00 / 102	4.00 / 102	6.50 / 165			Rubber, Black
CR 127248-001	Drive Tire Assy	Superior	CR 127248-001	Drive Tire-Rubber, incl. Hub	10.00 / 254	4.00 / 102	4.00 / 102	6.50 / 165			Rubber, Black
CR 75715-010	Drive Tire	Superior	CR 75715-010	Drive Tire-Poly (95A)	10.00 / 254	4.00 / 102	4.00 / 102	6.50 / 165			Poly, Maroon 95A
CR 127249	Drive Tire Assy	Superior	CR 127249	Drive Tire-Poly (95A)	10.00 / 254	4.00 / 102	4.00 / 102	6.50 / 165			Poly, Maroon 95A
CR 127250	Hub	Generic	CR 127250	Drive Tire-Hub	10.00 / 254						
CR 813128	Caster Wheel	Generic	GW 9166-A	Caster Wheel Assembly, incl. Bearings	3.500 / 89	1.75 / 45	2.00 / 51	1.85 / 47			Scotch, 95-A

CR 813015
Load wheel
Poly Hy Load (95A)



CR 127251
Drive tire
smooth black rubber



CR 75715-010
Drive tire, Poly 95A



CR 127250
Tire hub



CR 813014
Load Wheel assembly Poly 95A
includes bearings, washers



CR 127248-001
Drive tire assembly, rubber
includes hub



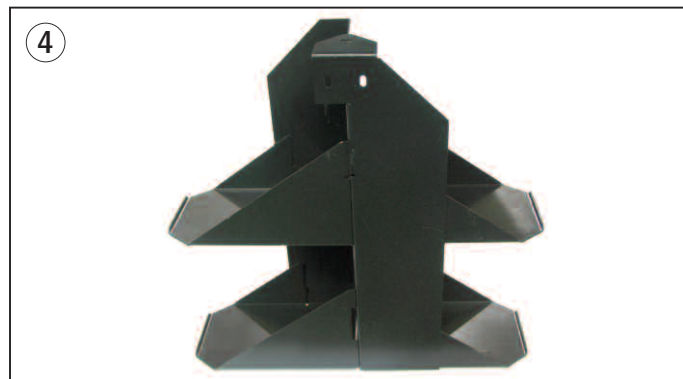
CR 127249
Drive tire assembly, Poly
includes hub



CR 813128
Caster wheel assembly
includes bearings and washers



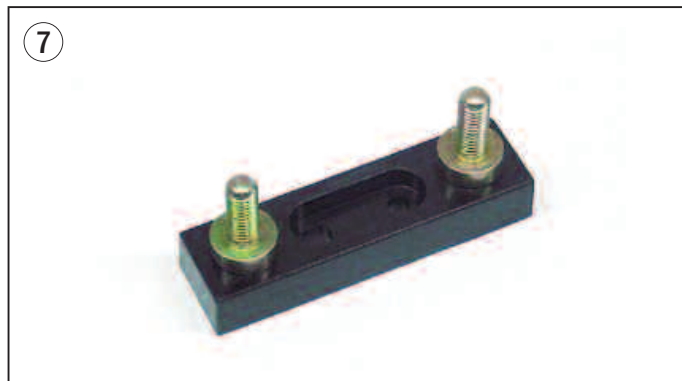
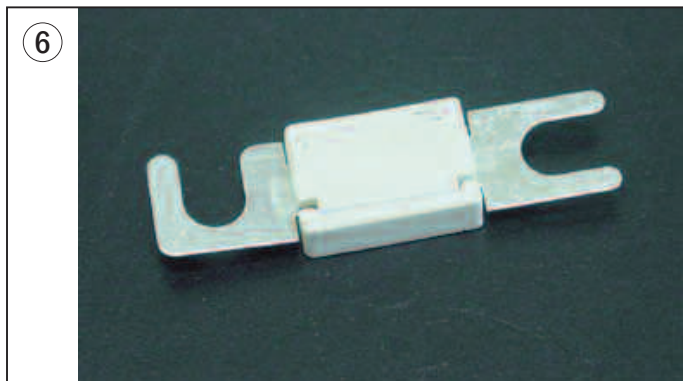
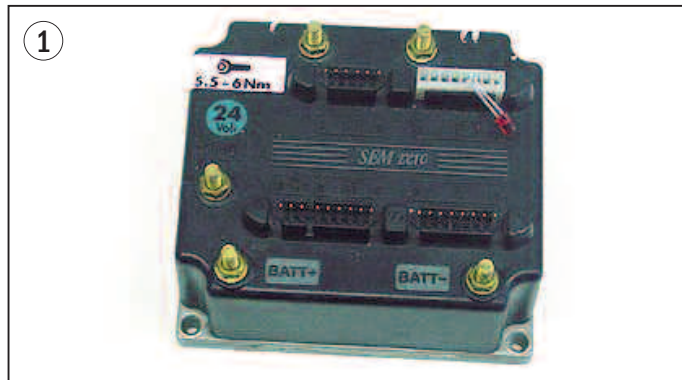
Electrical - Battery Tray and Charger



Electrical - Battery Tray and Charger

Item	Part No.	Description
1	CR 813144	Charger 120V 60 Hz
2	CR 127537	Charger Cord, AC Jumper
3	CR 808172	Cover assembly, incl. item 4
4	CR 807729	Battery tray assembly
5	CR 808278	Battery tray assembly, swing out (not shown)
6	CR 78723-002	Battery connector, gray, incl. contacts
7	CR 045239-001-03	Disconnect handle, upper
8	CR 045239-002	Disconnect handle, lower

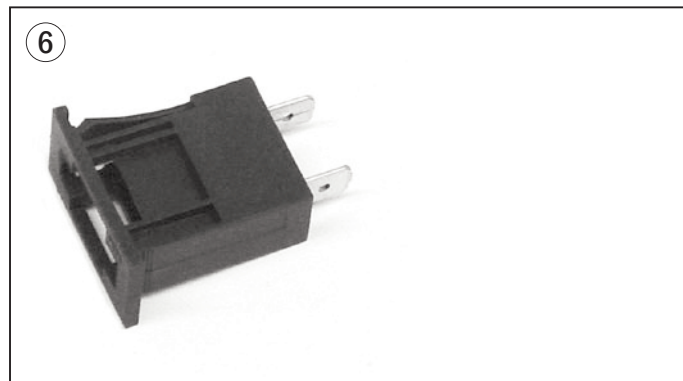
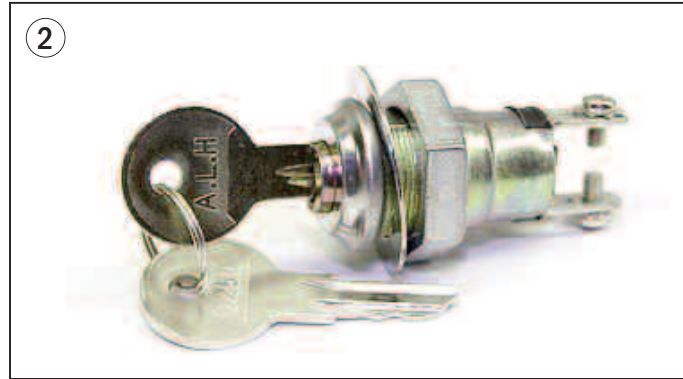
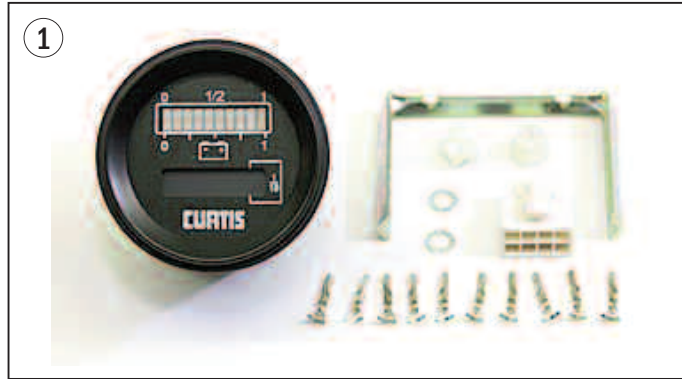
Electrical - Power Unit



Electrical - Power Unit

Item	Part No.	Description
1	CR 813096-001-R	Controller (rebuilt)
2	CR 802820	Contactora, 24V
3	CR 078708-002	Horn
4	CR 805864	Micro switch (LMS)
	CR 808032	Micro switch (LMS) F/C (not shown)
5	CR 803310	Switch actuator
6	CR 802816-005	Fuse, 125 Amp (FU1)
7	CR 805824	Fuse holder

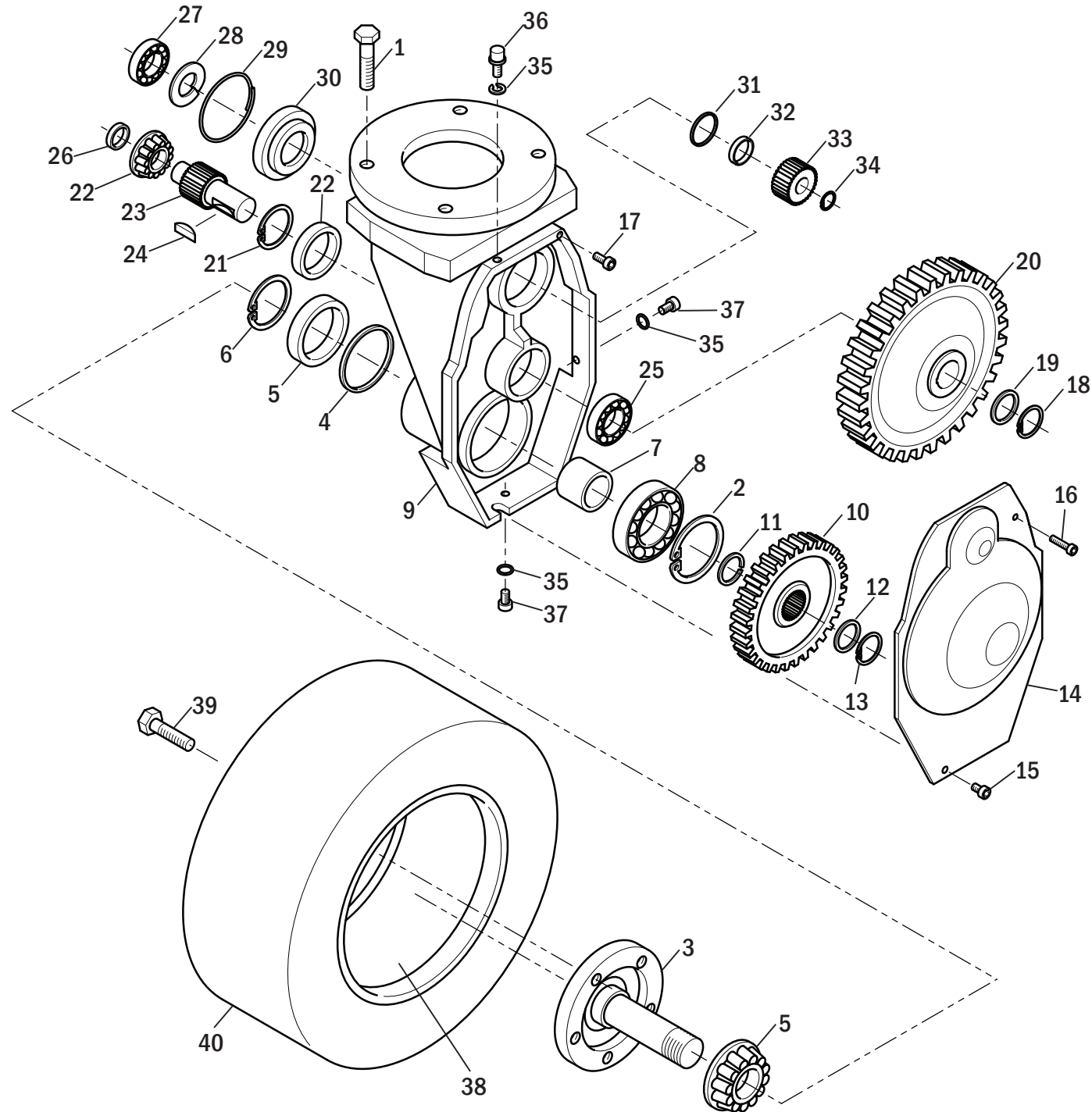
Electrical - Instrument Panel



Electrical - Instrument Panel

Item	Part No.	Description	Application
1	CR 802833	Unigauge	
	CR 113773-006	Hour meter (not shown)	
	CR 106288	Battery discharge meter (not shown)	
	CR 126238-002	Battery discharge meter for MFB (not shown)	
2	CR 072708	Key switch, Inc. 2 keys, ring & nut	
3	CR 077633	Toggle Switch, Inc.nut	
4	CR 120127	Flange inlet, AC	
5	CR 810562	Charger LED	
6	CR 805752	Fuse holder	
	CR 805751-001	Fuse 10A (FU2)	
	CR 805751-002	Fuse, 2A (FU3) (not shown)	
7	CR 805892	Thermostat, F/C	
8	CR 813537-234	Cover, unit with battery charger	
	CR 813537-231	Cover, unit w/o battery charger (not shown)	

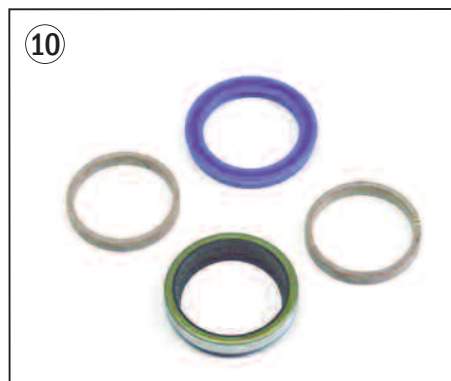
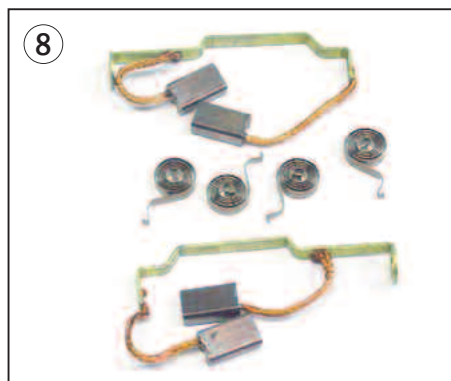
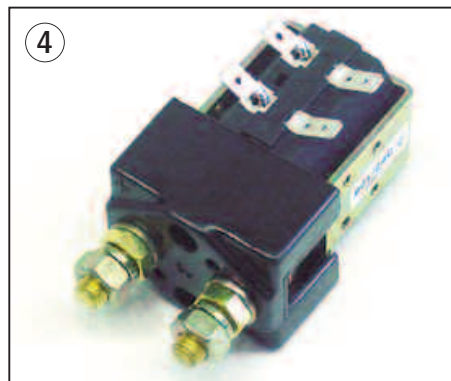
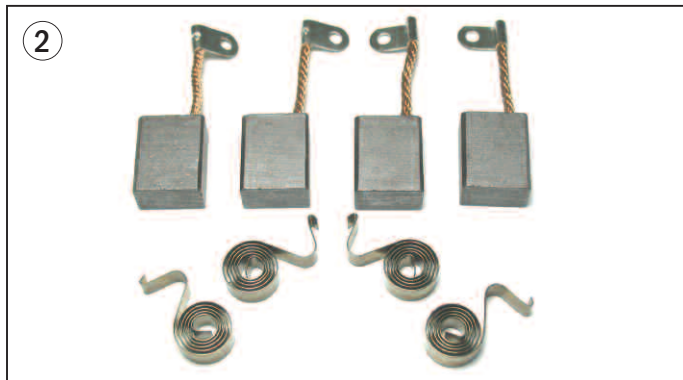
Drive Unit



Drive Unit

Item	Part No.	Description
1	CR 050005-037	Screw
2	CR 805112-006	Retaining ring
3	CR 805100	Wheel shaft
4	CR 805110-001	Seal
5	CR 805111-001	Ball bearing
6	CR 805112-001	Retaining ring
7	CR 805113-001	Bushing
8	CR 805111-002	Bearing
9	CR 805101	Housing
10	CR 805102	Gear
11	CR 805114-001	Shim
12	CR 805114-002	Shim
13	CR 805112-002	Retaining ring
14	CR 805103	Gear box
15	CR 805115-001	Screw
16	CR 805115-002	Screw
17	CR 805115-003	Screw
18	CR 805112-003	Retaining ring
19	CR 805116-001	Washer
20	CR 805104	Gear
21	CR 805112-004	Retaining ring
22	CR 805111-003	Bearing
23	CR 805105	Pinion
24	CR 805106	Key
25	CR 805111-004	Bearing
26	CR 805107	Cap
27	CR 805111-005	Bearing
28	CR 805116-002	Washer
29	CR 805117	O-ring
30	CR 805113-002	Bushing
31	CR 805110-002	Seal
32	CR 805118	Ring
33	CR 805108	Pinion
34	CR 805112-005	Retaining ring
35	CR 805110-003	Seal
	CR 805109	Breather
37	CR 805115-004	Screw
38	CR 127250	Hub
39	CR 050074-002	Lug bolt
40	CR 127251-001	Drive tire, rubber
	CR 075715-010-01	Drive tire, Poly High-load (95-A)

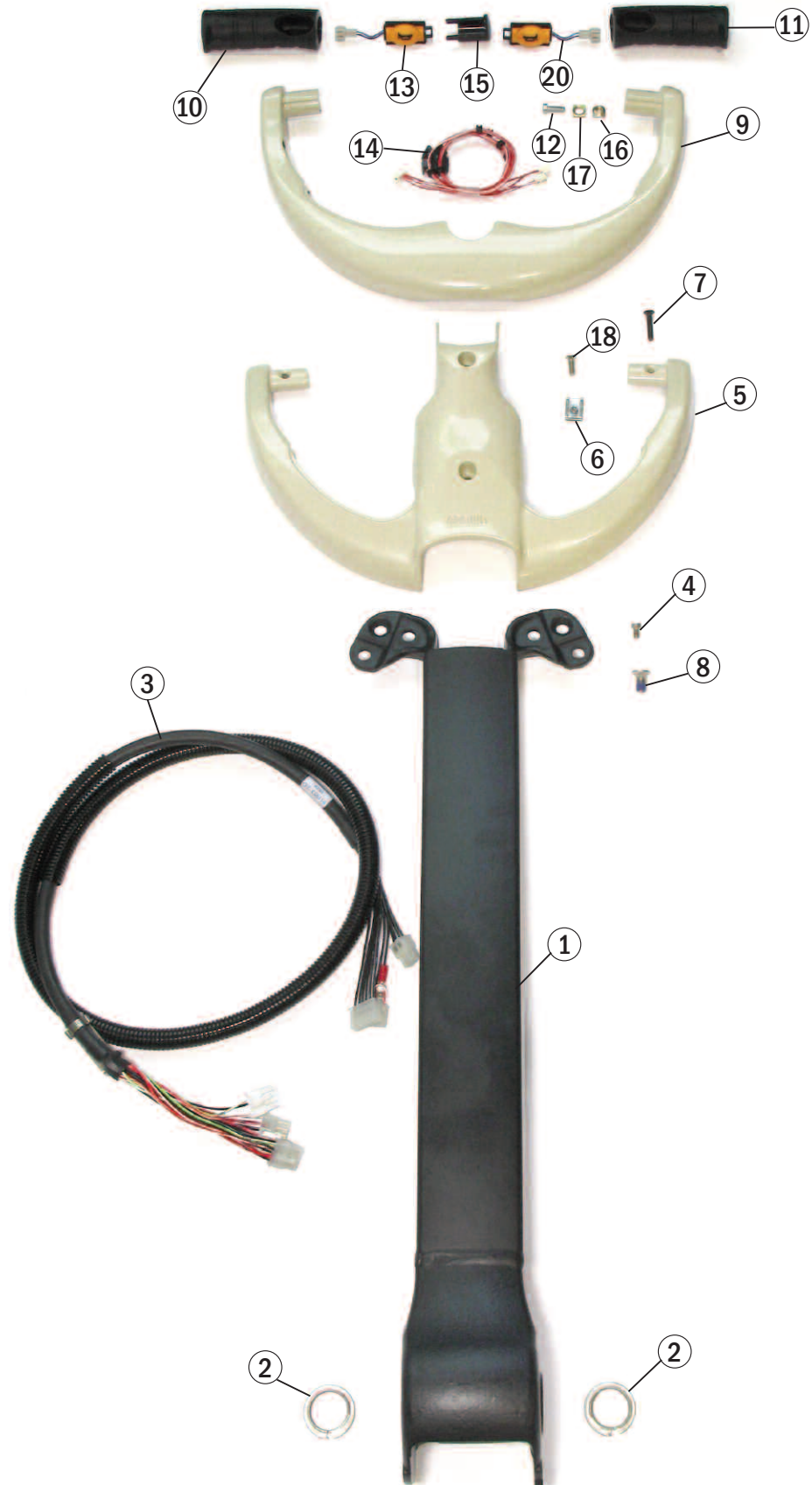
Drive Motor, Brake and Contactor



Drive Motor, Brake and Contactor

Item	Part No.	Description
1	CR 805839-R	Traction motor (rebuilt)
2	CR 128092	Brush Kit, incl. 4 brushes & 4 springs
3	CR 807102	Brake assembly
4	CR 802820	Contactor (pump & line)
5	CR 803689	Fixed contact
6	CR 803690	Movable contact
7	CR 805770-001	Pump and motor assembly
8	CR 128091	Brush & spring kit
9	CR 805600	Lift cylinder assembly
10	CR 128093	Seal kit

Control Handle

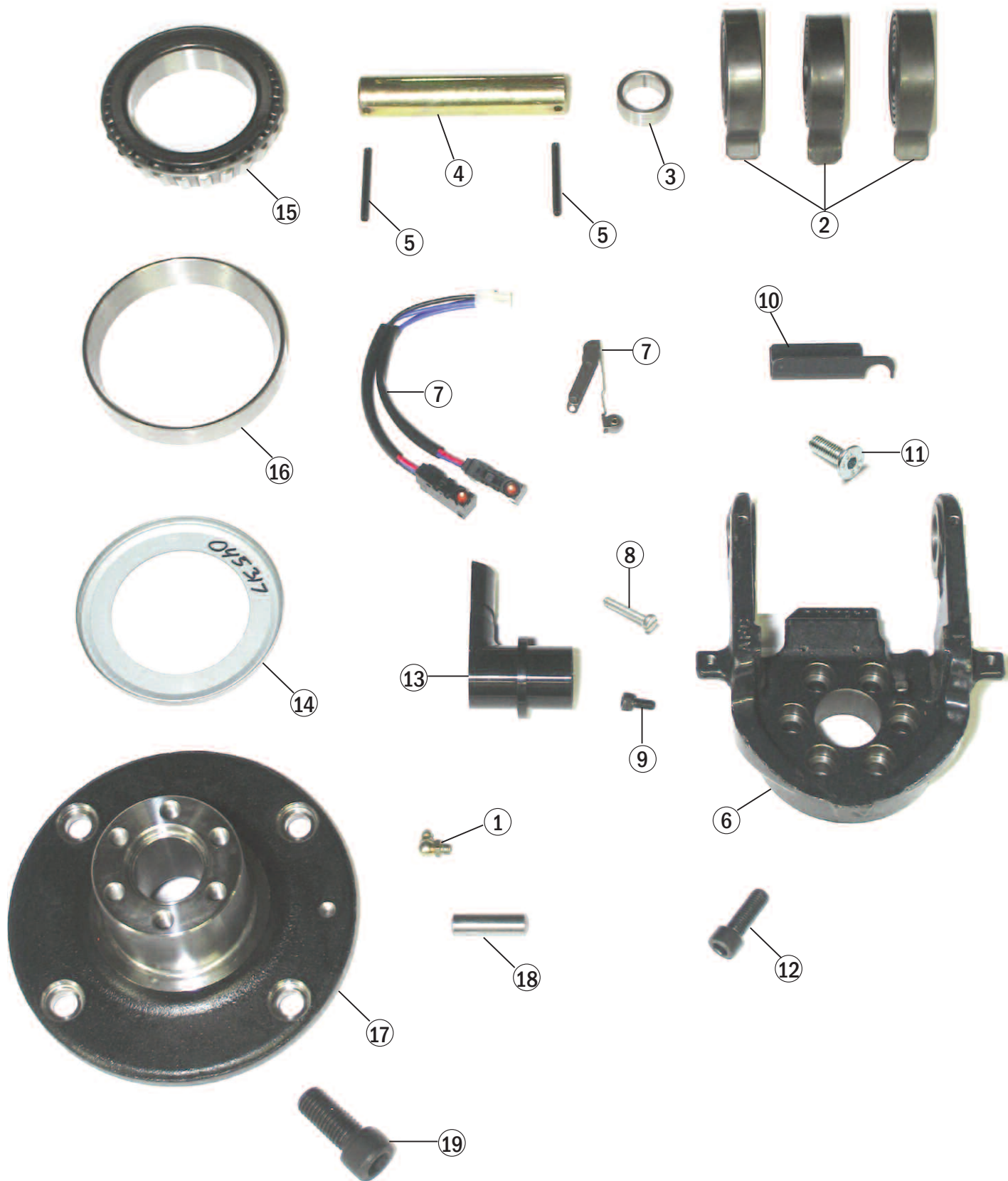


Control Handle

Item	Part No.	Description
1	CR 808799	Tiller
2	CR 051058-001	Bushing
3	CR 811953	Tiller Harness
4	CR 812894-002	Screw
5	CR 808986	Lower Shell
6	CR 792940	Nut
7	CR 812893-003	Screw
8	CR 812893-001	Screw
9	CR 808985	Upper Shell
10	CR 808987-001	Hand Grip (RH)
11	CR 808987-002	Hand Grip (LH)
12	CR 812894-003	Screw
13	CR 811932-002	Horn Switch (HNS2)
14	CR 811931	Horn Harness
15	CR 810336	Plug
16	CR 814286	Nut
17	CR 814287	Washer
18	CR 812893-004	Screw
19	CR 811913-001-01	Handle Assembly (not shown)
20	CR 811932-001	Horn Switch (HNS1)

Crown WP 2300 Series

Knuckle

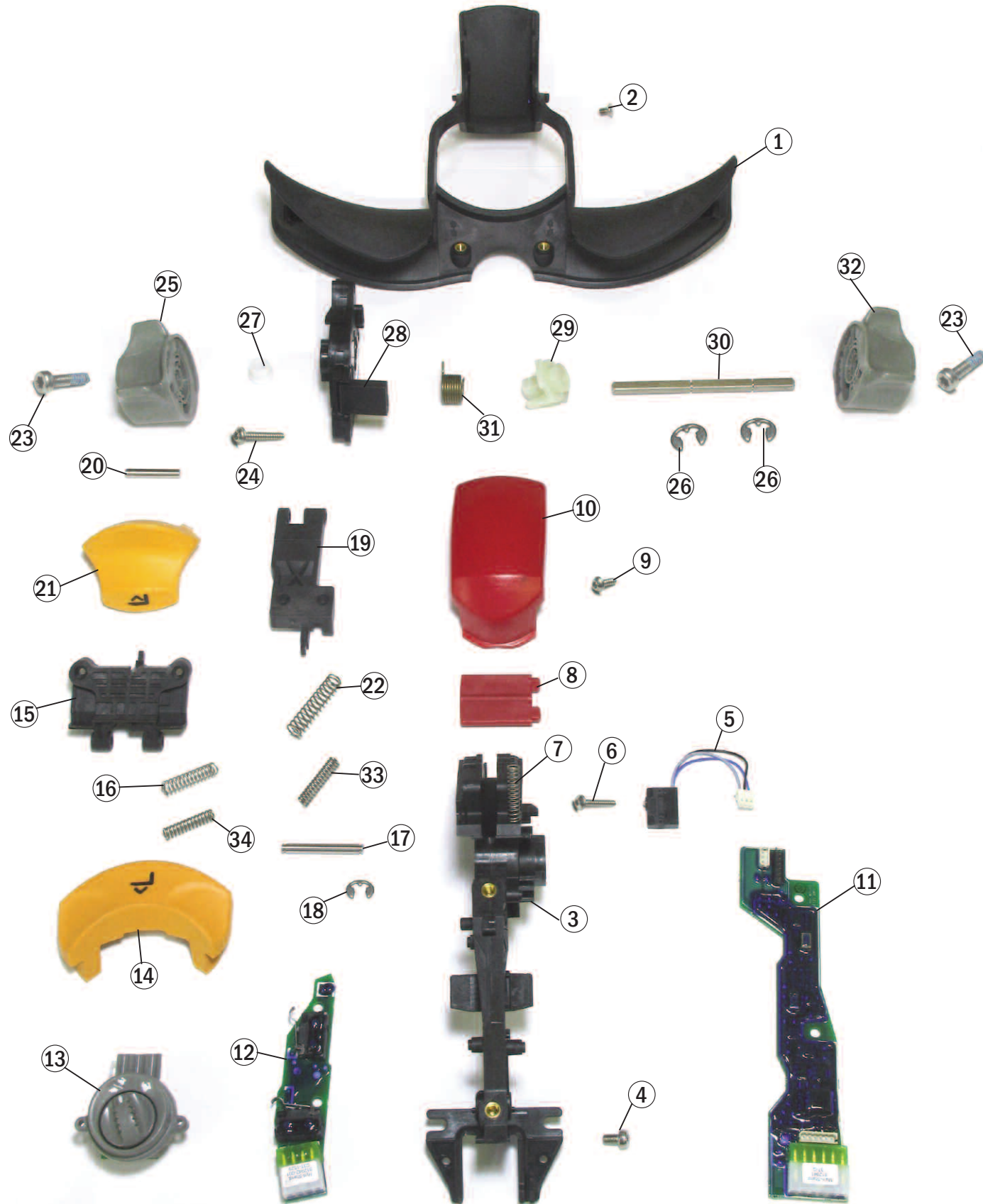


Crown WP 2300 Series

Knuckle

Item	Part No.	Description
1	CR 054011-006	Fitting
2	CR 803013	Spring
3	CR 803353	Spacer
4	CR 805760	Shaft
5	CR 050000-015	Roll Pin
6	CR 045215	Knuckle
7	CR 805859	Switch
	CR 803310	Actuator
8	CR 050004-032	Screw
9	CR 050005-061	Screw
10	CR 805738	Damper sheet
11	CR 050003-010	Screw
12	CR 050005-032	Screw
13	CR 045234	Cable protector
14	CR 045317	Seal metallic
15	CR 045319	Bearing
16	CR 045318	Bearing outer race
17	CR 045222	Flange
18	CR 050052-004	Pin
19	CR 050005-037	Screw

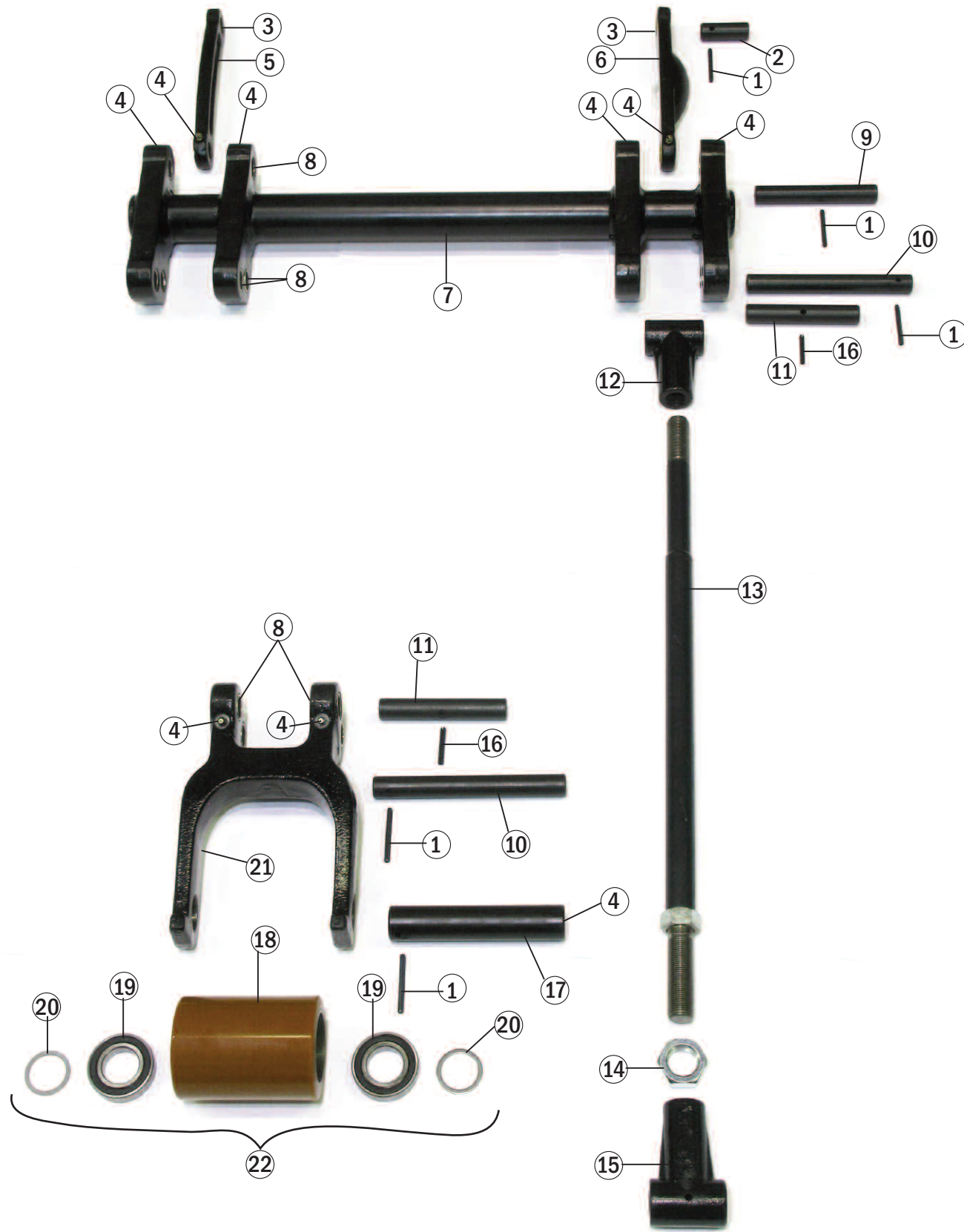
Control Handle Cap



Control Handle Cap

Item	Part No.	Description
1	CR 808951-001	Switch Cover
2	CR 812893-002	Screw
3	CR 810328	Support
4	CR 812894-002	Screw
5	CR 811935	Micro-Switch SAS
6	CR 803469-018	Screw
7	CR 051057-026	Spring
8	CR 811936	Button Bridge
9	CR 803469-017	Screw
10	CR 808992	Button
11	CR 812941	Main PC Board
	CR 812272	Main PC Board F/C
12	CR 812942-001	Hydraulic PC Board
	CR 812273-001	Hydraulic PC Board F/C
13	CR 811941	Fast/Slow Switch, HSS
	CR 812877	Fast/Slow Switch, F/C, HSS
14	CR 808990	Lower Cover
15	CR 810332	Support
16	CR 051057-021	Spring
17	CR 811940	Shaft
18	CR 050012-075	Retaining Ring
19	CR 810331	Support
20	CR 811939	Shaft
21	CR 808989	Lift Cover
22	CR 051057-023	Spring
23	CR 812894-004	Screw
24	CR 803469-023	Screw
25	CR 808993-002	Thumb Wheel LH
26	CR 050012-076	Retaining Ring
27	CR 810335	Bushing
28	CR 813533	Traction Potentiometer POT
	CR 813534	Traction Potentiometer POT F/C
29	CR 810333	Activator
30	CR 811937	Shaft
31	CR 812884	Spring
32	CR 808993-001	Thumb Wheel RH
33	CR 051057-028	Spring
34	CR 051057-022	Spring

Frame and Undercarriage



Frame and Undercarriage

Item	Part No.	Description	Application
1	CR 050000-015	Poll Pin	
2	CR 045433	Shaft	
3	CR 055084-008	Bushing	
4	CR 054011-006	Lube fitting	
5	CR 805761-002	Upper link assembly, w/bushings (R.H.)	
6	CR 805754-002	Upper link assembly, w/bushings (L.H.)	
7	CR 805773-002-04	Lower link assembly (27") (Fork spread 7)	
8	CR 055084-009	Bushing	
9	CR 807097	Shaft	
10	CR 045224	Axle	
11	CR 045469	Axle	
12	CR 045292-001	Tension bar end (L.H.THD)	
13	CR 045482-002-06	Tension bar (48" forks) 7.8" battery comp.	
14	CR 060021-019	Nut	
15	CR 045292-002	Tension bar end (R.H.)	
16	CR 050000-017	Roll pin	
17	CR 045477	Axle	
18	CR 813015	Poly load wheel (95A)	
19	CR 065081-62	Bearing, rubber shield	
20	CR 060030-173	Washer	
21	CR 805920-002	Riser assembly, incl. items 4 and 8	
22	CR 813014	Load wheel assembly, incl. items 18, 19 and 20	

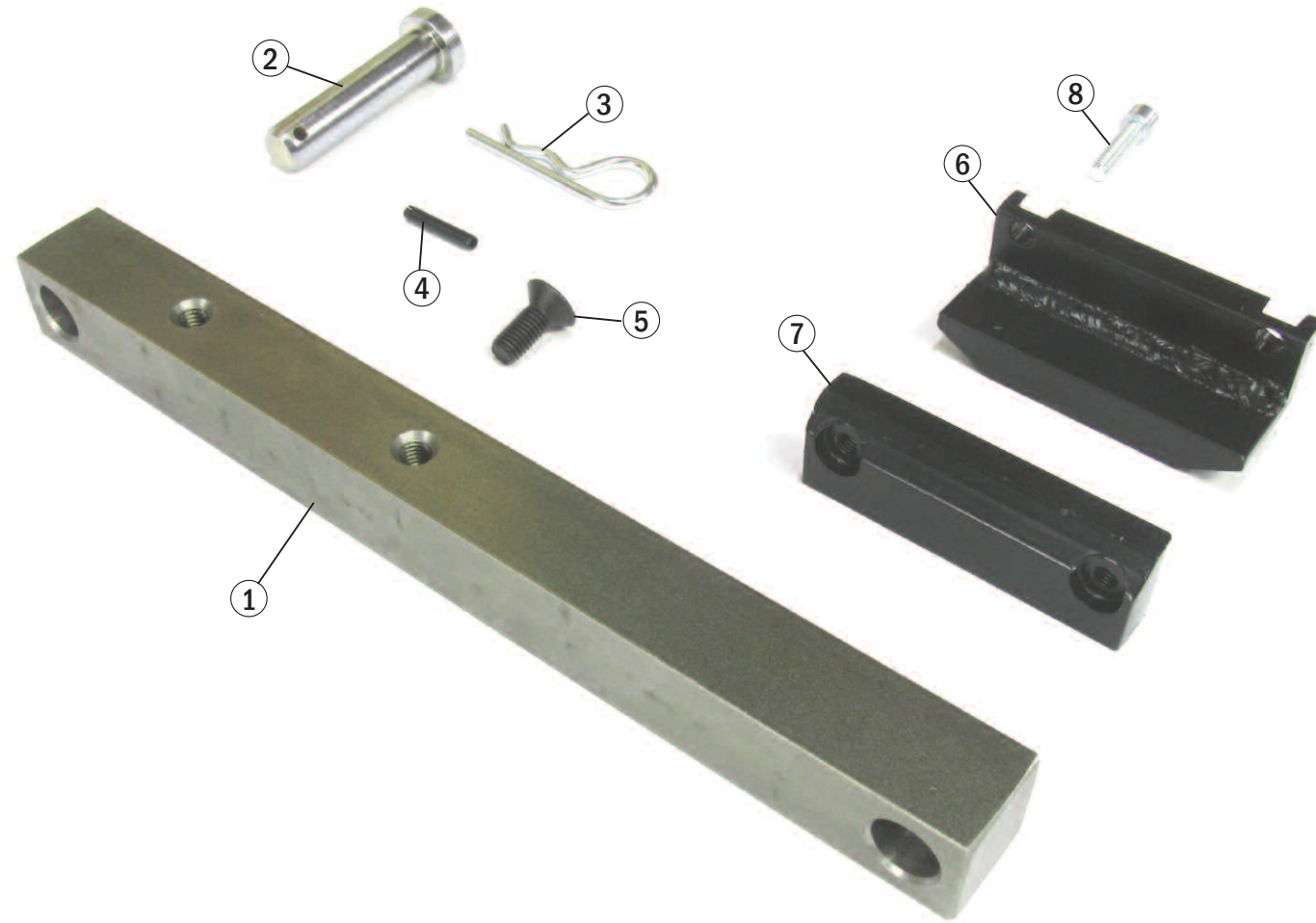
Skid Plate/Casters



Skid Plate/Casters

Item	Part No.	Description	Application
1	CR 808262	Skid plate	
2	CR 050067-043	Screw, skid plate	
3	CR 805888-010	Caster wheel assembly, incl. item 4	
4	CR 805888-012	Bearing	
5	CR 050000-047	Roll pin	
6	CR 805888-009	Wheel axle	
7	CR 805888-008	Pivot axle	
8	CR 805888-001	Caster Assembly	

Backrest Hardware & Wear Plate



Backrest Hardware & Wear Plate

Item	Part No.	Description	Application
1	CR 813051	Pivot Block	
2	CR 813050	Clevis Pin	
3	CR 050026-002	Cotter Pin	
4	CR 050000-012	Roll Pin	
5	CR 050003-043	Screw	
6	CR 131257	Wear Plate	
7	CR 131260	Retainer Plate	
8	CR 50005-025	Screw	



800-462-2370
Fax 800-366-5939
www.SuperStoresService.com