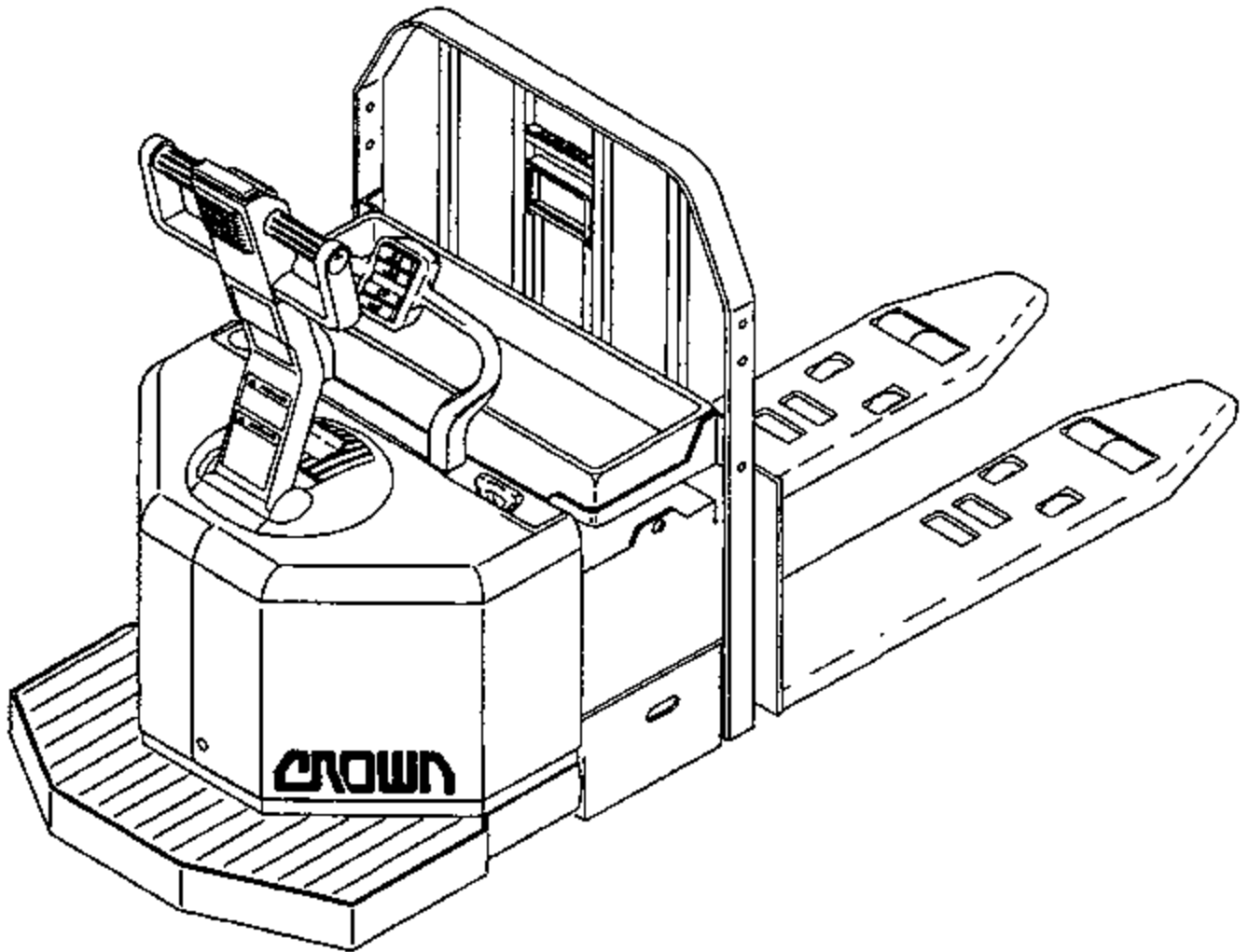


**Replacement Parts**  
**for**  
**Crown PE 3000 Series**



# Truck Data Nomenclature

## Standard/Special Truck

- = Standard; C = Custom; S = Special

### Fork Width

### Fork Length

### Fork Tip

- = Standard; T = Tandem; E = Extended

### Battery Compartment

N = Narrow 6.69" or 7.94" (170 or 200mm); W = Wide 13.19" (335mm)

### Axle

- = Single; T = Tandem

### Freezer/Corrosion

- = Without Conditioning; F = Freezer Condition; C = Corrosion Condition

### Control

- = Resistor; C = Curtis Transistor; S = Sevcon Transistor

### Casters

- = Standard; A = Quick Adjustment;  
T = Quick Adjustment w/Torsion Bar

### Drive Tires

RU = Rubber, Black-Lugged	CP = Poly, Cream-Smooth
SR = Rubber, Black-Siped	** = Special
WR = Rubber, White-Lugged	AP = 5.5" Wide Poly
LR = Rubber, Fiberglass impregnated	DP = Diamond Siped Poly
PO = Poly, Black-Smooth	HP = High Crown Poly
SP = Poly, Black-Siped	RP = Razor Siped Poly
GP = Poly, Black-Grooved	RL = Lugged Rubber
	RS = Smooth Rubber

- 27 48 E W S - C T RU BD - A - R C

### Meter Options

DM = Discharge Volt Meter  
KE = Key Only  
HM = Hour Meter  
HD = Hour & Discharge Volt Meter  
BD = Unigage (Integral Hour, Volt & Battery Interrupt)

### Internal Hour Meter

- = Without Meter; I = Internal Hour Meter

### Travel Alarm

- = Without Travel Alarm; A = Travel Alarm

### Key/Toggle Switch

- = Key Switch; T = Toggle Switch

### Battery Rollout

- = Without Battery Rollout; R = Battery Rollout;  
I = Battery Rollout & Battery Retainer Switches

### Storage Compartment

- = Without Storage; B = Storage Mounted on Load Backrest;  
C = Storage Mounted on Battery Cover

# Contents

Quick Wheel Lookup	4
--------------------	---

## Electrical

Miscellaneous: Keys, Gauges, Connectors, Horn	6
Contactor Panel - Resistor (to S/N 132473)	8
Contactor Panel - Resistor (S/N 132473 and up)	10
Contactor Panel - Transistor (Curtis)	12
Contactor Panel - Transistor (Sevcon)	14

## Drive Unit/Brakes

Drive Unit Assembly	16
Drive Motor	18
Brakes	20

## Handle/Control Assembly

Control Pod	
Resistor	22
Resistor - Quickpick	24
Resistor - Freezer Corrosion	26
Resistor - Quickpick and Freezer Corrosion	28
Transistor	30
Transistor - Quickpick	32
Transistor - Freezer Corrosion	34
Transistor - Quickpick and Freezer Corrosion	36
Handle Control Arm and Wiring Harness	38
Grab Bar and Mat	40

## Hydraulic

Power Unit	42
Lift Cylinder	44

## Frame and Undercarriage

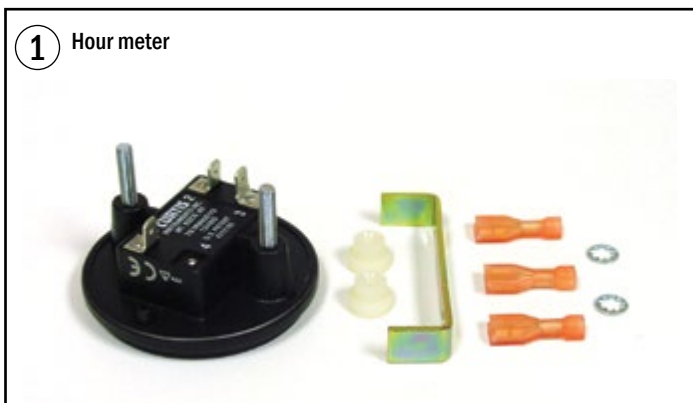
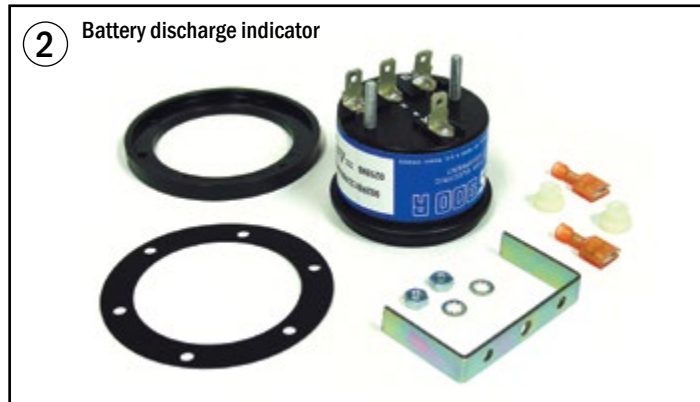
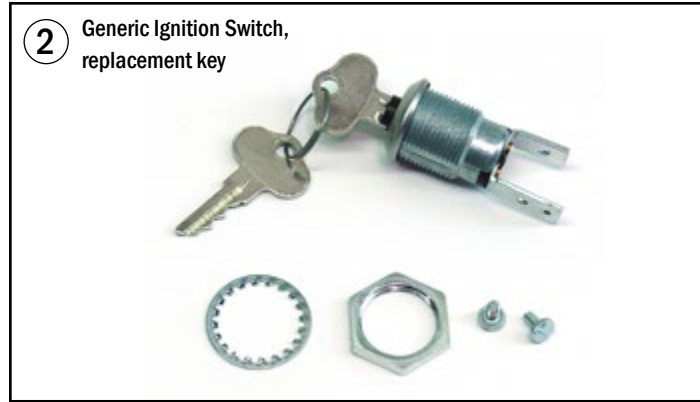
Riser Assembly 9" and 10" Forks	
Single Wheel	46
Dual Wheels	48
Tandem Wheels	50
Riser Assembly 7" Forks - Tandem Wheels	52
Rear Lift Linkage	54
Tension Bars	56
Entry Bracket/Rollers	58
Casters - Standard	60
Casters - Quick Adjustment	62

## Quick Wheel Lookup

## Quick Wheel Lookup

OEM #	Wheel Type	Manuf.	Part #	Description	Wheel OD in/mm	Tread Width in/mm	Hub Width in/mm	Hub ID in/mm	Bearing OD in/mm	Bearing #	Material/ Color
CR 100462	Load Wheel	Generic	GW 9141	Poly Load Wheel-Single	3.250 / 83	6.500 / 165	6.500 / 165		2.047 / 52	6205Z (4)	Scotch, 95-A
	Load Wheel	Superior	SU 9141	Poly Load Wheel-Single	3.250 / 83	6.500 / 165	6.500 / 165		2.047 / 52	6205Z (4)	Maroon, 95-A
	Load Wheel	Superior	SU 9141-EZ	Poly Load Wheel-Single	3.250 / 83	6.500 / 165	6.500 / 165		2.047 / 52	6205Z (4)	Red, 85-A
	Load Wheel	Superior	SU 9141-XL	Poly Load Wheel-Single	3.250 / 83	6.500 / 165	6.500 / 165		2.047 / 52	6205Z (4)	Cream, 97-A
	Load Wheel	Falcon	FL 9136	Poly Load Wheel-Single	3.250 / 83	6.500 / 165	6.500 / 165		2.047 / 52	6205Z (4)	Burgundy, 90-A
	Load Wheel	Falcon	FL 9136-HL	Poly Load Wheel-Single	3.250 / 83	6.500 / 165	6.500 / 165		2.047 / 52	6205Z (4)	Yellow, 95-A
	Load Wheel	Falcon	FL 9136-ML	Poly Load Wheel-Single	3.250 / 83	6.500 / 165	6.500 / 165		2.047 / 52	6205Z (4)	Green, 97-A
CR 77084	Load Wheel	Generic	GW 9133	Poly Load Wheel-Dual	3.250 / 83	3.250 / 83	3.250 / 83		2.047 / 52	6205Z	Scotch, 95-A
	Load Wheel	Superior	SU 9133	Poly Load Wheel-Dual	3.250 / 83	3.250 / 83	3.250 / 83		2.047 / 52	6205Z	Maroon, 95-A
	Load Wheel	Superior	SU 9133-EZ	Poly Load Wheel-Dual	3.250 / 83	3.250 / 83	3.250 / 83		2.047 / 52	6205Z	Red, 85-A
	Load Wheel	Superior	SU 9133-XL	Poly Load Wheel-Dual	3.250 / 83	3.250 / 83	3.250 / 83		2.047 / 52	6205Z	Cream, 97-A
	Load Wheel	Falcon	FL 9133	Poly Load Wheel-Dual	3.250 / 83	3.250 / 83	3.250 / 83		2.047 / 52	6205Z	Burgundy, 90-A
	Load Wheel	Falcon	FL 9133-HL	Poly Load Wheel-Dual	3.250 / 83	3.250 / 83	3.250 / 83		2.047 / 52	6205Z	Yellow, 95-A
	Load Wheel	Falcon	FL 9133-ML	Poly Load Wheel-Dual	3.250 / 83	3.250 / 83	3.250 / 83		2.047 / 52	6205Z	Green, 97-A
CR 77086	Load Wheel	Generic	GW 9135	Poly Load Wheel-Tandem	3.250 / 83	5.000 / 127	5.000 / 127		2.047 / 52	6205Z	Scotch, 95-A
	Load Wheel	Superior	SU 9135	Poly Load Wheel-Tandem	3.250 / 83	5.000 / 127	5.000 / 127		2.047 / 52	6205Z	Maroon, 95-A
	Load Wheel	Superior	SU 9135-EZ	Poly Load Wheel-Tandem	3.250 / 83	5.000 / 127	5.000 / 127		2.047 / 52	6205Z	Red, 85-A
	Load Wheel	Superior	SU 9135-XL	Poly Load Wheel-Tandem	3.250 / 83	5.000 / 127	5.000 / 127		2.047 / 52	6205Z	Cream, 97-A
	Load Wheel	Falcon	FL 9135	Poly Load Wheel-Tandem	3.250 / 83	5.000 / 127	5.000 / 127		2.047 / 52	6205Z	Burgundy, 90-A
	Load Wheel	Falcon	FL 9135-HL	Poly Load Wheel-Tandem	3.250 / 83	5.000 / 127	5.000 / 127		2.047 / 52	6205Z	Yellow, 95-A
	Load Wheel	Falcon	FL 9135-ML	Poly Load Wheel-Tandem	3.250 / 83	5.000 / 127	5.000 / 127		2.047 / 52	6205Z	Green, 97-A
CR 79494	Drive Tire	Superior	SU 13x4.5x8-SF-P	Poly Drive Tire-Smooth Flat	13 / 330	4.50 / 114		8.00 / 203			Maroon, 91-A
	Drive Tire	Superior	SU 13x4.5x8-SC-EZ	Poly Drive Tire-Smooth Crown	13 / 330	4.50 / 114		8.00 / 203			Red, 85-A
	Drive Tire	Superior	SU 13x4.5x8-SC-XL	Poly Drive Tire-Smooth Crown	13 / 330	4.50 / 114		8.00 / 203			Cream, 93-A
	Drive Tire	Falcon	TI 126	Poly Drive Tire- Smooth Flat	13 / 330	4.50 / 114		8.00 / 203			Burgundy, 90-A
CR 74458	Drive Tire	Superior	SU 13.5x5.5x8-SF-R	Rubber Drive Tire-Smooth Flat	13.50 / 343	5.50 / 140	8.00 / 203				Black
	Drive Tire	Falcon	RT 133	Rubber Drive Tire-Smooth Flat	13.50 / 343	5.50 / 140	8.00 / 203				Black
CR 82694-1	Caster Assy	Superior	STR2001	Standard							Maroon, 95-A
	Caster Assy	Superior	STR2001FS	Grease Axle, Zinc Plated							Cream, 97-A
CR 115374-001	Caster Assy	OEM	CR 115374-001	Quick Adj. W/ Torsion Bar							Set of 2
CR 115374-002	Caster Assy	OEM	CR 115374-002	Quick Adj. W/O Torsion Bar							Set of 2
CR 83179	Caster Wheel	Generic	GW 9143	Incl. Bearings, washers	4.00 / 102	2.50 / 63				6205Z	Scotch, 95-A

**Miscellaneous**

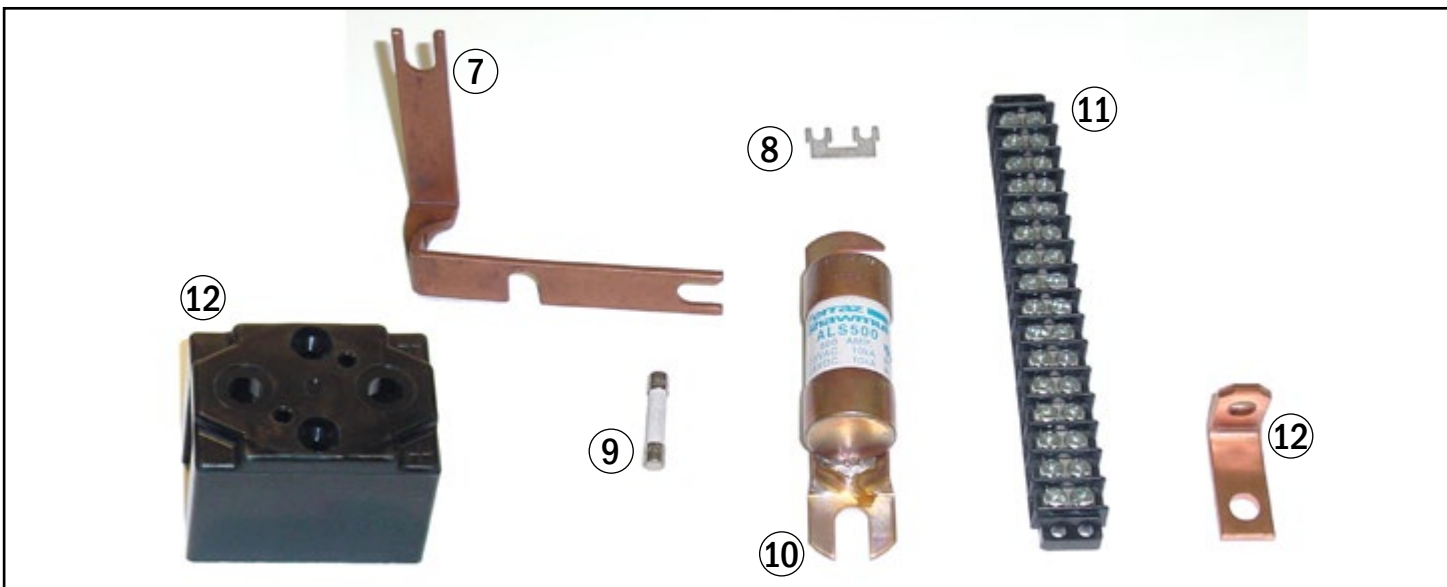
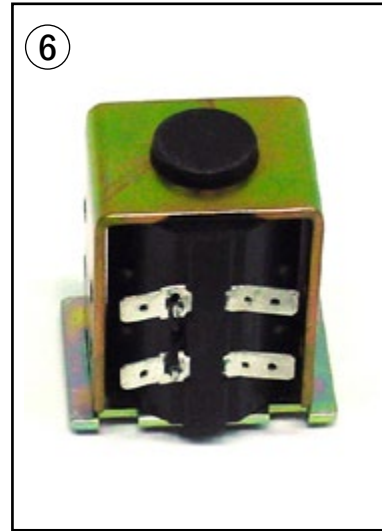


**Miscellaneous**

Item	Part No.	Description
1	CR 72708-OEM	Ignition switch, Original
	CR 107151-001-OEM	Replacement key, OEM molded key
	CR 107151-001-OEM-G	Replacement key, Non-molded, fits OEM ignition
2	CR 72708	Ignition switch Generic
	CR 107151-001	Replacement key, Fits Generic Ignition
3	CR 77917-002	175 Gray connector, w 1/0 Lug
	CR 77917-001	350 Gray connector, w 2/0 Lug
	CR 77917-005	50 Gray connector, w 6mm Lug
4	CR 115083	Battery discharge indicator
5	CR 113773-001	Hour meter, 3 Terminal, 9-60V
6	CR 115874	Unigage, Battery discharge/hr. meter
7	CR 78708-4	Horn, 24V
8	CR 121329-001	Mat



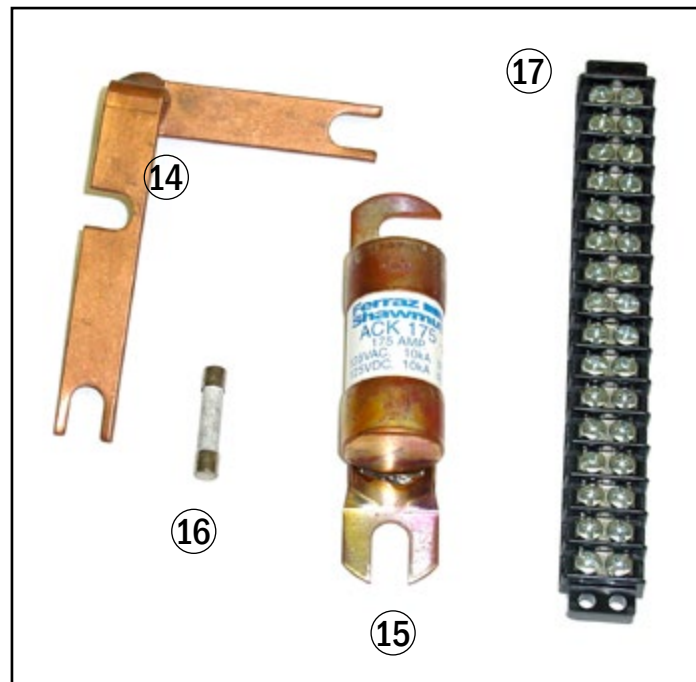
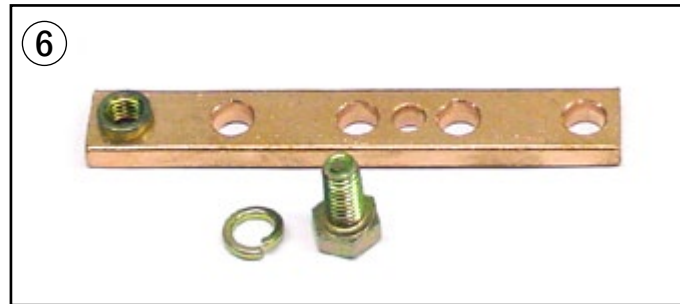
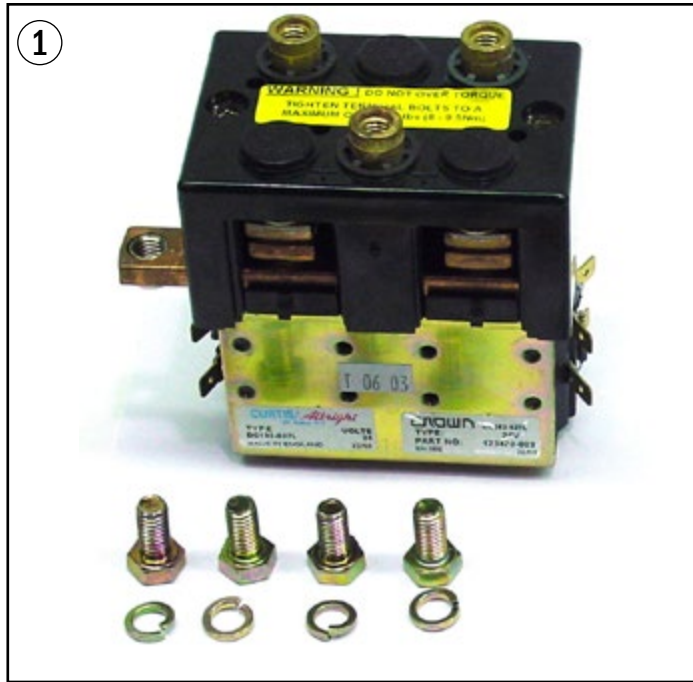
## Contactor Panel - Resistor (to S/N 132473)



## Contactor Panel - Resistor (to S/N 132473)

Item	Part No.	Description
1	CR 116794-003	Contactor, forward and reverse
2	CR 116794-003-KIT	Contactor Kit
3	CR 110613-003	Contactor, 2nd and 3rd speed
4	CR 117162	Contact tip kit
5	CR 117160	Coil, 24V, 2nd and 3rd speed
6	CR 116785	Bus bar
7	CR 112230	Bus bar
8	CR 094362-002	Fuse, 15A
9	CR 076924-006	Fuse, 175A
10	CR 079564-011	Terminal
11	CR 087652	Bus bar
12	CR 114436	Top cover

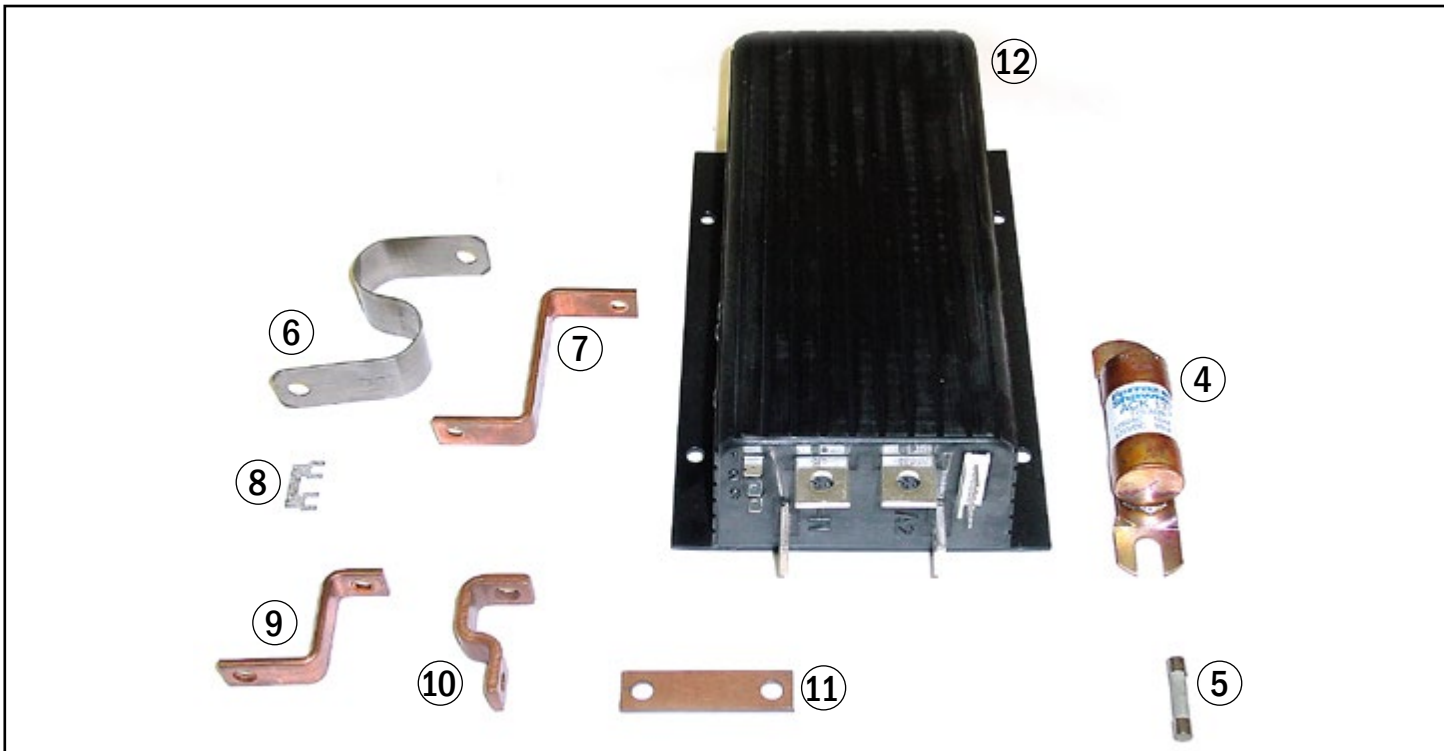
## Contactor Panel - Resistor (S/N 132472 and up)



## Contactor Panel - Resistor (S/N 132472 and up)

Item	Part No.	Description
1	CR 123470-003	Contactor, forward and reverse
2	CR 060063-006	Screw
3	CR 050010-020	Lockwasher
4	CR 126123	Return spring, two included
5	CR 107348	Moving contact, two included
6	CR 126124	Fixed contact
7	CR 119130	Insulator, two included
8	CR 110613-003	Contactor A & B, 2nd and 3rd speed
9	CR 117157	Fixed contact
10	CR 117158	Moving contact
11	CR 114436	Top cover
12	CR 117159	Return spring
13	CR 123601	Bushing
14	CR 116785	Bus bar
15	CR 076924-006	Fuse, 175A
16	CR 094362-002	Fuse, 15A
17	CR 079564-011	Terminal block

## Contactor Panel - Transistor (Curtis)



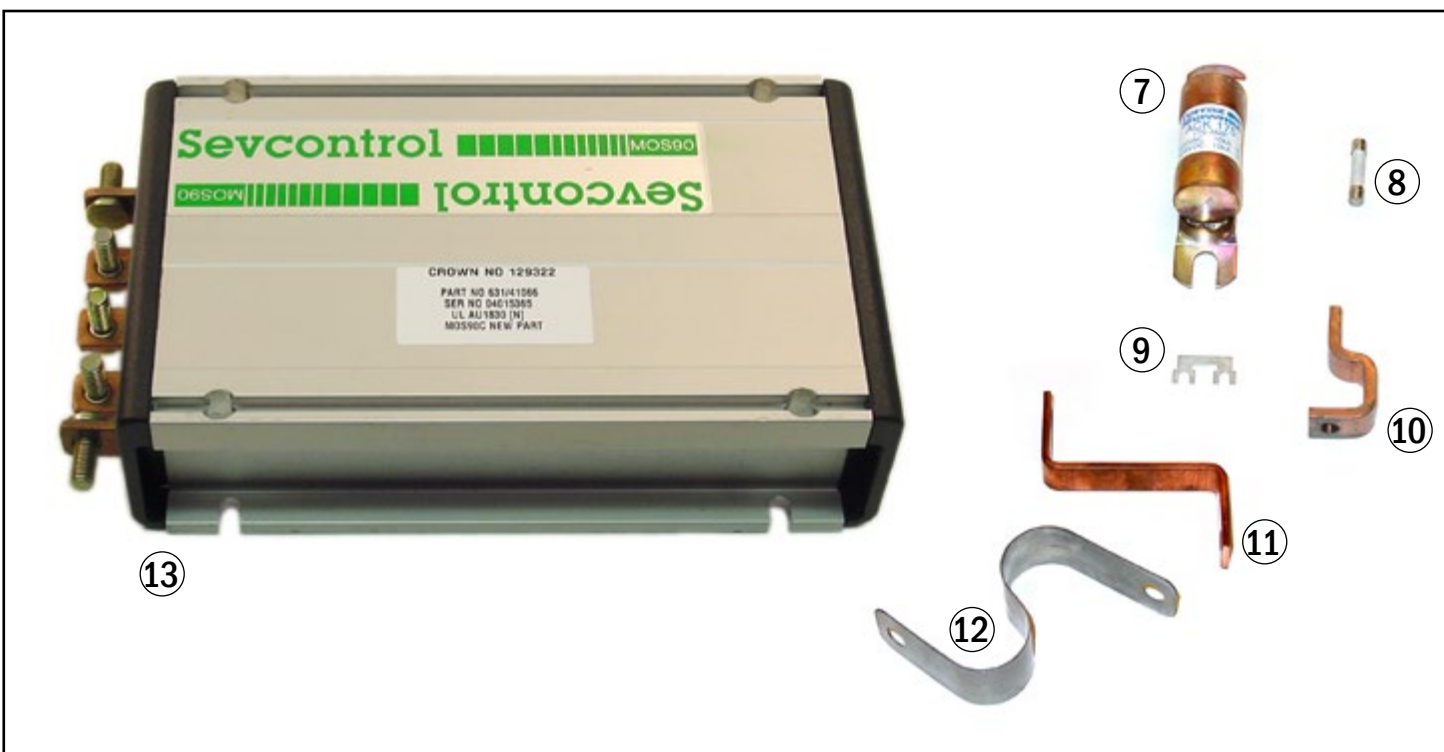
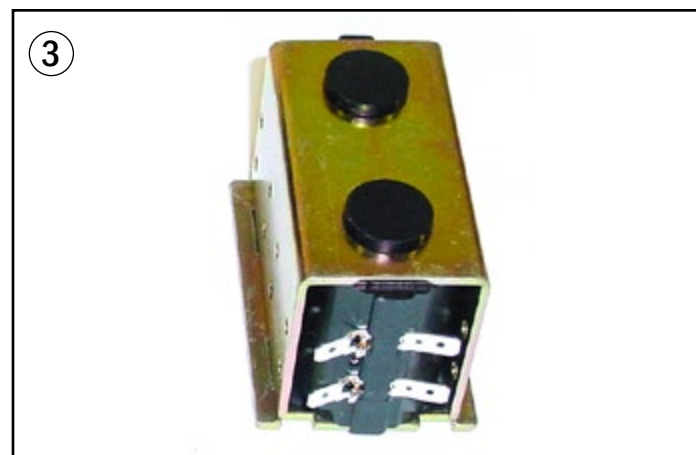
## Contactor Panel - Transistor (Curtis)

Item	Part No.	Description
1	CR 116794-002	Contactor, forward and reverse
2	CR 116794-002-KIT	Contactor Kit, incl. tips & tops
3	CR 117156	Coil, 24V
4	CR 076924-006	Fuse, 175A
5	CR 094362-002	Fuse, 15A
6	CR 116594	Resistor
7	CR 116550	Bus bar
8	CR 112230	Bus bar
9	CR 116596	Bus bar
10	CR 116798	Bus bar
11	CR 116595	Bus bar
12	CR 123813-R CR 123813-C	Controller - rebuilt*, Curtis Core deposit

\* Pricing based on return of rebuildable core.



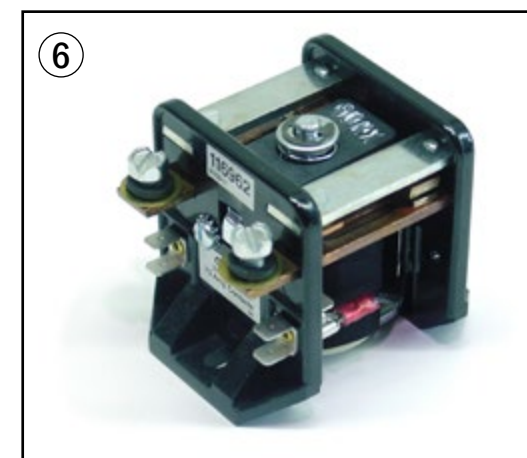
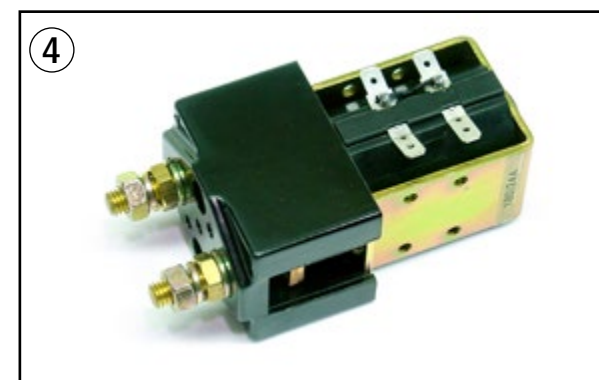
## Contactor Panel - Transistor (SEVCON)



## Contactor Panel - Transistor (SEVCON)

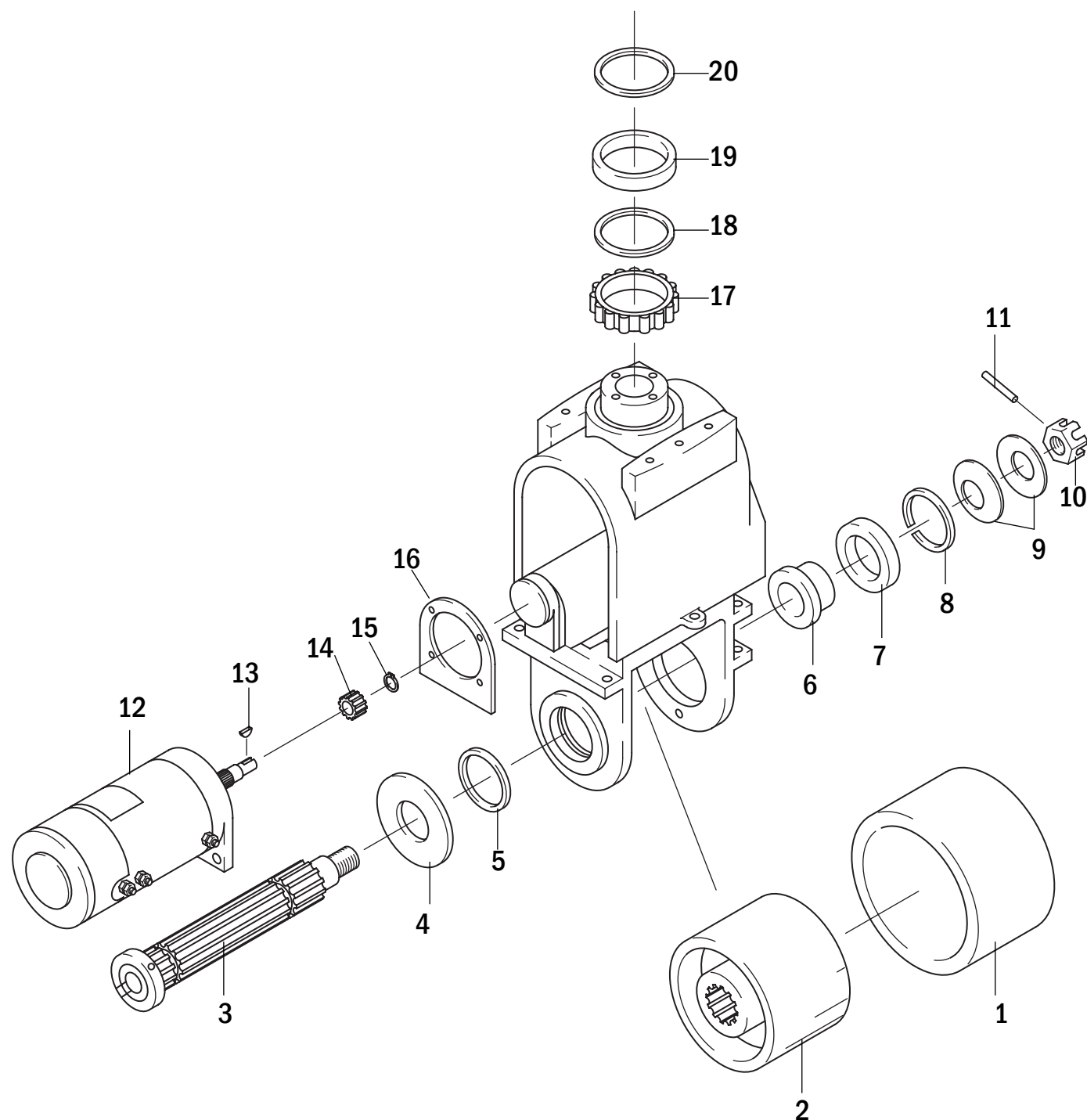
Item	Part No.	Description
1	CR 116794-002	Contactor, forward and reverse
2	CR 116794-002-KIT	Contactor Kit, incl. tips & tops
3	CR 117156	Coil, 24V
4	CR 110613-001	Contactor
5	CR 120091	Contact tip Kit
6	CR 116962	Contactor FW, High speed option
7	CR 076924-006	Fuse, 175A
8	CR 094362-002	Fuse, 15A
9	CR 112230	Bus bar
10	CR 116798	Bus bar
11	CR 116550	Bus bar
12	CR 116594	Resistor
13	CR 121824-R CR 121824-C	Controller - rebuilt*, Sevcon Core deposit

\* Pricing based on return of rebuildable core.





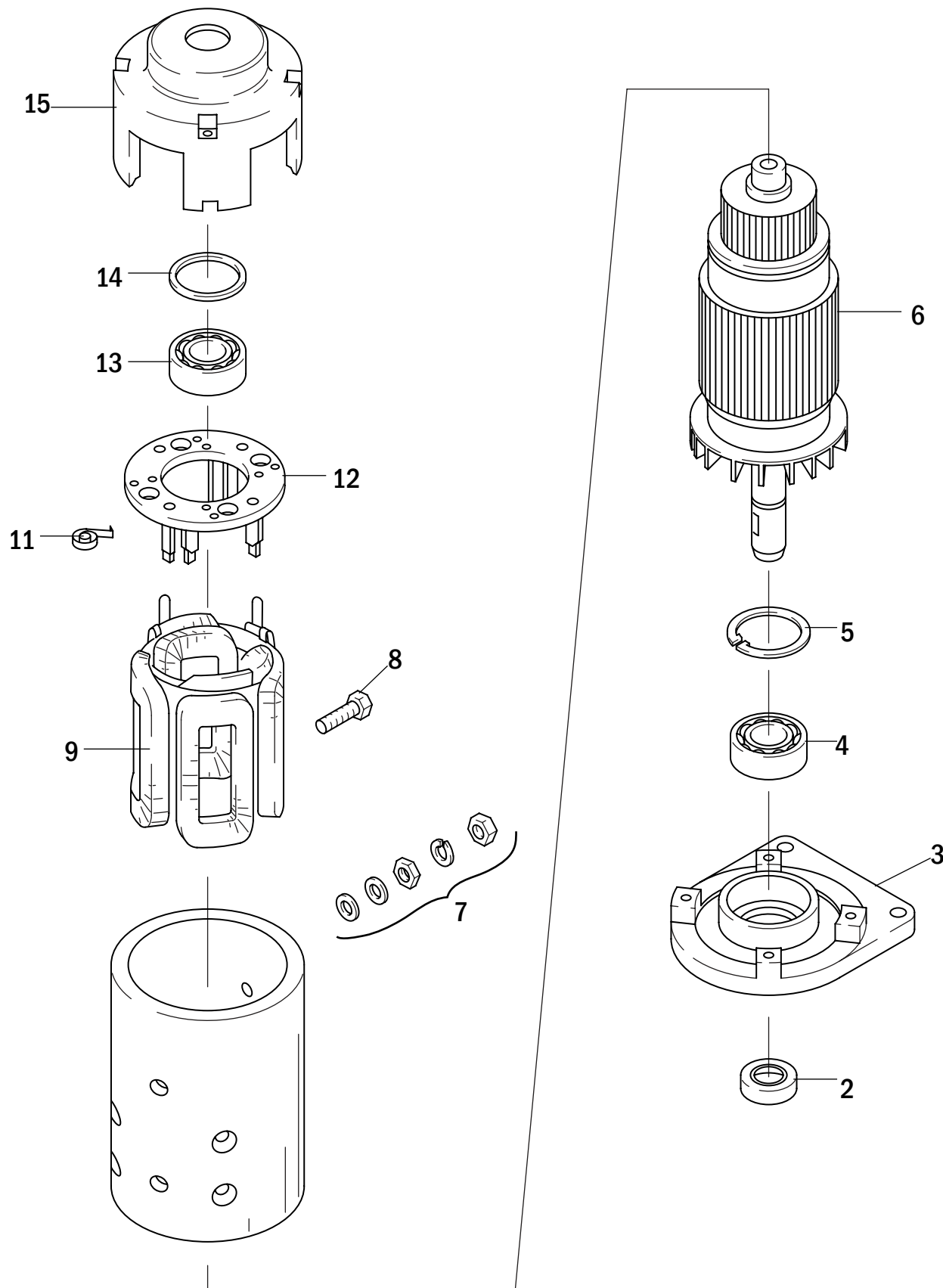
## Drive Unit



## Drive Unit

Item	Part No.	Description
1	CR 79494	Poly drive tire, 13" x 4.5" x 8"
	SU 13x4.5x8-FT-P	Poly drive tire, 95-A, smooth flat
	SU 13x4.5x8-SC-EZ	Poly drive tire, 85-A, smooth Crown
	SU 13x4.5x8-SC-XL	Poly drive tire, 97-A, smooth Crown
	FL TI126	Poly drive tire, 90-A, smooth flat
	CR 74458	Rubber drive tire, 13.5" x 5.5" x 8"
	SU 13.5x5.5x8-SF-R	Rubber drive tire, Smooth, flat
	FL RT133	Rubber drive tire, Smooth, flat
2	CR 113361	Drive Wheel hub, 8" x 5.5"
3	CR 113356	Drive axle
4	CR 90724	Slinger
5	CR 93613	Oil Seal
6	CR 113359-001	Adaptor bearing
7	CR 65081-055	Ball bearing
8	CR 60009-040	Retaining ring
9	CR 113367	Beveled washer
10	CR 60021-039	Nut
11	CR 60000-022	Roll pin
12	CR 20168	Drive motor - Generic (see drive motor section for replacement parts)
13	CR 61008-002	Woodruff key
14	CR 74784	Pinion gear
	CR 79497	Pinion gear, w/high speed option
15	CR 60009-011	Retaining ring
16	CR 73432	Gasket
17	CR 77015	Bearing cone
18	CR 73817	Felt seal
19	CR 77014	Bearing cup
20	CR 73818	Felt seal

## Drive Motor



## Drive Motor

Item	Part No.	Description
1	CR 20168	Drive Motor - Generic, OEM Motor parts
2	CR 78499	Oil seal, OEM Motor parts
3	CR 20157	Head, OEM Motor parts
4	CR 65081-052	Bearing, OEM Motor parts
5	CR 60009-144	Retaining ring, OEM Motor parts
6	CR 20167	Armature, OEM Motor parts
7	CR 113327	Terminal stud kit, OEM Motor parts
8	CR 60078-003	Screw, OEM Motor parts
9	CR 20165	Field coil, OEM Motor parts
10	CR 113328	Brush set (4), OEM Motor parts
11	CR 113329	Spring set (4), OEM Motor parts
12	CR 20018	Brush holder, OEM Motor parts
13	CR 65081-051	Bearing, OEM Motor parts
14	CR 60046-016	Washer spring, OEM Motor parts
15	CR 20004	Communtator end head, OEM Motor parts

## Brakes



## Brakes

Item	Part No.	Description
1	CR 73374	Switch
2	CR 109597	Brake shoe, non-asbestos
3	CR 80968	Brake drum



# Resistor Control Pod



# Resistor Control Pod

Item	Part No.	Description
1	CR 115331	Yoke
2	CR 089317	Pod
3	CR 115675	Grip
4	CR 060000-108	Roll pin
5	CR 093904-001	Cap button
6	CR 089324-001	Red body button
7	CR 088975	Bellow
8	CR 060032-035	Self tapping screw
9	CR 093068	Retainer
10	CR 080695	Spring
11	CR 060032-032	Self tapping screw
12	CR 060012-023	Screw #6
13	CR 073375	Switch
14	CR 089521	Bar
15	CR 092224	Split bushing
16	CR 060030-163	Flat washer
17	CR 089510	Bushing
18	CR 065003-017	Sleeving
19	CR 073371	Spring
20	CR 092586	Arm detent
21	CR 060000-075	Roll pin
22	CR 060032-037	Self tapping screw
23	CR 087144	Cover
24	CR 114003	Insulator
25	CR 116329	Extension
26	CR 089342	Spacer
27	CR 089362	Switch
28	CR 089336	Bracket
29	CR 060014-006	Screw #10
30	CR 060011-022	Screw #4
31	CR 089298-002	Rod
32	CR 060030-190	Flatwasher .03" thick
33	CR 089356	Cam
34	CR 089543	Cam
35	CR 089514	Plate
36	CR 088611-002	Collar
37	CR 089360	Torsion Spring
38	CR 089350	Stop

Item	Part No.	Description
39	CR 060011-027	Screw #4
40	CR 060011-021	Screw #4
41	CR 089362	Switch
42	CR 088753-001	Cover unit
43	CR 117267-002	Lower button
44	CR 117267-001	Raise button
45	CR 117267-003	Horn button
46	CR 117268	Switch 3rd speed
47	CR 073384	Spring

# Resistor - Quickpick



# Resistor - Quickpick

Item	Part No.	Description
1	CR 113387	Yoke
2	CR 089317	Pod
3	CR 115675	Grip
4	CR 060000-108	Roll pin
5	CR 093904-001	Cap button
6	CR 089324-001	Red body button
7	CR 088975	Bellow
8	CR 060032-035	Self tapping screw
9	CR 093068	Retainer
10	CR 080695	Spring
11	CR 060032-032	Self tapping screw
12	CR 060012-023	Screw #6
13	CR 073375	Switch
14	CR 089521	Bar
15	CR 092224	Split bushing
16	CR 060030-163	Flat washer
17	CR 089510	Bushing
18	CR 087144	Cover
19	CR 114003	Insulator
20	CR 060032-037	Self tapping screw
21	CR 060000-075	Roll pin
22	CR 113425-001	Cover, left
23	CR 113425-002	Cover, right
24	CR 117269	Outer Button
25	CR 108693	Spring
26	CR 089362	Switch
27	CR 089362	Switch
28	CR 113432	Insulator
29	CR 113434	Insulator
30	CR 060045-020	Shoulder belt
31	CR 117270	Button
32	CR 073384	Spring
33	CR 115676	Extension
34	CR 113431	Insulator
35	CR 113433	Insulator
36	CR 089362	Switch
37	CR 089362	Switch
38	CR 089342	Spacer
39	CR 113352	Switch

Item	Part No.	Description
40	CR 089336	Bracket
41	CR 060014-006	Screw #10
42	CR 060011-022	Screw #4
43	CR 089298-002	Rod
44	CR 060030-190	Flatwasher .03" thick
45	CR 089356	Cam
46	CR 089543	Cam
47	CR 089514	Plate
48	CR 088611-002	Collar
49	CR 089360	Torsion spring
50	CR 089350	Stop
51	CR 118901	Switch
52	CR 088753-003	Cover
53	CR 117267-002	Lower button
54	CR 117267-001	Raise button
55	CR 117267-003	Horn button
56	CR 73384	Spring
57	CR 092586	Arm detent
58	CR 073371	Spring
59	CR 065003-017	Sleeving



## Resistor - Freezer Corrosion



## Resistor - Freezer Corrosion

Item	Part No.	Description
1	CR 115331	Yoke
2	CR 089317	Pod
3	CR 115675	Grip
4	CR 060000-108	Roll pin
5	CR 093904-001	Cap button
6	CR 089324-001	Red button body
7	CR 088975	Bellow
8	CR 060032-035	Self tapping screw
9	CR 093068	Retainer
10	CR 080695	Spring
11	CR 060012-023	Screw #6
12	CR 073375	Switch
13	CR 93887	Bracket mounting
14	CR 062033-013	Resistor
15	CR 089521	Bar
16	CR 092224	Split bushing
17	CR 060030-163	Flat washer
18	CR 089510	Bushing
19	CR 073371	Spring
20	CR 065003-017	Sleeving
21	CR 092586	Arm detent
22	CR 060000-075	Roll pin
23	CR 060032-037	Self tapping screw
24	CR 087144	Cover
25	CR 114003	Insulator
26	CR 116329	Extension
27	CR 089342	Spacer
28	CR 089362	Switch
29	CR 089336	Bracket
30	CR 060014-006	Screw #10
31	CR 060011-022	Screw #4
32	CR 089298-002	Rod
33	CR 062033-013	Resistor, 24V
34	CR 093492-001	Bracket
35	CR 060030-190	Flatwasher, .03" thick
36	CR 089356	Cam
37	CR 089543	Cam
38	CR 089514	Plate
39		

Item	Part No.	Description
40	CR 088611-002	Collar
41	CR 089360	Torsion spring
42	CR 089350	Stop
43	CR 101589	Switch, horn
44	CR 078879	Switch, lower and raise
45	CR 102525-001	Cover
46	CR 075585	Seal
47	CR 077635	Adaptor
48	CR 077633	Toggle switch



# Resistor Quickpick - Freezer Corrosion



# Resistor Quickpick - Freezer Corrosion

Item	Part No.	Description
1	CR 113387	Yoke
2	CR 089317	Pod
3	CR 115675	Grip
4	CR 060000-108	Roll pin
5	CR 093904-001	Cap button
6	CR 089324-001	Red body button
7	CR 088975	Bellow
8	CR 060032-035	Self tapping screw
9	CR 093068	Retainer
10	CR 080695	Spring
11	CR 060032-032	Self tapping screw
12	CR 060012-023	Screw #6
13	CR 073375	Switch
14	CR 093887	Mounting bracket
15	CR 062033-013	Resistor
16	CR 089521	Bar
17	CR 092224	Split bushing
18	CR 060030-163	Flat washer
19	CR 089510	Bushing
20	CR 087144	Cover
21	CR 114003	Insulator
22	CR 060032-037	Self tapping screw
23	CR 060000-075	Roll pin
24	CR 113425-001	Cover, left
25	CR 113425-002	Cover, right
26	CR 117269	Outer button
27	CR 108693	Spring
28	CR 089362	Switch
29	CR 089362	Switch
30	CR 113432	Insulator
31	CR 113434	Insulator
32	CR 060045-020	Shoulder bolt
33	CR 117270	Button
34	CR 073384	Spring
35	CR 115676	Extension
36	CR 113431	Insulator
37	CR 113433	Insulator
38	CR 089362	Switch
39	CR 089362	Switch
40	CR 089342	Spacer
41	CR 089362	Switch
42	CR 089336	Bracket
43	CR 060014-006	Screw #10
44	CR 060011-022	Screw #4
45	CR 089298-002	Rod
46	CR 093492-001	Bracket
47	CR 062033-013	Resistor
48	CR 060030-190	Flatwasher, .03" thick
49	CR 089356	Cam
50	CR 089543	Cam
51	CR 089514	Plate
52	CR 088611-002	Collar
53	CR 089360	Torsion spring
54	CR 089350	Stop
55	CR 073371	Spring
56	CR 065003-017	Sleeving
57	CR 092586	Arm detent
58	CR 101589	Horn switch
59	CR 078879	Switch
60	CR 102525-002	Cover
61	CR 075585	Seal
62	CR 077635	Adaptor

Item	Part No.	Description
40	CR 089342	Spacer
41	CR 089362	Switch
42	CR 089336	Bracket
43	CR 060014-006	Screw #10
44	CR 060011-022	Screw #4
45	CR 089298-002	Rod
46	CR 093492-001	Bracket
47	CR 062033-013	Resistor
48	CR 060030-190	Flatwasher, .03" thick
49	CR 089356	Cam
50	CR 089543	Cam
51	CR 089514	Plate
52	CR 088611-002	Collar
53	CR 089360	Torsion spring
54	CR 089350	Stop
55	CR 073371	Spring
56	CR 065003-017	Sleeving
57	CR 092586	Arm detent
58	CR 101589	Horn switch
59	CR 078879	Switch
60	CR 102525-002	Cover
61	CR 075585	Seal
62	CR 077635	Adaptor

# Transistor Control Pod



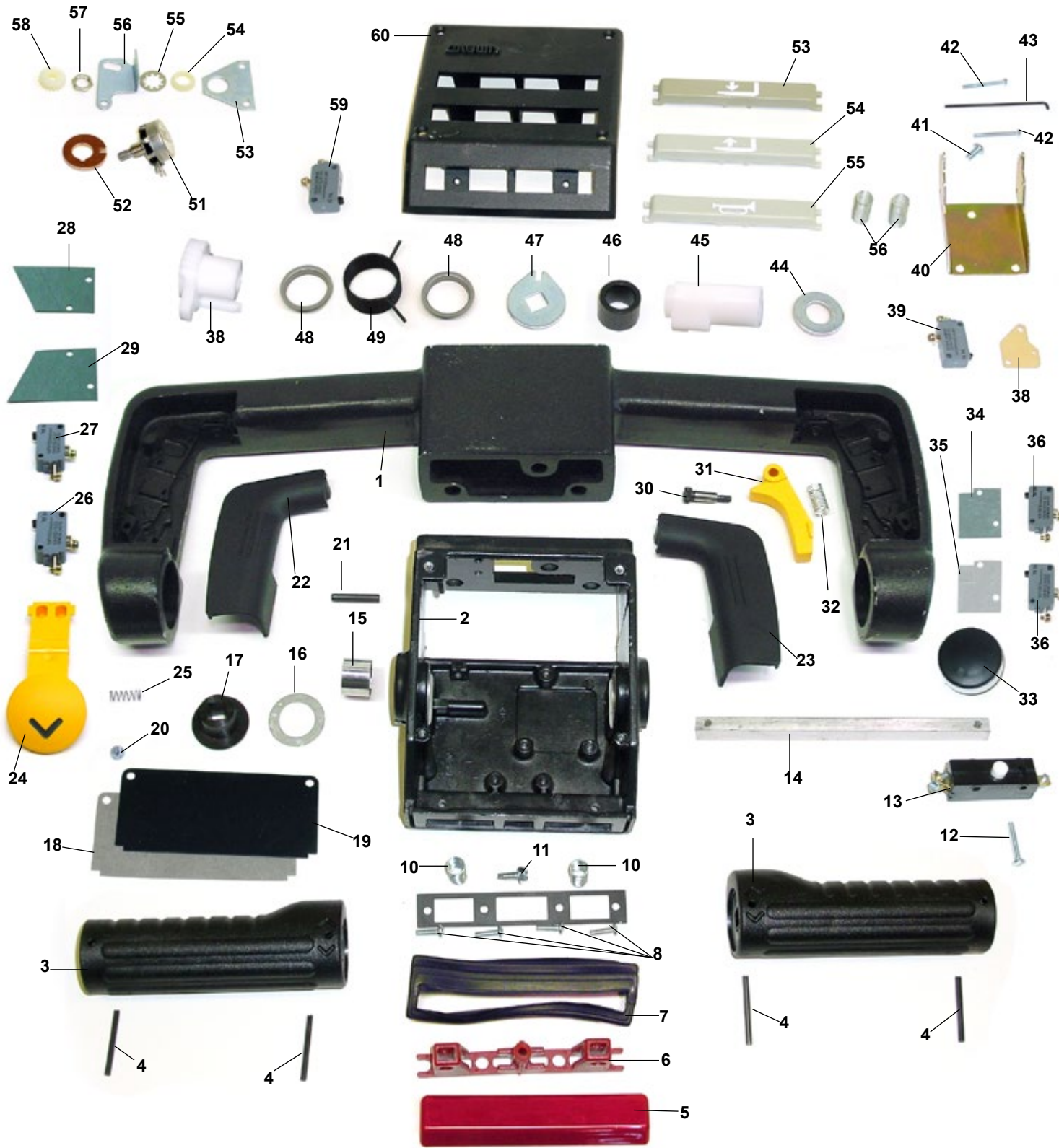
# Transistor Control Pod

Item	Part No.	Description
1	CR 115331	Yoke
2	CR 089317	Pod
3	CR 115675	Grip
4	CR 060000-108	Roll pin
5	CR 093904-001	Cap button
6	CR 089324-001	Red body button
7	CR 088975	Bellows
8	CR 060032-035	Self tapping screw
9	CR 093068	Retainer
10	CR 080695	Spring
11	CR 060032-032	Self tapping screw
12	CR 060012-023	Screw #6
13	CR 073375	Switch
14	CR 089521	Bar
15	CR 092224	Split bushing
16	CR 060030-163	Flat washer
17	CR 089510	Bushing
18	CR 080275	Pinion
19	CR 060021-010	Nut
20	CR 089532	Bracket
21	CR 060005-010	Lockwasher
22	CR 076649-002	Insulator
23	CR 089529	Plate
24	CR 089549	Insulator
25	CR 079019	Potentiometer, Accelerate
26	CR 060000-075	Roll pin
27	CR 060032-037	Self tapping screw
28	CR 087144	Cover
29	CR 114003	Insulator
30	CR 116329	Extension
31	CR 089342	Spacer
32	CR 089362	Switch
33	CR 089336	Bracket
34	CR 060014-006	Screw #10
35	CR 060011-022	Screw #4
36	CR 089298-002	Rod
37	CR 060030-190	Flatwasher, .03" thick
38	CR 089356	Cam

Item	Part No.	Description
39	CR 089548	Spacer
40	CR 089514	Plate
41	CR 088611-002	Collar
42	CR 089360	Torsion spring
43	CR 088611-002	Collar
44	CR 089350	Stop
45	CR 060011-027	Screw #4
46	CR 060011-021	Screw #4
47	CR 089362	Switch
48	CR 088753-001	Cover unit
49	CR 117267-002	Lower button
50	CR 117267-001	Raise button
51	CR 117267-003	Horn button
52	CR 117268	Switch 3rd speed
53	CR 073384	Spring



**Transistor - Quickpick**



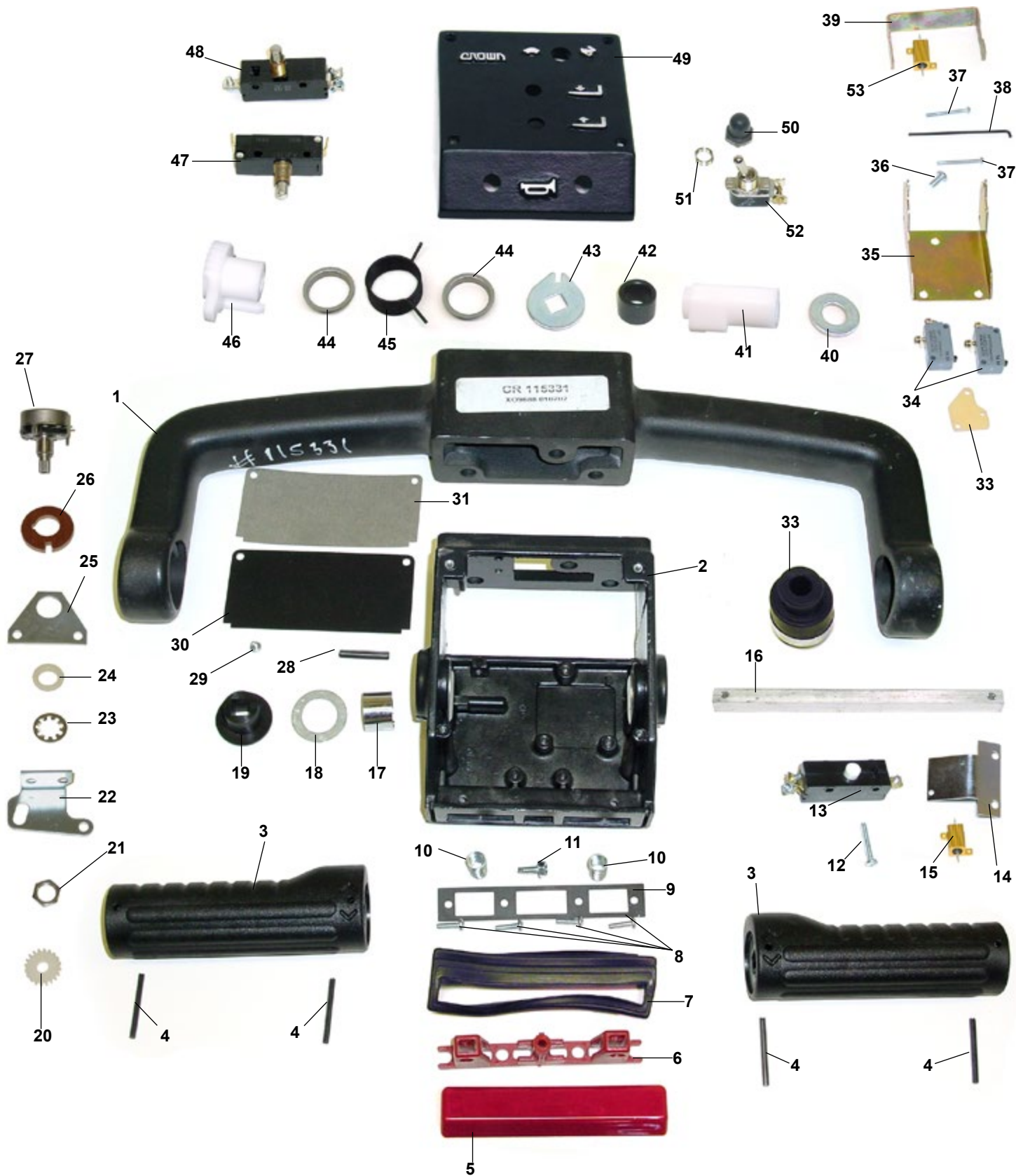
**Transistor - Quickpick**

Item	Part No.	Description
1	CR 113387	Yoke
2	CR 089317	Pod
3	CR 115675	Grip
4	CR 060000-108	Roll pin
5	CR 093904-001	Cap button
6	CR 089324-001	Red body button
7	CR 088975	Bellow
8	CR 060032-035	Self tapping screw
9	CR 093068	Retainer
10	CR 080695	Spring
11	CR 060032-032	Self tapping screw
12	CR 060012-023	Screw #6
13	CR 073375	Switch
14	CR 089521	Bar
15	CR 092224	Split bushing
16	CR 060030-163	Flat washer
17	CR 089510	Bushing
18	CR 087144	Cover
19	CR 114003	Insulator
20	CR 060032-037	Self tapping screw
21	CR 060000-075	Roll pin
22	CR 113425-001	Cover, left
23	CR 113425-002	Cover, right
24	CR 117269	Outer button
25	CR 108693	Spring
26	CR 089362	Switch
27	CR 089362	Switch
28	CR 113432	Insulator
29	CR 113434	Insulator
30	CR 060045-020	Shoulder bolt
31	CR 117270	Button
32	CR 073384	Spring
33	CR 115676	Extension
34	CR 113431	Insulator
35	CR 113433	Insulator
36	CR 089362	Switch
37	CR 089362	Switch
38	CR 089342	Spacer

Item	Part No.	Description
39	CR 113352	Switch
40	CR 089336	Bracket
41	CR 060014-006	Screw #10
42	CR 060011-022	Screw #4
43	CR 089298-001	Rod
44	CR 060030-190	Flatwasher
45	CR 089356	Cam
46	CR 089548	Spacer
47	CR 089514	Plate
48	CR 088611-002	Collar
49	CR 089360	Torsion spring
50	CR 089509	Stop
51	CR 079019	Potentiometer
52	CR 089549	Insulator
53	CR 089529	Plate
54	CR 076649-002	Insulator
55	CR 060005-010	Lockwasher
56	CR 089532	Bracket
57	CR 060021-010	Nut
58	CR 080275	Pinion
59	CR 118901	Switch
60	CR 088753-003	Cover
61	CR 117267-002	Lower button
62	CR 117267-001	Raise button
63	CR 117267-003	Horn button
64	CR 073384	Spring



# Transistor - Freezer Corrosion



# Transistor - Freezer Corrosion

Item	Part No.	Description
1	CR 115331	Yoke
2	CR 089317	Pod
3	CR 115675	Grip
4	CR 060000-108	Roll pin
5	CR 093904-001	Cap button
6	CR 089324-001	Red button body
7	CR 088975	Bellow
8	CR 060032-035	Self tapping screw
9	CR 093068	Retainer
10	CR 080695	Spring
11	CR 060032-032	Self tapping screw
12	CR 060012-023	Screw #6
13	CR 073375	Switch
14	CR 93887	Bracket mounting
15	CR 062033-013	Resistor
16	CR 089521	Bar
17	CR 092224	Split bushing
18	CR 060030-163	Flatwasher
19	CR 089510	Bushing
20	CR 080275	Pinion
21	CR 060021-010	Nut
22	CR 089532	Bracket
23	CR 060005-010	Lockwasher
24	CR 076649-002	Insulator
25	CR 089529	Plate
26	CR 089549	Insulator
27	CR 079019	Potentiometer
28	CR 060000-075	Roll pin
29	CR 060032-037	Self tapping screw
30	CR 087144	Cover
31	CR 114003	Insulator
32	CR 116329	Extension
33	CR 089342	Spacer
34	CR 118901	Switch
35	CR 089336	Bracket
36	CR 060014-006	Screw #10
37	CR 060011-021	Screw #4
38	CR 089298-002	Rod

Item	Part No.	Description
39	CR 093492-001	Bracket
40	CR 060030-190	Flatwasher
41	CR 089356	Cam
42	CR 089548	Spacer
43	CR 089514	Plate
44	CR 088611-002	Collar
45	CR 089360	Torsion spring
46	CR 089509	Stop
47	CR 101589	Switch horn
48	CR 078879	Switch, lower and raise
49	CR 102525-001	Cover
50	CR 075585	Seal
51	CR 077635	Adaptor
52	CR 077633	Toggle switch
53	CR 062033-013	Resistor

# Transistor Quickpick - Freezer Corrosion



# Transistor Quickpick - Freezer Corrosion

Item	Part No.	Description
1	CR 113387	Yoke
2	CR 089317	Pod
3	CR 115675	Grip
4	CR 060000-004	Roll pin
5	CR 093904-001	Cap button
6	CR 089324-001	Red body button
7	CR 088975	Bellow switch
8	CR 060032-035	Self tapping screw
9	CR 093068	Retainer
10	CR 080695	Spring
11	CR 060032-032	Self tapping screw
12	CR 060012-023	Screw #6
13	CR 073375	Switch
14	CR 093887	Mounting bracket
15	CR 092874	Resistor
16	CR 089521	Bar
17	CR 092224	Split bushing
18	CR 060030-163	Flatwasher
19	CR 089510	Bushing
20	CR 087144	Cover
21	CR 114003	Insulator
22	CR 060032-037	Self tapping screw
23	CR 060000-075	Roll pin
24	CR 113425-001	Cover, left
25	CR 113425-002	Cover, right
26	CR 117269	Outer button
27	CR 108693	Spring
28	CR 089362	Switch
29	CR 089362	Switch
30	CR 113432	Insulator
31	CR 113434	Insulator
32	CR 060045-020	Shoulder bolt
33	CR 117270	Button, inner
34	CR 073384	Spring
35	CR 115676	Extension
36	CR 113431	Insulator
37	CR 113433	Insulator

Item	Part No.	Description
38	CR 089362	Switch
39	CR 089362	Switch
40	CR 089342	Spacer
41	CR 113352	Switch
42	CR 089336	Bracket
43	CR 060014-006	Screw #10
44	CR 060011-021	Screw #4
45	CR 089298-002	Rod
46	CR 093492-002	Bracket
47	CR 092874	Resistor
48	CR 060030-190	Flatwasher
49	CR 089356	Cam
50	CR 089548	Spacer
51	CR 089514	Plate
52	CR 088611-002	Collar
53	CR 089360	Torsion spring
54	CR 089509	Stop
55	CR 079019	Potentiometer
56	CR 089549	Insulator
57	CR 089529	Plate
58	CR 076649-002	Insulator
59	CR 060005-010	Lockwasher
60	CR 089532	Bracket
61	CR 060021-010	Nut
62	CR 080275	Pinion
63	CR 078879	Switch, lower & raise
	CR 101589	Switch, horn
64	CR 102525-002	Cover
65	CR 075585	Seal
66	CR 077635	Adaptor



## Handle Control Arm

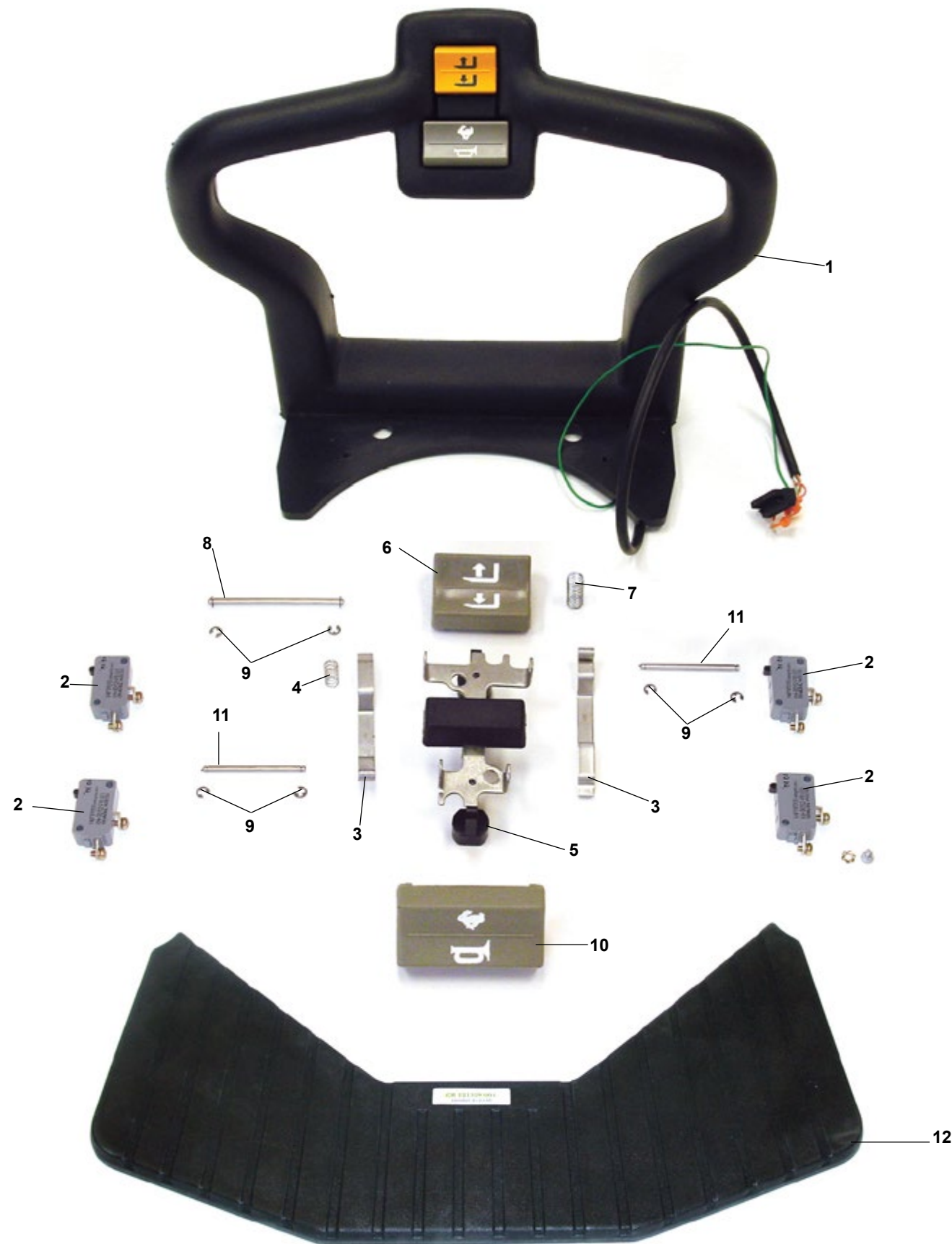


## Handle Control Arm

Item	Part No.	Description
1	CR 115270	Handle control arm
	CR 115269	Handle control arm, w/coast option
2	CR 74909	Handle return spring, 2 required
3	CR 79791	Handle return spring, 1 required
4	CR 73842	Handle bushing, 2 required
5	CR 109528	Pivot shaft
6	CR 115280	Cam
7	CR 79564-009	Terminal block
8	CR 116559	Control pod harness, Resistor Control
	CR 116476	Control pod harness, Resistor w/Quickpick
	CR 116560	Control pod harness, Resistor w/Freezer corrosion
	CR 116513	Control pod harness, Resistor w/QP and FC
	CR 116545	Control pod harness, Transistor (Curtis or Sevcon)
	CR 116546	Control pod harness, Transistor w/FC



# Control Handle Arm/Grab Bar



# Control Handle Arm/Grab Bar

Item	Part No.	Description
1	CR 130641-001	Grab bar assembly, Resistor
	CR 130641-002	Grab bar assembly, Resistor, FC
	CR 130641-003	Grab bar assembly, Transistor
	CR 130641-004	Grab bar assembly, Transistor, FC
2	CR 89362	Switch, 4 required
	CR 60064-003	Screw
	CR 60005-036	Lockwasher
3	CR 115407	Lever switch
4	CR 115406	Spring
5	CR 115402-001	Bracket
6	CR 115408	Button, lift/lower
7	CR 115405	Spring
8	CR 115410-001	Button pin
9	CR 60009-070	Retaining ring
10	CR 115409	Button, horn/3rd speed
11	CR 115410-002	Button pin
12	CR 121329-001	Mat
	Not shown	
	CR 115412	Wiring Harness - grab bar to dist. panel, Curtis or Sevcon
	CR 115413	Wiring Harness - grab bar to dist. panel, Curtis or Sevcon with Freezer Corrosion
	CR 115916	Wiring Harness - grab bar to dist. panel, Resistor type

# Hydraulic Power Unit



# Hydraulic Power Unit

Item	Part No.	Description
1	CR 116591	Pump and motor assembly
2	CR 117492	Motor - Generic, 24V, Generic
	CR 116835	Brush holder, OEM motor only
	CR 103255	Brush spring, OEM motor only
	CR 116832	Brush set, OEM motor only
3	CR 84339	Check valve
4	CR 084343	Starter switch
5	CR 84344-001	Solenoid cartridge, Valve - 3way, 24V
6	CR 064013-001	Breather elbow
7	CR 070550	Breather
8	CR 064103-064	Hose assembly
9	CR 64061-002	Elbow fitting, fits power unit
10	CR 64098-008	Elbow fitting, fits hydraulic cylinder
11	CR 117080	Relief valve Kit
12	CR 084316	O-Ring
13	CR 094544	Pump assembly

## Lift Cylinder

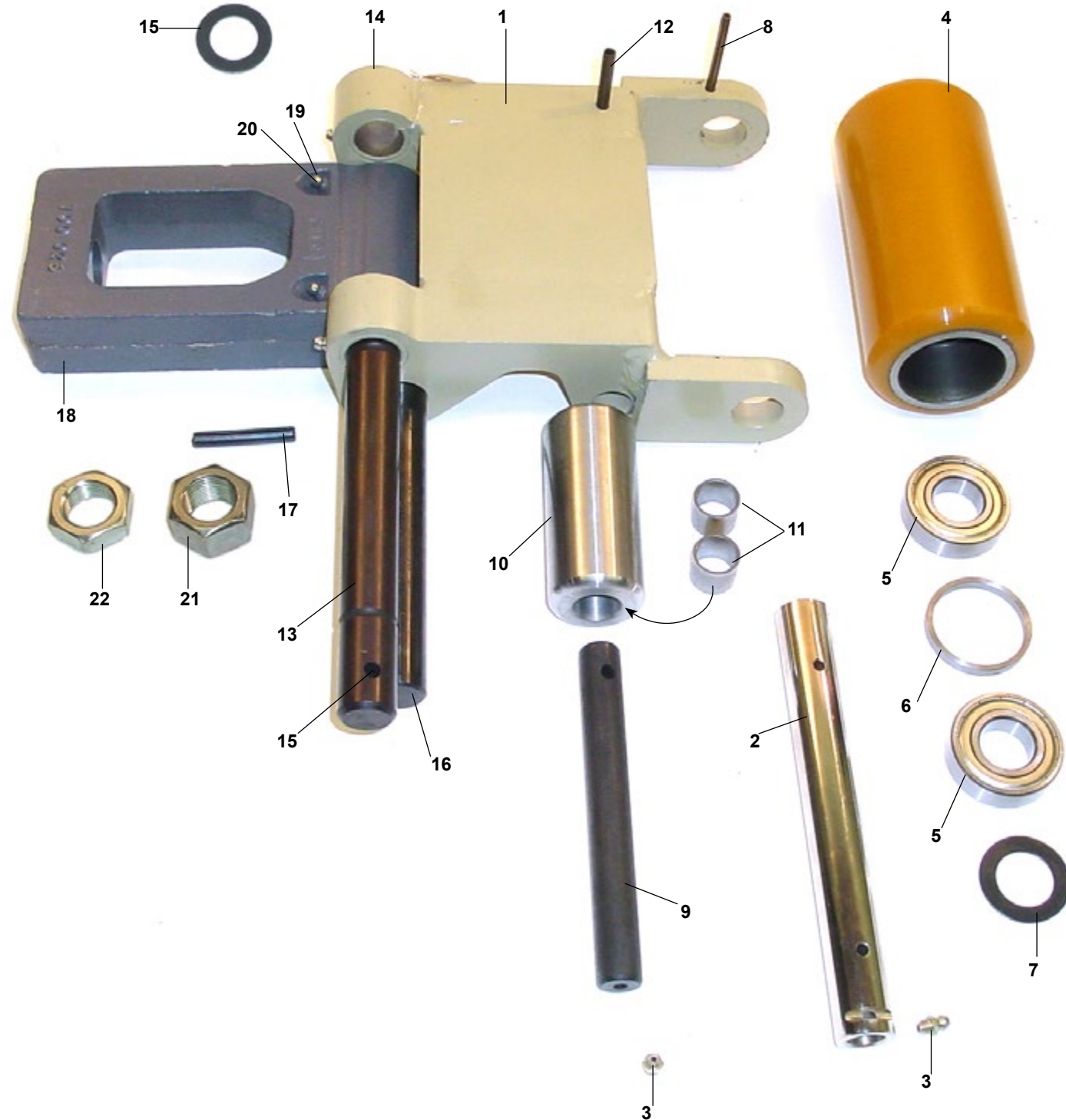


## Lift Cylinder

Item	Part No.	Description
1	CR 115218	Lift Cylinder Assembly
2	CR 116820	Seal kit



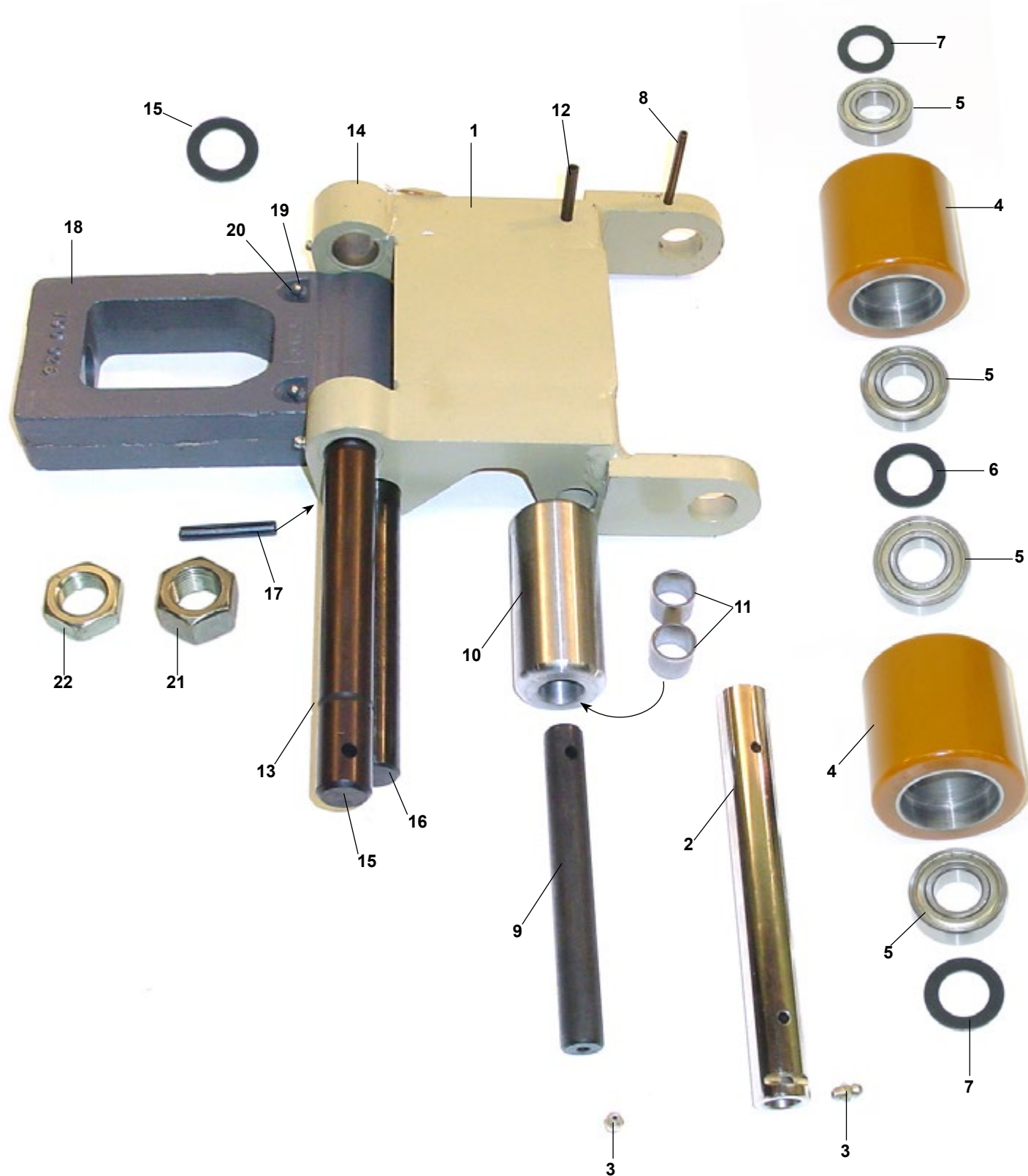
# Riser Assembly - 9" and 10" Forks - Single Wheel



# Riser Assembly - 9" and 10" Forks - Single Wheel

Item	Part No.	Description
1	CR 115491	Riser
2	CR 116802	Load roller axle
3	CR 100779	Lube fitting
4	CR 100462	Poly load wheel, Single load wheel
	GW 9141	Generic, Poly, 95-A
	GW 9141-A	Generic assembly, includes 4 bearings
	SU 9141	Superior, Poly, 95-A
	SU 9141-A	Superior assembly, includes 4 bearings
		Please see pages 4-5 for a complete listing of wheels.
5	CR 065081-021	Bearing, 4 required
6	CR 100463	Spacer, 2 required
7	CR 060030-050	Flatwasher, 2 required
8	CR 060000-081	Roll pin
9	CR 115509	Exit roller axle
10	CR 115508	Exit roller
11	CR 065117-003	Bushing
12	CR 060000-036	Roll pin
13	CR 115510	Frame pivot axle
14	CR 065117-001	Bushing
15	CR 060030-050	Flatwasher
16	CR 115496	Tension bar axle
17	CR 060000-109	Roll pin
18	CR 115497	Tension bar end
19	CR 089297	Lube fitting
20	CR 089296	Lube tip
21	CR 060021-096	Nut
22	CR 060021-095	Jam nut

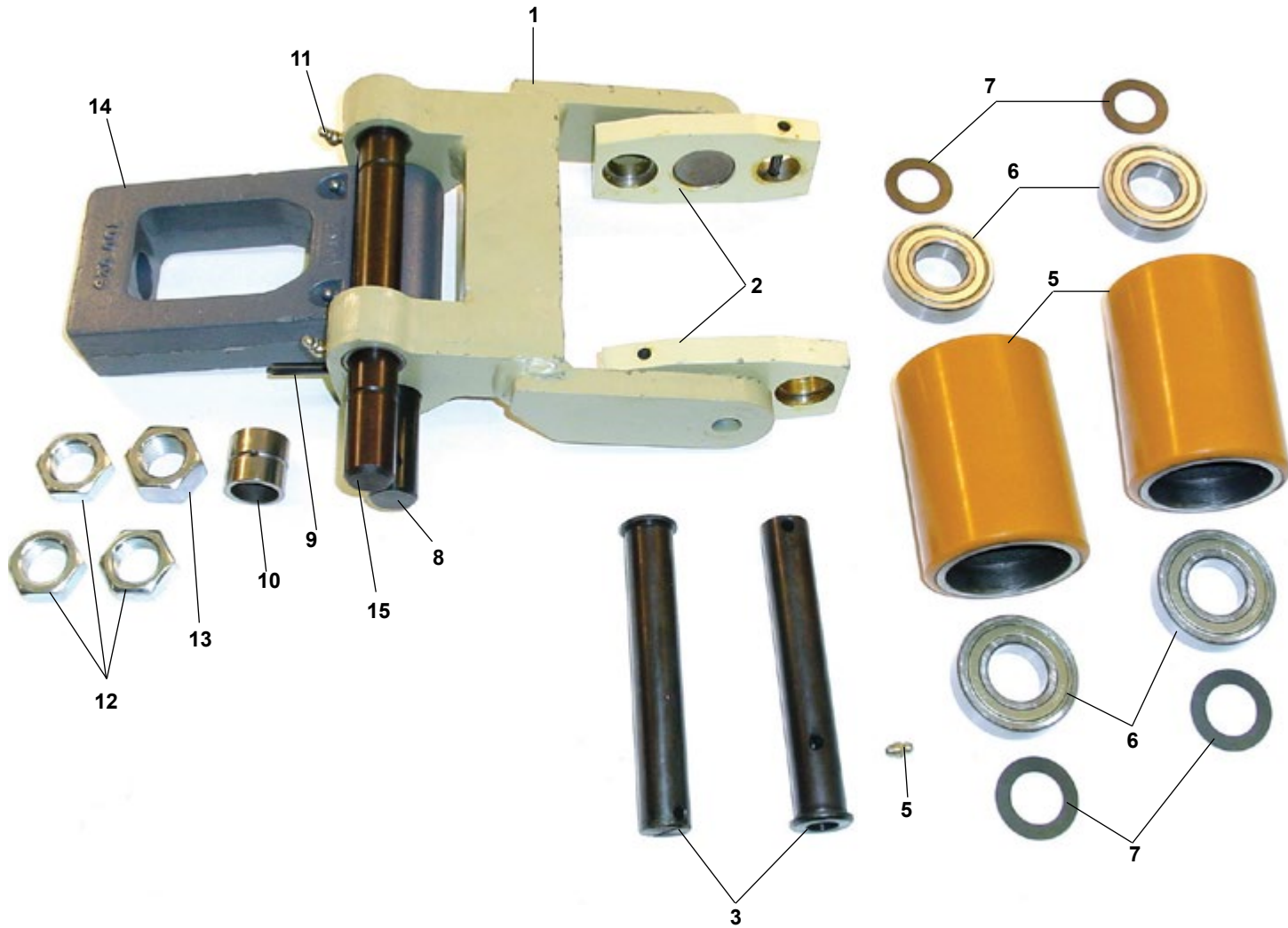
# Riser Assembly - 9" and 10" Forks - Dual Wheels



# Riser Assembly - 9" and 10" Forks - Dual Wheels

Item	Part No.	Description
1	CR 115491	Riser
2	CR 116802	Load roller axle
3	CR 100779	Lube fitting
4	CR 077084	Poly load wheel, Dual load wheel
	GW 9133	Generic, Poly, 95-A
	GW 9133-A	Generic assembly, includes bearings
	SU 9133	Superior, Poly, 95-A
	SU 9133-A	Superior assembly, includes bearings
Please see pages 4-5 for a complete listing of wheels.		
5	CR 065081-021	Bearing, 4 required
6	CR 100463	Spacer
7	CR 060030-050	Flatwasher, 2 required
8	CR 060000-081	Roll pin
9	CR 115509	Exit roller axle
10	CR 115508	Exit roller
11	CR 065117-003	Bushing
12	CR 060000-036	Roll pin
13	CR 115510	Frame pivot axle
14	CR 065117-001	Bushing
15	CR 060030-050	Flatwasher
16	CR 115496	Tension bar axle
17	CR 060000-109	Roll pin
18	CR 115497	Tension bar end
19	CR 089297	Lube fitting
20	CR 089296	Lube tip
21	CR 060021-096	Nut
22	CR 060021-095	Jam nut

# Riser Assembly - 9" and 10" Forks - Tandem Wheels



# Riser Assembly - 9" and 10" Forks - Tandem Wheels

Item	Part No.	Description
1	CR 116793	Riser, Tandem
2	CR 101697	Side plate, 2 required
3	CR 116802	Load roller axle
4	CR 077084	Poly load wheel, Tandem
	GW 9135	Generic, Poly 95-A
	GW 9135-A	Generic assembly, includes bearings
	SU 9135	Superior, Poly 95-A
	SU 9135-A	Superior assembly, includes bearings
Please see pages 4-5 for a complete listing of wheels.		
5	CR 100779	Lube fitting
6	CR 065081-021	Bearing, 2 required per wheel
7	CR 060030-050	Flatwasher, 2 required
8	CR 115496	Axle, Tension bar
9	CR 060000-109	Roll pin
10	CR 065117-001	Bushing
11	CR 089297	Lube fitting
12	CR 060021-096	Nut
13	CR 060021-095	Jam nut
14	CR 115497	Tension bar end
15	CR 115510	Axle, frame pivot axle



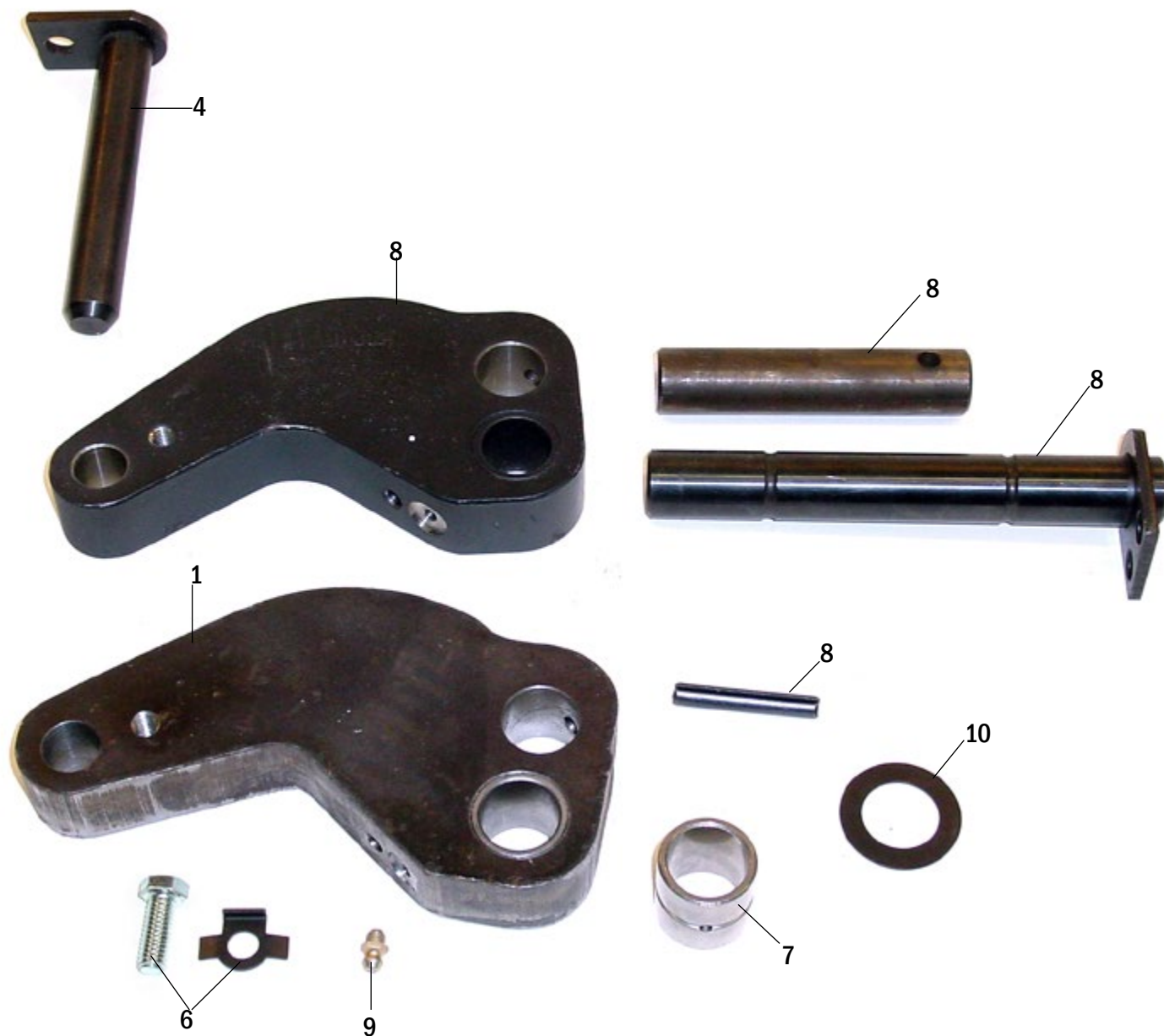
## Riser Assembly - 7" Forks - Tandem Wheels



## Riser Assembly - 7" Forks - Tandem Wheels

Item	Part No.	Description
1	CR 93306	Riser
2	CR 116993	Axle
3	CR 116996	Axle
4	CR 111629	Side plate
5	CR 060000-081	Roll pin
6	CR 116994	Axle
7	CR 77084	Poly load wheel, Dual Poly 95-A
	GW 9133	Generic
	GW 9133-A	Generic assembly, includes bearings
	SU 9133	Superior, Poly, 95-A
	SU 9133-A	Superior assembly, includes bearings
(see pages 4 and 5 for complete list of available load wheels)		
8	CR 65081-021	Bearing, 2 required per wheel
9	CR 060030-050	Flatwasher, 2 required per wheel

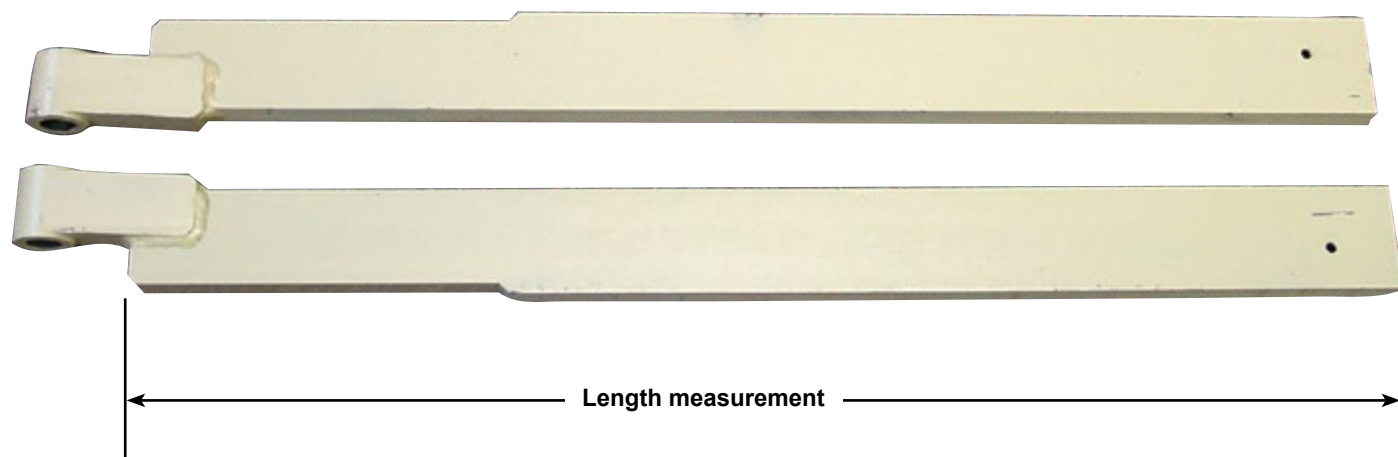
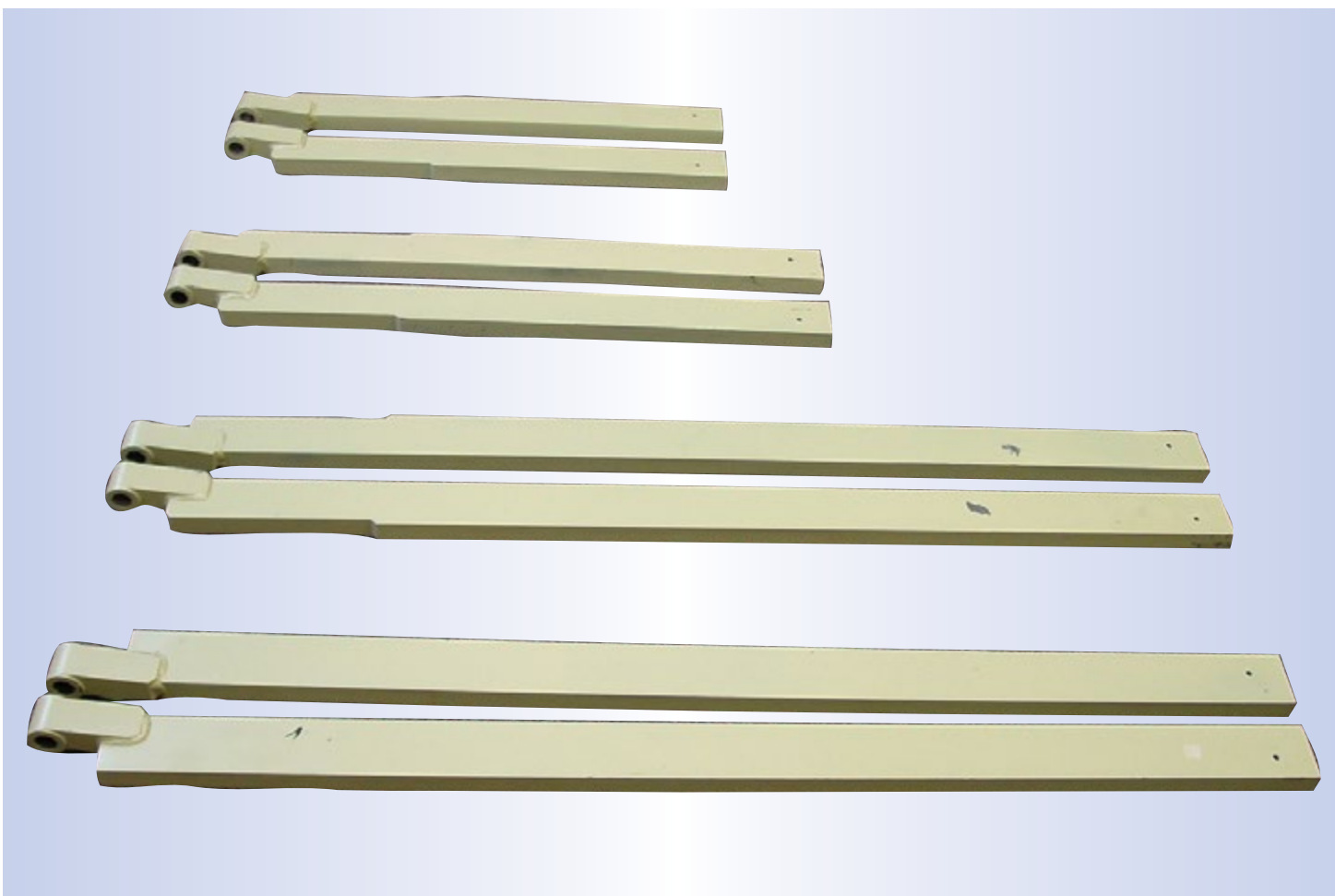
## Rear Linkage



## Rear Linkage

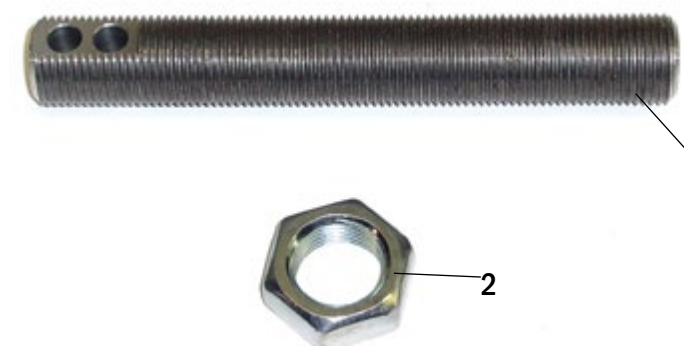
Item	Part No.	Description
1	CR 115516	Inboard link, includes bushing
2	CR 115517	Outboard link, includes bushing
3	CR 115518	Axle
4	CR 115521	Shaft
5	CR 115515	Pivot axle
6	CR 127349	Clip
	CR 060017-007	Screw
7	CR 065117-001	Bushing
8	CR 060000-109	Roll pin
9	CR 076048	Lube fitting
10	CR 060030-050	Flatwasher

## Tension Bars



## Tension Bars

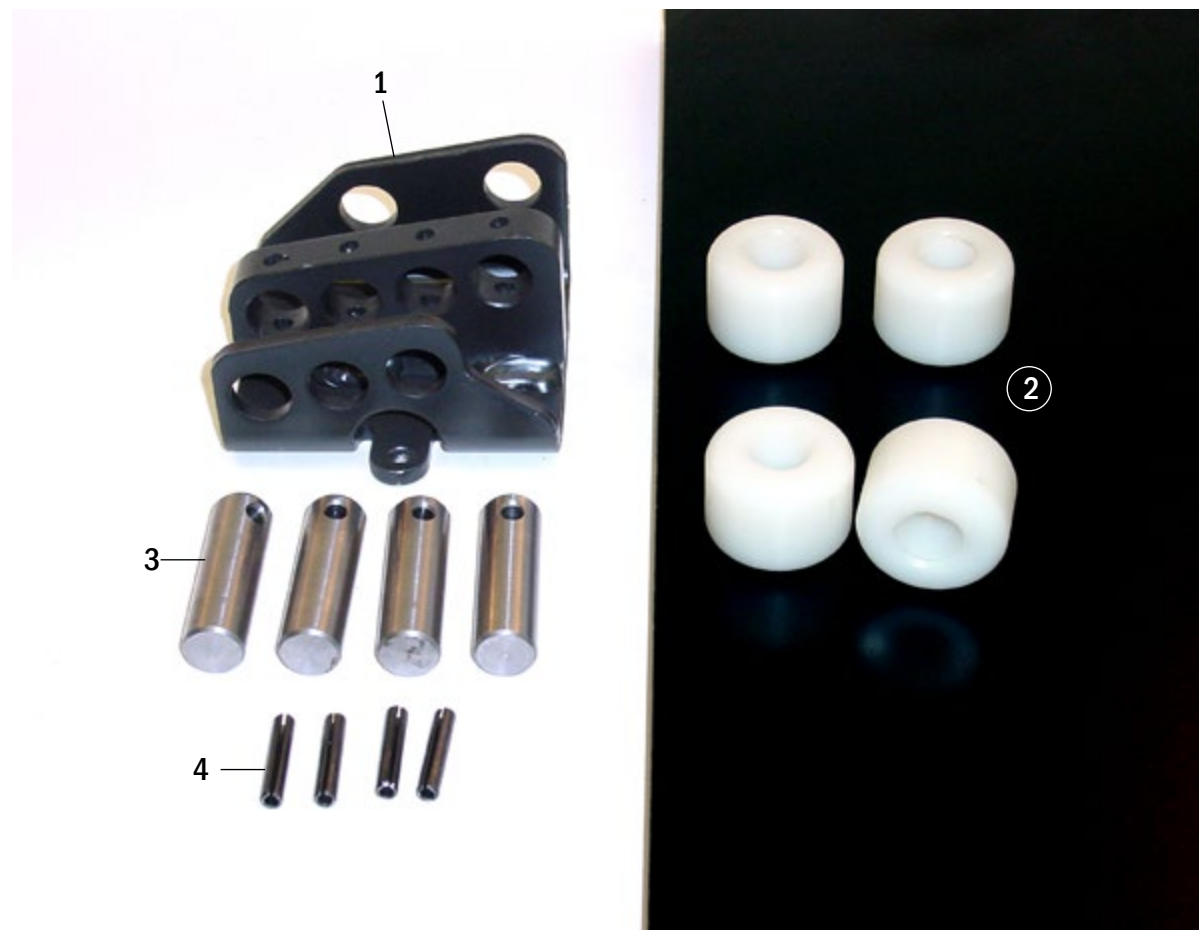
Fork Length	Tip Type	Fork Spread	Bar Length		Part No.
<b>Single Axle, 13.19" wide battery compartment, 24V</b>					
42"	Standard	22.12" or 27.12"	29.75"	Right	125237-013
				Left	125237-014
48"	Standard	22.12" or 27.12"	35.75"	Right	125237-019
				Left	125237-020
96"	Extended	23" or 28"	55.75"	Right	125237-079
				Left	125237-080
96"	Extended	24" or 27"	55.75"	Right	125237-081
				Left	125237-082



Item	Part No.	Description
1	CR 115883	Threaded bar
2	CR 060021-095	Jam nut



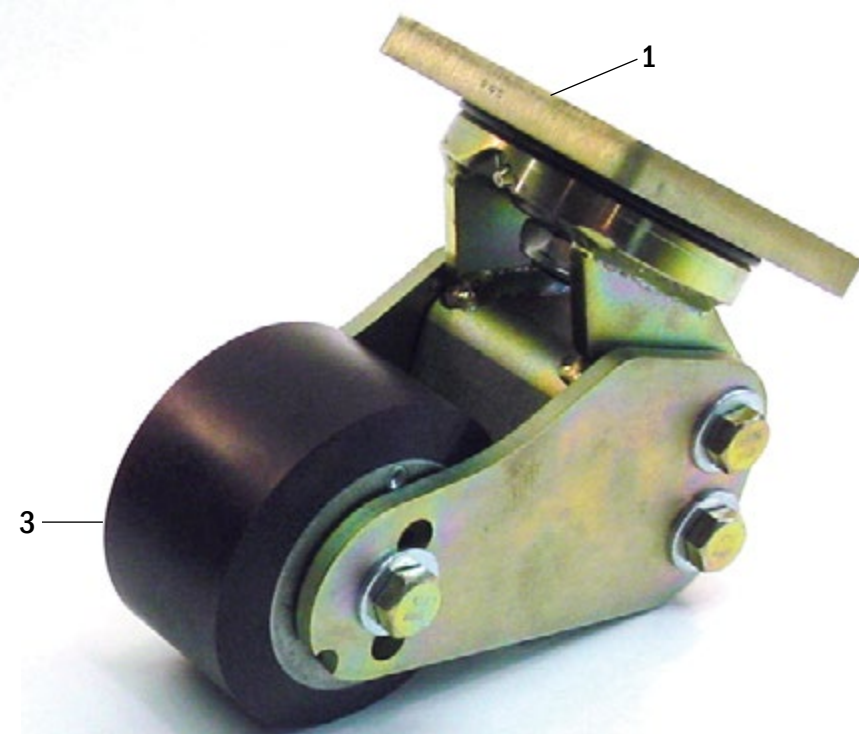
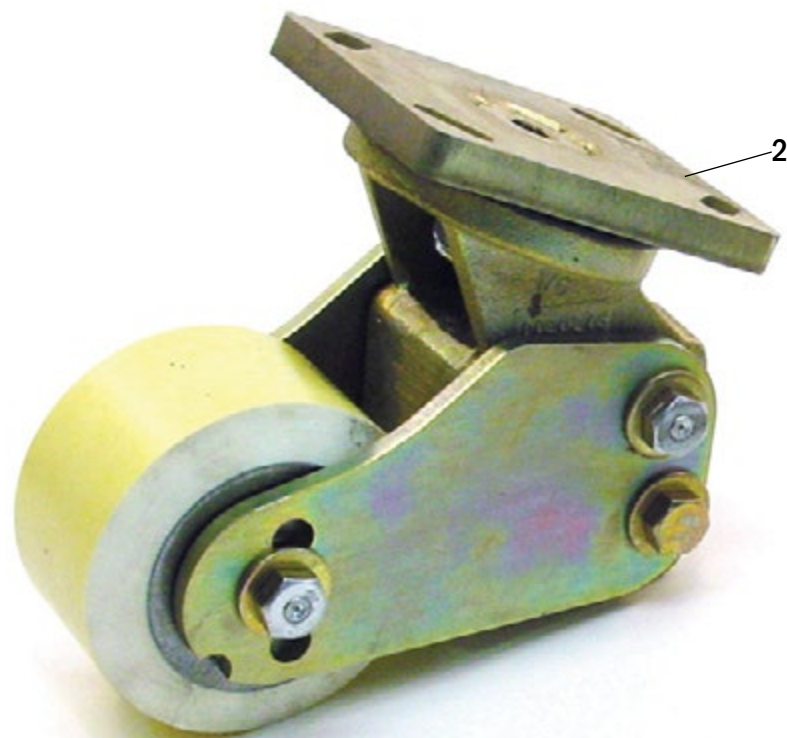
## Entry Rollers



## Entry Rollers

Item	Part No.	Description
1	CR 080194	Entry wheel bracket assy, standard tip forks only
2	CR 080192	Entry wheels
3	CR 080191	Axle
4	CR 060017-003	3/8" Screw
5	CR 060005-038	Lockwasher
6	CR 060038-006	Cotter pin
7	CR 060030-049	Flat washer
8	CR 060000-024	Roll pin

## Casters - Standard



## Casters - Standard

Item	Part No.	Description
1	CR 82694 STR 2001	Caster assembly Superior, Standard, 95-A
2	CR 82694 STR 2001FS	Caster assembly Superior, Food service, grease axle, 97-A
3	CR 83179 GW 9143-A	Caster wheel Generic, includes bearings, washers



## Casters - Quick Adjustment



## Casters - Quick Adjustment

Item	Part No.	Description
1	CR 115374-001	Quick adjustment caster, with tension bar, set
2	CR 115374-002	Quick adjustment caster, w/o tension bar, set
3	CR 083179	Caster wheel assembly
	GW 9143-A	Generic, includes bearings, washers
	CR 115368	Axle w/ lube fitting, Freezer/corrosion
	CR 060000-030	Roll pin

**800-462-2370**  
[www.SuperStoresService.com](http://www.SuperStoresService.com)

