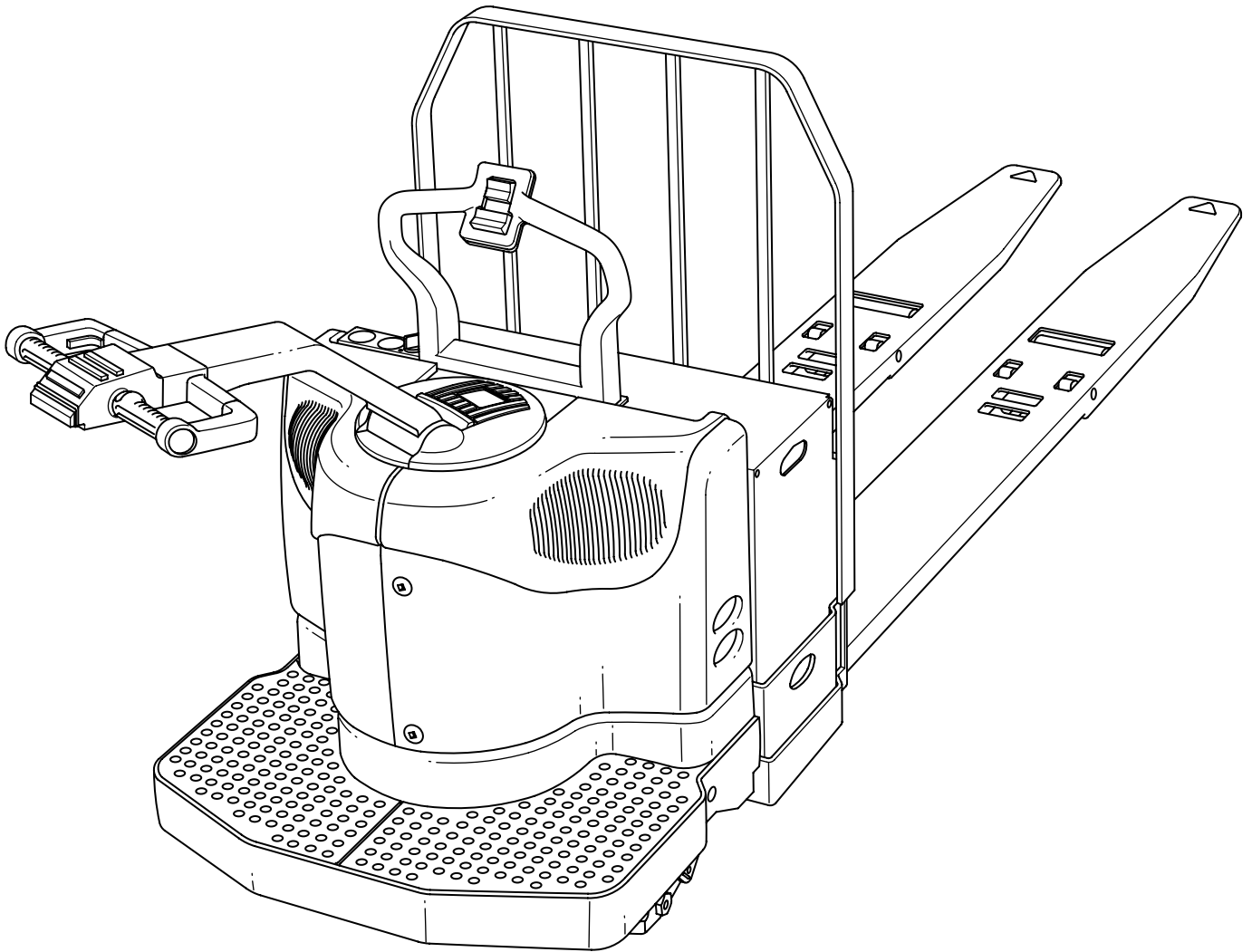


# Replacement Parts for Crown PE 4500 Series



**800-462-2370**  
[www.SuperStoresService.com](http://www.SuperStoresService.com)

**SUPER  
STORES  
SERVICE**

# Truck Data Nomenclature

## Standard/Special Truck

- = Standard, S = Special, C = Custom

## Fork Width

## Fork Length

## Fork Tip

- = Standard, T = Tandem, E=Extended

## Battery Compartment

N = Narrow 6.69" (170), W = Wide 13.19" (335mm)

## Axle

- = Single, T = Tandem

## Freezer/Corrosion

- = Standard, F = Freezer Condition, C = Corrosion Condition

## Control

C = Curtis Transistor, no Coast  
M = Curtis Transistor & Manual Coast  
Q = Curtis Transistor & Quick Coast  
D = Danaher AC & No Coast  
E = Danaher AC & Manual Coast  
F = Danaher AC & Quick Coast

## Casters

- = Standard, A = Quick Adjustment,  
T = Quick Adjustment w/Torsion Bar

## Drive Tires

RU = Rubber, Black-Lugged  
RS = Rubber, Smooth  
PO = Poly, Smooth  
GP = Poly, Grooved  
DP = Poly, Diamond Siped  
HP = Poly, High Crown

**PE 4500- 60 - 27 48 - N S - C A PO BD - A T R**

## Capacity

60 = 2720 kg (6000 lb.)  
80 = 3530 kg (8000 lb.)

## Series Update

Significant change(s) to the product that would not merit a new series number (generation)

## Series

Major technical and design changes making the product a new and improved generation

## Image Generator

PE = End Control Pallet Rider

## Meter Options

KE = Key Only  
HM = Hour Meter  
BD = Curtis Spy Glass  
CR = CR Display

## Internal Hour Meter

- = Without, I = Internal Hour Meter

## Travel Alarm

- = Without, A = Travel Alarm

## Storage Compartment

- = Without, B/C = With Storage

## Battery Rollout

- = Without, R = Battery Rollout,  
I = Battery Rollout & Battery Retainer Switches

# Contents

<a href="#">Quick Wheel Lookup</a>	4
------------------------------------	---

## Electrical

<a href="#">Battery Connectors</a>	6
<a href="#">Console/Meters</a>	8
<a href="#">Motor Controller/Contactors</a>	10

## Drive Unit/Brakes

<a href="#">Drive Unit</a>	12
<a href="#">Brakes</a>	14
<a href="#">Motors</a>	16

## Control Pod

<a href="#">Standard</a>	18
<a href="#">Quickpick</a>	20
<a href="#">Freezer Corrosion</a>	22
<a href="#">Quickpick and Freezer Corrosion</a>	24

## Control Arm

<a href="#">(Incl. Brake Activation &amp; Wiring Harness)</a>	26
---	----

## Control Grab Bar

	28
--	----

## Hydraulic System

	30
--	----

## Frame and Undercarriage

	32
--	----

## Entry Rollers

	34
--	----

## Casters

<a href="#">Shim Free</a>	36
<a href="#">Quick Adjustment</a>	38

## Quick Wheel Lookup

## Quick Wheel Lookup

OEM #	Wheel Type	Description	Wheel OD in/mm	Tread Width in/mm	Hub Width in/mm	Hub ID in/mm	Bearing OD in/mm	Bearing #	Material/Color
CR 100462-301	Load Wheel	Single Poly Load Wheel, 95-A	3.250 / 83	6.500 / 165	6.500 / 165		2.047 / 52	6205 (4)	Scotch, 95-A
CR 100462-301-88	Load Wheel Assy	Single Poly Load Wheel, 95-A, Includes (4) Bearings	3.250 / 83	6.500 / 165	6.500 / 165		2.047 / 52	6205 (4)	Scotch, 95-A
CR 100462-401	Load Wheel	Single Poly Load Wheel, 97-A	3.250 / 83	6.500 / 165	6.500 / 165		2.047 / 52	6205 (4)	Cream, 97-A
CR 100462-401-88	Load Wheel Assy	Single Poly Load Wheel, 97-A, Includes (4) Bearings	3.250 / 83	6.500 / 165	6.500 / 165		2.047 / 52	6205 (4)	Cream, 97-A
GWK-PE4500-LW	Load Wheel Kit	Includes (2) Load Wheel Assemblies 95-A, (2) Axles, Spacers, Washers & Fasteners	3.250 / 83	6.500 / 165	6.500 / 165		2.047 / 52	6205 (4)	Scotch, 95-A
GWK-PE4500XL-LW	Load Wheel Kit	Includes (2) Load Wheel Assemblies 97-A, (2) Axles, Spacers, Spacers, Washers & Fasteners	3.250 / 83	6.500 / 165	6.500 / 165		2.047 / 52	6205 (4)	Cream, 97-A
CR 077084-301	Load Wheel	Dual Poly Load Wheel, 95-A	3.250 / 83	3.250 / 83	3.250 / 83		2.047 / 52	6205 (2)	Scotch, 95-A
CR 077084-301-88	Load Wheel Assy	Dual Poly Load Wheel, 95-A, Includes (2) Bearings	3.250 / 83	3.250 / 83	3.250 / 83		2.047 / 52	6205 (2)	Scotch, 95-A
CR 077084-401	Load Wheel	Dual Poly Load Wheel, 97-A	3.250 / 83	3.250 / 83	3.250 / 83		2.047 / 52	6205 (2)	Cream 97-A
CR 077084-401-88	Load Wheel Assy	Dual Poly Load Wheel, 97-A, Includes (2) Bearings	3.250 / 83	3.250 / 83	3.250 / 83		2.047 / 52	6205 (2)	Cream, 97-A
CR 077086-301	Load Wheel	Tandem Poly Load Wheel, 95-A	3.250 / 83	5.000 / 127	5.000 / 127		2.047 / 52	6205 (2)	Scotch, 95-A
CR 077086-301-88	Load Wheel Assy	Tandem Poly Load Wheel, 95-A, Includes (2) Bearings	3.250 / 83	5.000 / 127	5.000 / 127		2.047 / 52	6205 (2)	Scotch, 95-A
CR 077086-401	Load Wheel	Tandem Poly Load Wheel, 97-A	3.250 / 83	5.000 / 127	5.000 / 127		2.047 / 52	6205 (2)	Cream, 97-A
CR 077086-401-88	Load Wheel Assy	Tandem Poly Load Wheel, 97-A, Includes (2) Bearings	3.250 / 83	5.000 / 127	5.000 / 127		2.047 / 52	6205 (2)	Cream, 97-A
CR 100462-KIT	Load Wheel Kit	Triple Poly Load Wheels, 95-A, (3) Wheels W/Bearings	3.250 / 83	2.000 / 51	2.000 / 51		2.047 / 52	6205 (6)	Scotch, 95-A
CR 100462-KIT-AA	Load Wheel Kit	Triple Poly Load Wheels, 95-A, (3) Wheels W/Bearings & Three Hole Axle	3.250 / 83	2.000 / 51	2.000 / 51		2.047 / 52	6205 (2)	Scotch, 95-A
CR 100462-KIT-XL	Load Wheel Kit	Triple Poly Load Wheels, 97-A, (3) Wheels W/Bearings	3.250 / 83	2.000 / 51	2.000 / 51		2.047 / 52	6205 (2)	Cream, 97-A
CR 79494	Drive Tire	Drive Tire, Poly 92-95A, Smooth Flat	13.500 / 343	4.500 / 114	4.500 / 114	8.000 / 203			Cream, 97-A
CR 79494-XG	Drive Tire	Drive Tire, Poly 92-95A, X Groove	13.500 / 343	4.500 / 114	4.500 / 114	8.000 / 203			Cream, 97-A
CR 79494-EZ	Drive Tire	Drive Tire, Poly 80-82A, Soft Ride, Smooth Flat	13.500 / 343	4.500 / 114	4.500 / 114	8.000 / 203			Red, 80-82-A
CR 74458-301-42	Drive Tire	Drive Tire, Rubber Lugged Tread	13.500 / 343	5.500 / 140	5.500 / 114	8.000 / 203			Black Rubber
CR 083179-201-A	Caster Wheel	Caster Wheel Assembly, Poly 95-A, Includes Bearings	4.000 / 102	2.500 / 64	2.500 / 64		2.047 / 52	6205 (2)	Scotch, 95-A
CR 083179-302-A	Caster Wheel	Caster Wheel Assembly, Poly 97-A, Includes Bearings	4.000 / 102	2.500 / 64	2.500 / 64		2.047 / 52	6205 (2)	Cream, 97-A

CR 100462-301-88



GWK-PE4500-XL-LW



CR 100462-KIT



CR 79494



CR 74458-301-42



CR 083179-035



CR 083179-302-A



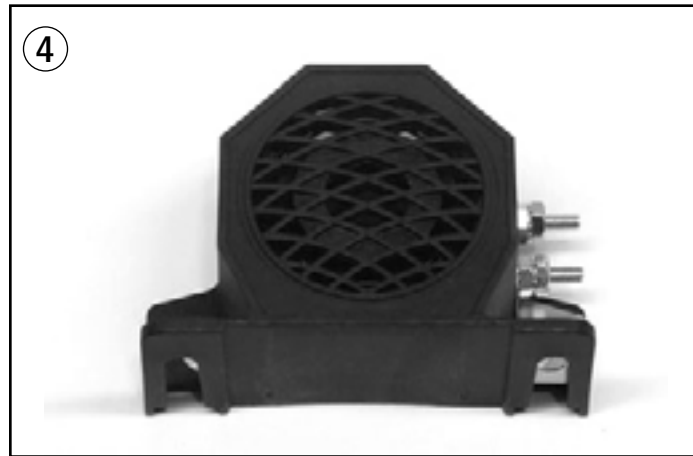
## Electrical - Battery Connectors



## Electrical - Battery Connectors

Item	Part No.	Description
1	CR 078723-002	175 Amp gray Housing, 24V
	CR 078723-008	175 Amp blue Housing, 24V
	CR 078723-004	175 Amp yellow Housing, 24V
	CR 078723-007	175 Amp red Housing, 24V
2	CR 118802-001	350 Amp gray Housing, 24V
	CR 118802-002	350 Amp blue Housing, 24V
	CR 118802-006	350 Amp yellow Housing, 24V
	CR 118802-003	350 Amp red Housing, 24V
3	CR 078724-002	175 Amp contacts, Set (2)
	CR 118803	350 Amp contacts, Set (2)
4	CR 116659	Connector Handle, 175/350 Amp, includes Screws

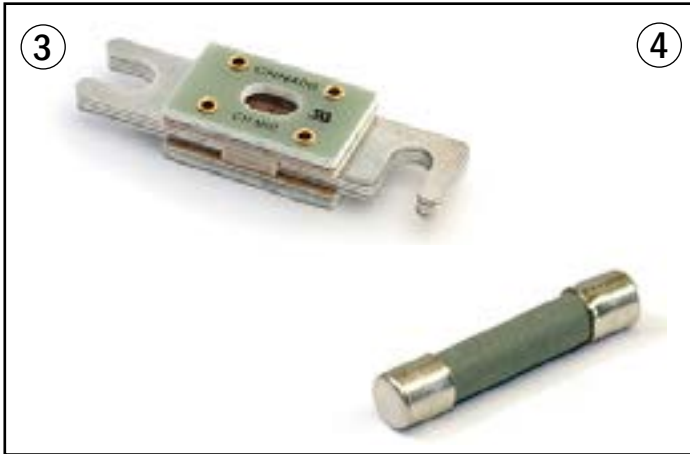
## Electrical - Console/Meters



## Electrical - Console/Meters

Item	Part No.	Description
1	CR 146286	Key Switch Assembly, Includes (2) Keys
2	CR 107151-001	Replacement Key
3	CR 107151-001-OEM	Replacement Key
4	CR 115565	Travel Alarm
5	CR 129244-001	Horn, Electronic

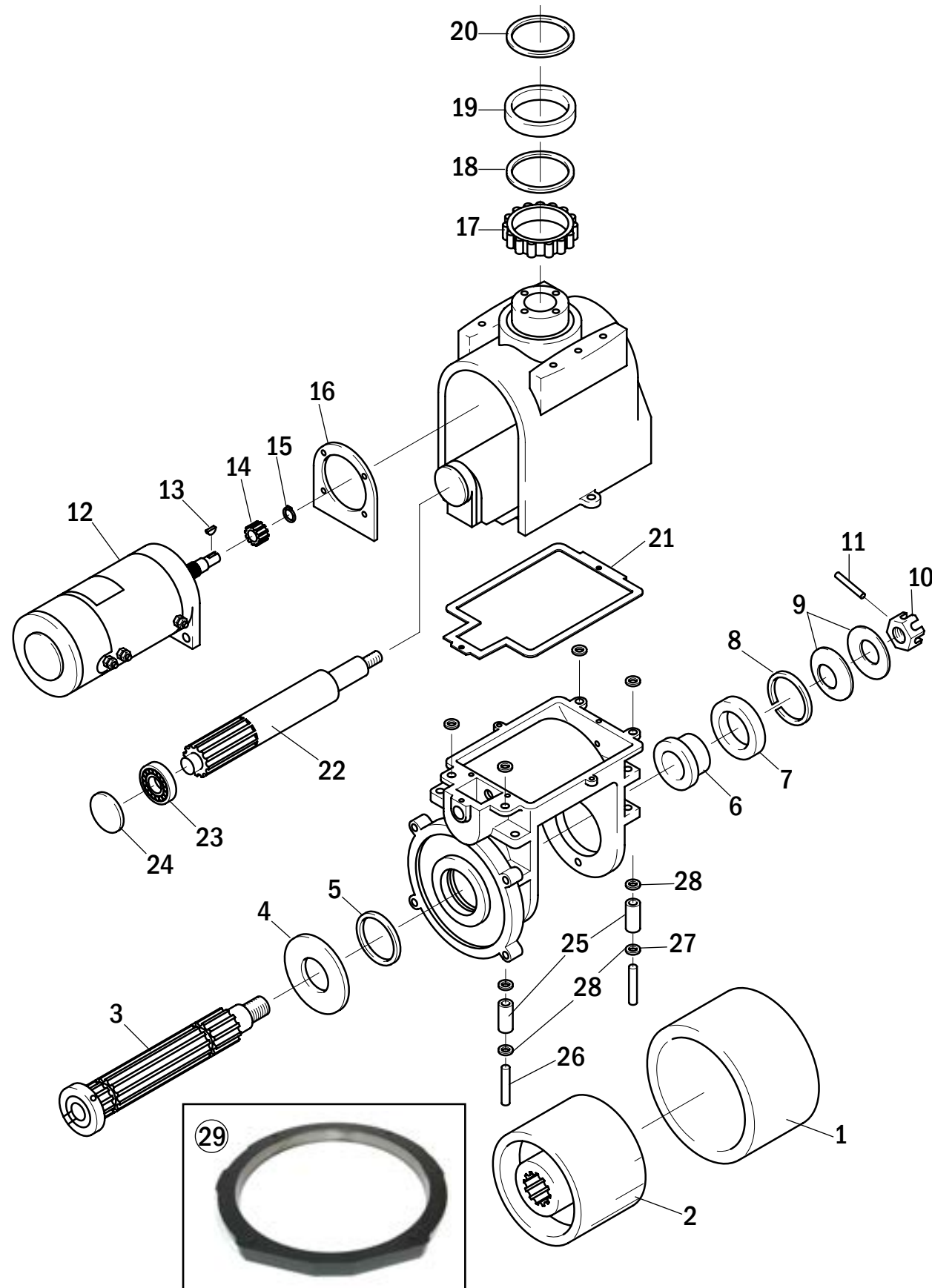
## Electrical - Motor Controller/Contactors



## Electrical - Motor Controller/Contactors

Item	Part No.	Description
	CR 148319S003-R	Motor controller - Renewed (Not Shown)
	CR 148319S003-C	Core charge
1	CR 110613-002	Main contactor
2	CR 120091	Contact Tip Kit
3	CR 132083-002	Fuse, 100 Amp
4	CR 094362-002	Fuse, 15 Amp
5	CR 112230	Fuse Bus Bar

# Drive Unit



# Drive Unit

Item	Part No.	Description
1		Please see Quick Wheel Look-Up (page 4-5) for Drive Tire Options
2	CR 113361	Hub
3	CR 113356	Axle
4	CR 90724	Slinger
5	CR 93613	Seal
6	CR 113359-001	Adaptor Bearing
7	CR 65081-055	Bearing
8	CR 60009-040	Retaining Ring
9	CR 113367	Washer
10	CR 60021-039	Nut
11	CR 60000-022	Roll Pin
12	CR 021143	Drive Motor 24V AC Motor Assembly
13	CR 61008-002	Key
14	CR 074784	Pinion Gear
15	CR 60009-011	Retaining Ring
16	CR 073432	Gasket
17	CR 077015	Bearing Cone
18	CR 073817	Felt Seal
19	CR 077014	Bearing Cup
20	CR 073818	Felt Seal
21	CR 109561	Gasket
22	CR 073439	Pinion Shaft
23	CR 073442	Bearing
24	CR 060026-004	Expansion Plug
25	CR 106527	Roller Assembly, incl. Bearings
26	CR 113365	Roller Shaft
27	CR 113366	Roller Shaft
28	CR 060030-224	Washer
29	CR 126397-004	Roller Race

**Brakes**



**Brakes**

Item	Part No.	Description
1	CR 080968	Brake Drum
2	CR 080675	Split Bushing
3	CR 109597	Brake Shoe
4	CR 102897	Spring
5	CR 102898	Camshaft
6	CR 109598	Plate
7	CR 102894	Brake Lever
8	CR 113084	Brake Assembly (Not Shown)



# Control Pod - Standard



# Control Pod - Standard

Item	Part No.	Description
1	CR 115331	Yoke
2	CR 089317	Pod
3	CR 126940	Grip
4	CR 060000-108	Roll Pin
5	CR 093904-001	Cap Button
6	CR 089324-001	Red Body Button
7	CR 088975	Bellows
8	CR 060032-035	Self Tapping Screw
9	CR 093068	Retainer
10	CR 080695	Spring
11	CR 060032-032	Self Tapping Screw
12	CR 060012-023	Screw #6
13	CR 073375	Switch
14	CR 089521	Bar
15	CR 092224	Split Bushing
16	CR 060030-163	Flat Washer
17	CR 089510	Bushing
18	CR 080275	Pinion
19	CR 060021-010	Nut
20	CR 089532	Bracket
21	CR 060005-010	Lockwasher
22	CR 076649-002	Insulator
23	CR 089529	Plate
24	CR 089549	Insulator
25	CR 133457	Potentiometer, Accelerate
26	CR 060000-075	Roll Pin
27	CR 060032-037	Self Tapping Screw
28	CR 087144	Cover
29	CR 114003	Insulator
30	CR 116329	Extension
	CR 092223	Bushing (not Shown)
31	CR 089342	Spacer
32	CR 118901	Switch FS & RS
33	CR 089336	Bracket
34	CR 060014-006	Screw #10
35	CR 060011-022	Screw #4
36	CR 089298-002	Rod
37	CR 060030-190	Flatwasher, .03" thick
38	CR 089356	Cam

Item	Part No.	Description
39	CR 089548	Spacer
40	CR 089514	Plate
41	CR 088611-002	Collar
42	CR 131105	Torsion Spring
43	CR 088611-002	Collar
44	CR 089509	Stop
45	CR 060011-027	Screw #4
46	CR 060011-021	Screw #4
47	CR 118901	Switch
48	CR 088753-003	Cover Unit
49	CR 117267-002	Lower Button
50	CR 117267-001	Raise Button
51	CR 117267-003	Horn Button
53	CR 073384	Spring

# Control Pod - Quickpick



# Control Pod - Quickpick

Item	Part No.	Description
1	CR 113387	Yoke
2	CR 089317	Pod
3	CR 115675	Grip
4	CR 060000-108	Roll Pin
5	CR 093904-001	Cap Button
6	CR 089324-001	Red Body Button
7	CR 088975	Bellow
8	CR 060032-035	Self Tapping Screw
9	CR 093068	Retainer
10	CR 080695	Spring
11	CR 060032-032	Self Tapping Screw
12	CR 060012-023	Screw #6
13	CR 073375	Switch
14	CR 089521	Bar
15	CR 092224	Split Bushing
16	CR 060030-163	Flat Washer
17	CR 089510	Bushing
18	CR 087144	Cover
19	CR 114003	Insulator
20	CR 060032-037	Self Tapping Screw
21	CR 060000-075	Roll Pin
22	CR 113425-001	Cover, Left
23	CR 113425-002	Cover, Right
24	CR 117269	Outer Button
25	CR 108693	Spring
26	CR 089362	Switch
27	CR 089362	Switch
28	CR 113432	Insulator
29	CR 113434	Insulator
30	CR 060045-020	Shoulder Bolt
31	CR 117270	Button
32	CR 073384	Spring
33	CR 115676	Extension
34	CR 113431	Insulator
35	CR 113433	Insulator
36	CR 089362	Switch
37	CR 089362	Switch
38	CR 089342	Spacer
39	CR 113352	Switch

Item	Part No.	Description
40	CR 089336	Bracket
41	CR 060014-006	Screw #10
42	CR 060011-022	Screw #4
43	CR 089298-001	Rod
44	CR 060030-190	Flatwasher
45	CR 089356	Cam
46	CR 089548	Spacer
47	CR 089514	Plate
48	CR 088611-002	Collar
49	CR 131105	Torsion Spring
50	CR 089509	Stop
51	CR 133457	Potentiometer
52	CR 089549	Insulator
53	CR 089529	Plate
54	CR 076649-002	Insulator
55	CR 060005-010	Lockwasher
56	CR 089532	Bracket
57	CR 060021-010	Nut
58	CR 080275	Pinion
59	CR 118901	Switch
60	CR 088753-003	Cover
61	CR 117267-002	Lower Button
62	CR 117267-001	Raise Button
63	CR 117267-003	Horn Button
64	CR 073384	Spring

# Control Pod - Freezer Corrosion



# Control Pod - Freezer Corrosion

Item	Part No.	Description
1	CR 115331	Yoke
2	CR 089317	Pod
3	CR 126940	Grip
4	CR 060000-108	Roll Pin
5	CR 093904-001	Cap Button
6	CR 089324-001	Red Button Body
7	CR 088975	Bellow
8	CR 060032-035	Self Tapping Screw
9	CR 093068	Retainer
10	CR 080695	Spring
11	CR 060032-032	Self Tapping Screw
12	CR 060012-023	Screw #6
13	CR 073375	Switch
14	CR 93887	Bracket mounting
15	CR 062033-013	Resistor
16	CR 089521	Bar
17	CR 092224	Split Bushing
18	CR 060030-163	Flatwasher
19	CR 089510	Bushing
20	CR 080275	Pinion
21	CR 060021-010	Nut
22	CR 089532	Bracket
23	CR 060005-010	Lockwasher
24	CR 076649-002	Insulator
25	CR 089529	Plate
26	CR 089549	Insulator
27	CR 125209	Potentiometer
28	CR 060000-075	Roll Pin
29	CR 060032-037	Self Tapping Screw
30	CR 087144	Cover
31	CR 114003	Insulator
32	CR 116329	Extension
	CR 092223	Bushing - not Shown
33	CR 089342	Spacer
34	CR 118901	Switch
35	CR 089336	Bracket
36	CR 060014-006	Screw #10
37	CR 060011-021	Screw #4
38	CR 089298-002	Rod

Item	Part No.	Description
39	CR 093492-001	Bracket
40	CR 060030-190	Flatwasher
41	CR 089356	Cam
42	CR 089548	Spacer
43	CR 089514	Plate
44	CR 088611-002	Collar
45	CR 131105	Torsion Spring
46	CR 089509	Stop
47	CR 101589	Switch Horn
48	CR 078879	Switch, Lower and Raise
49	CR 101735-002	Cover
50	CR 075585	Seal
51	CR 077635	Adaptor
53	CR 062033-013	Resistor

# Control Pod - Quickpick - Freezer Corrosion



# Control Pod - Quickpick - Freezer Corrosion

Item	Part No.	Description
1	CR 113387	Yoke
2	CR 089317	Pod
3	CR 126940	Grip
4	CR 060000-004	Roll Pin
5	CR 093904-001	Cap Button
6	CR 089324-001	Red Body Button
7	CR 088975	Bellow Switch
8	CR 060032-035	Self Tapping Screw
9	CR 093068	Retainer
10	CR 080695	Spring
11	CR 060032-032	Self Tapping Screw
12	CR 060012-023	Screw #6
13	CR 073375	Switch
14	CR 093887	Mounting Bracket
15	CR 092874	Resistor
16	CR 089521	Bar
17	CR 092224	Split Bushing
18	CR 060030-163	Flatwasher
19	CR 089510	Bushing
20	CR 087144	Cover
21	CR 114003	Insulator
22	CR 060032-037	Self Tapping Screw
23	CR 060000-075	Roll Pin
24	CR 113425-001	Cover, Left
25	CR 113425-002	Cover, Right
26	CR 117269	Outer Button
27	CR 108693	Spring
28	CR 089362	Switch
29	CR 089362	Switch
30	CR 113432	Insulator
31	CR 113434	Insulator
32	CR 060045-020	Shoulder Bolt
33	CR 117270	Button, inner
34	CR 073384	Spring
35	CR 115676	Extension
36	CR 113431	Insulator
37	CR 113433	Insulator
38	CR 089362	Switch
39	CR 089362	Switch
40	CR 089342	Spacer
41	CR 113352	Switch
42	CR 089336	Bracket
43	CR 060014-006	Screw #10
44	CR 060011-021	Screw #4
45	CR 089298-002	Rod
46	CR 093492-002	Bracket
47	CR 092874	Resistor
48	CR 060030-190	Flatwasher
49	CR 089356	Cam
50	CR 089548	Spacer
51	CR 089514	Plate
52	CR 088611-002	Collar
53	CR 089360	Torsion Spring
54	CR 089509	Stop
55	CR 079019	Potentiometer
56	CR 089549	Insulator
57	CR 089529	Plate
58	CR 076649-002	Insulator
59	CR 060005-010	Lockwasher
60	CR 089532	Bracket
61	CR 060021-010	Nut
62	CR 080275	Pinion
63	CR 078879	Switch, Lower & Raise
	CR 101589	Switch, Horn
64	CR 102525-002	Cover
65	CR 075585	Seal
66	CR 077635	Adaptor

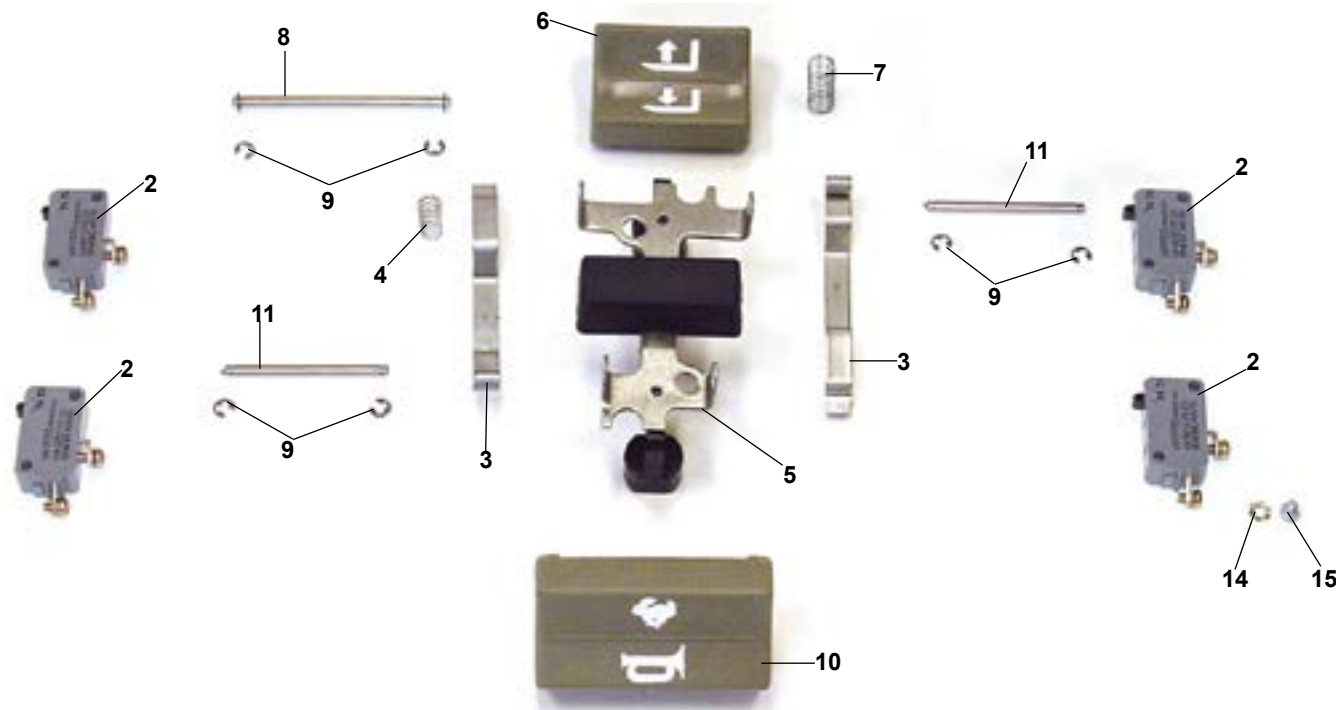
## Control Arm



## Control Arm

Item	Part No.	Description
1	CR 115270	Control Handle w/Bushings
	CR 115269	Control Handle, Coast Option w/Bushings (not Shown)
2	CR 73842	Bushing
3	CR 115280	Cam
4	CR 074909	Spring
5	CR 084777	Spacer
6	CR 060000-053	Roll Pin
7	CR 109528	Pivot Shaft
8	CR 079791	Spring
9	CR 103418-031	Spacer
10	CR 115230	Cam
11	CR 060000-053	Roll Pin
12	CR 073830	Bearing
13	CR 073831	Bushing
14	CR 138890	Switch
15	CR 115282	Bumper
16	CR 133453	Wiring Harness, Handle, Standard & Freezer/Corrosion
17	CR 060015-085	Screw

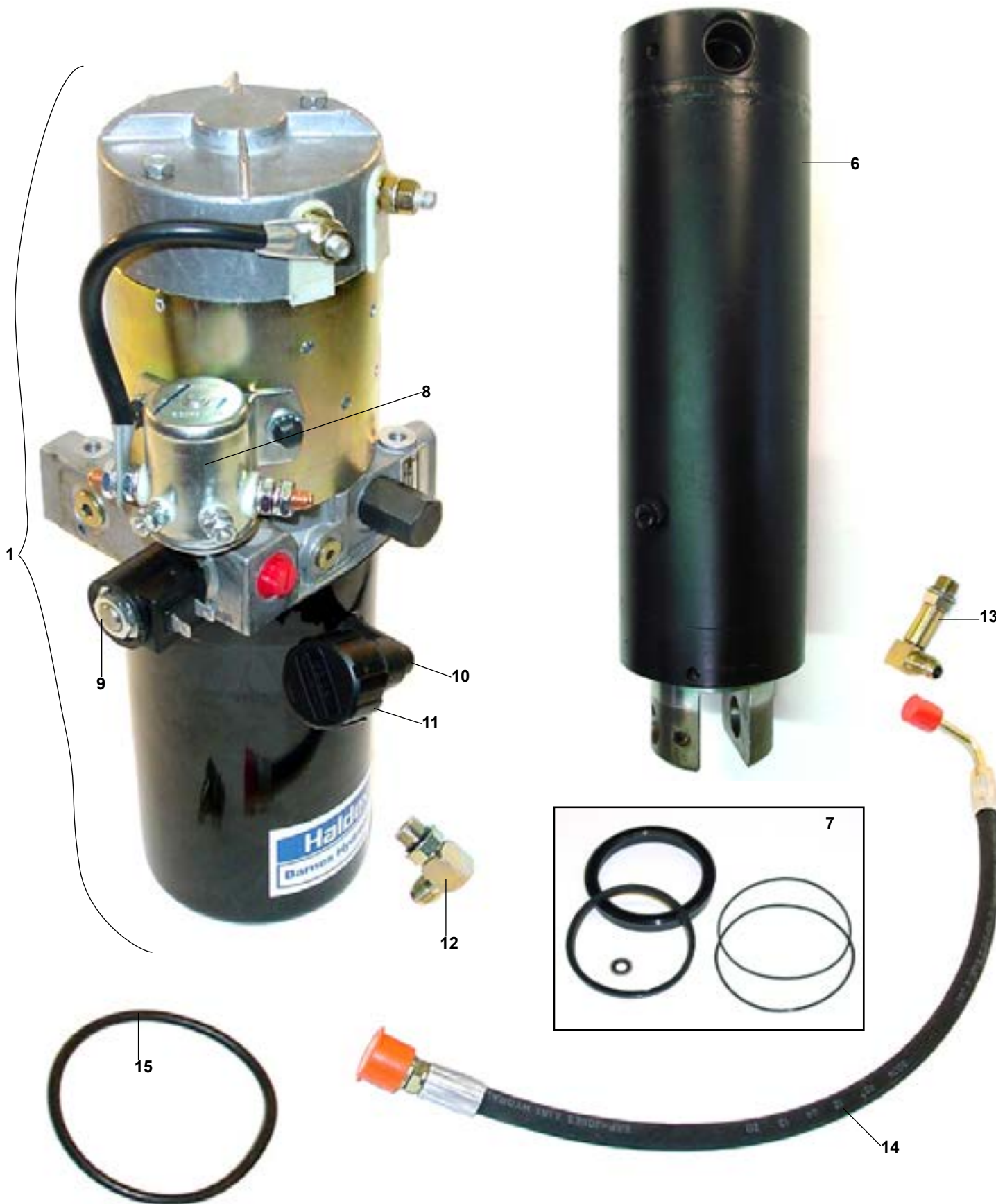
## Control - Grab Bar



## Control - Grab Bar

Item	Part No.	Description
1	CR 130625-003	Grab Bar without Quick Coast
	CR 130625-004	Grab Bar w/Quick Coast (not Shown)
2	CR 089362	Switch
	CR 060064-003	Screw
	CR 0 60005-036	Lockwasher
3	CR 115407	Lever Switch
4	CR 115406	Spring
5	CR 127937	Bracket
6	CR 115408	Button, Lift/Lower
7	CR 115405	Spring (Button)
8	CR 115410-001	Button Pin
9	CR 060009-070	Retaining Ring
10	CR 115409	Horn/3rd Speed Button
11	CR 115410-002	Button Pin
12	CR 130811	Cushion mat (not Shown)
13	CR 129139-002	Quick coast Switch (not Shown)

# Hydraulic System

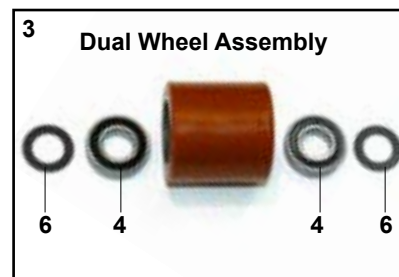
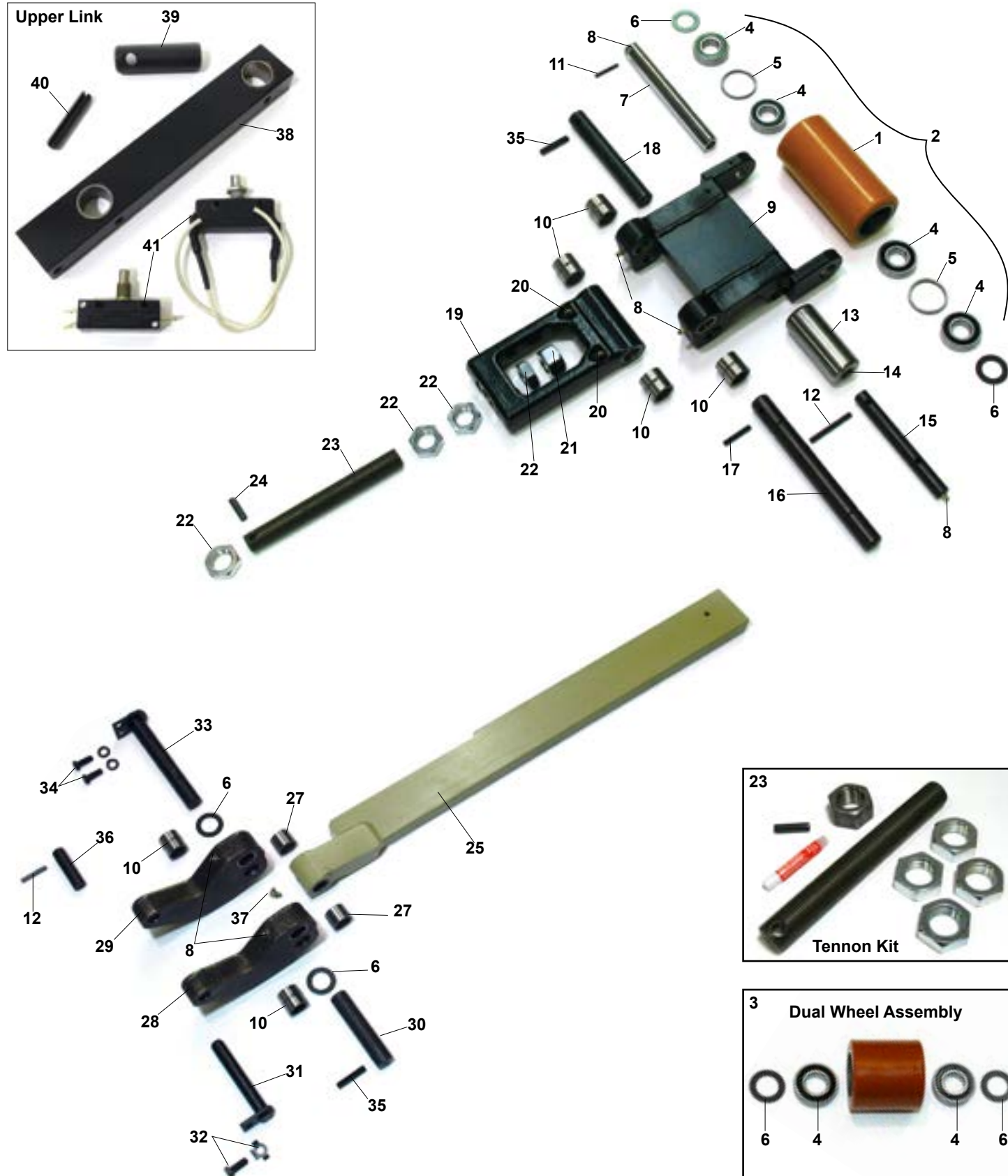


# Hydraulic System

Item	Part No.	Description
1	CR 131336	Pump and Motor Assembly, 24V
2	CR 126426-AM	Lift Pump Motor - After-Market
3	CR 125789	Brush & Spring Kit, Includes (4) Brushes and (4) Springs
4	CR 128742	Brush Holder
5	CR 084343	Solenoid Switch
6	CR 115218	Lift Cylinder Assembly
7	CR 116820	Lift Cylinder Seal Kit
8	CR 084343	Solenoid Switch
9	CR 084344-004	Solenoid Valve
10	CR 064013-001	Breather Elbow
11	CR 070550	Breather
12	CR 64061-002	Elbow Fitting, fits Power Unit
13	CR 64098-008	Elbow Fitting, fits Hydraulic Cylinder
14	CR 064103-064	Hose Assembly
15	CR 084316	O-Ring



# Frame and Undercarriage



# Frame and Undercarriage

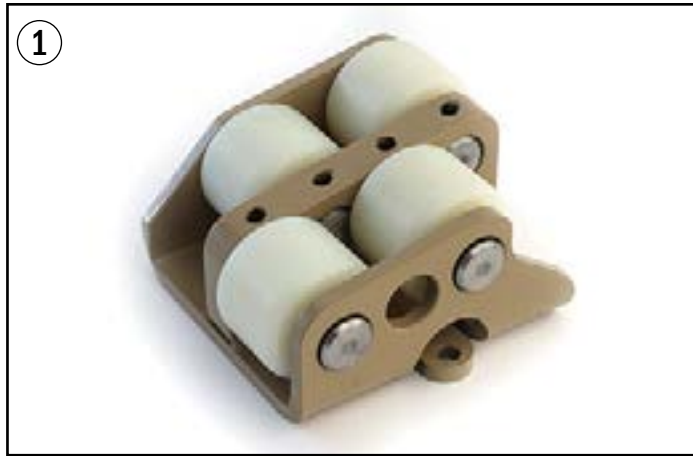
Item	Part No.	Description
Please see Quick Wheel Look-up (page 4-5) for all Load Wheel Options		
	GWK-PE4500-LW	Load Wheel Kit
	GWK-PE4500-LW-XL	Load Wheel Kit, Poly 97A
1	CR 100462-035	Load Wheel, High Load
2	CR 100611-035	Load Wheel Assembly, High Load (95-A) With Bearings
3	CR 092537-035	Dual Wheel Assembly
4	CR 065081-021	Bearing
5	CR 100463	Spacer
6	CR 060030-050	Washer
7	CR 116802	Load Wheel Axle
8	CR 100779	Lube Fitting
9	CR 115491	Riser
10	CR 065117-001	Bushing HTX
11	CR 060000-081	Roll Pin
12	CR 060000-036	Roll Pin
13	CR 115508	Steel Roller
14	CR 065117-003	Bushing
15	CR 115509	Steel Roller Axle
16	CR 115510	Pivot Axle
17	CR 060000-104	Roll Pin
18	CR 115496	Tension Bar Axle
19	CR 115497	Tension Bar End w/Bushings
20	CR 089297	Lube Fitting Body
21	CR 060021-096	Nut
22	CR 060021-095	Jam Nut
23	CR 125266-001	Tennon Kit (13.19" Battery Compact) Includes 21, 22, 24 and Thread Adhesive
24	CR 060000-080	Roll Pin
25	To ensure proper part Size, please call with your Serial Number for Tension Bar price and Availability	
27	CR 065117-002	Bushing
28	CR 115517	Outboard Link w/Bushings
29	CR 115516	Inboard Link w/Bushings

Item	Part No.	Description
30	CR 115515	Axle
31	CR 115521	Shaft
32	CR 060017-007	Screw
	CR 127349	Clip
33	CR 115518	Axle
34	CR 060017-007	Screw
	CR 060005-009	Lockwasher
35	CR 060000-109	Roll Pin
36	CR 116801	Pin
37	CR 080573	Lube Fitting
38	CR 115333	Upper LH Link w/Bushing
39	CR 118924	Pin
40	CR 060000-110	Spiral Roll Pin
41	CR 079133	LMS Switch
	CR 078727-004	LMS Switch, Freezer/Corrosion





## Entry Rollers



## Entry Rollers

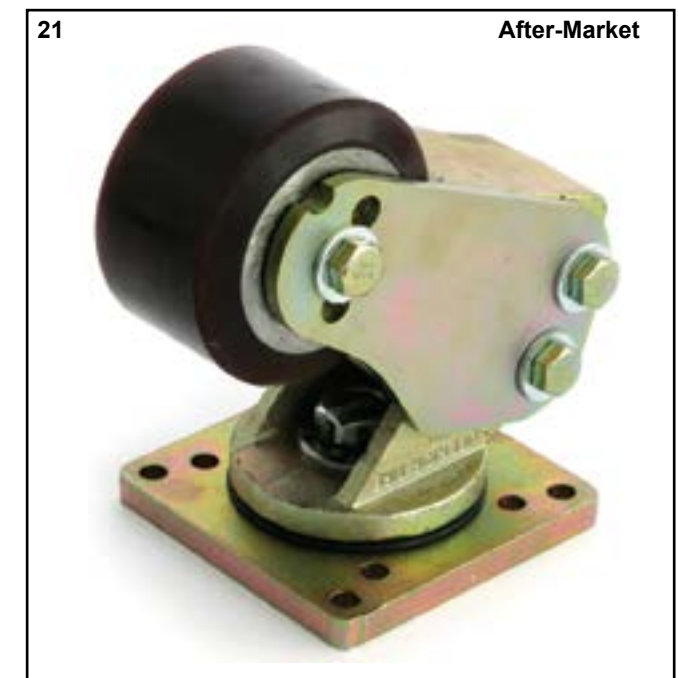
Item	Part No.	Description
1	CR 115252	Entry Roller Assembly
2	CR 115388	Mount Wheel
3	CR 115384	Axle
4	CR 060000-024	Roll Pin
5	CR 115385	Booster Wheel
6	CR 060005-038	Lockwasher
7	CR 060017-033	Screw

# Caster - Shim Free



# Caster - Shim Free

Item	Part No.	Description
1	CR 083179-035 CR 083179-050	Caster Wheel w/ Shoulder Bearings, 95-A Caster Wheel w/ Shoulder Bearings, 97-A
2	CR 128648-002	Axle
3	CR 060021-028	Nut
4	CR 060089-008	Wedge Washers (Set)
5	CR 100779	Lube Fitting
6	CR 065007-030	Bushing
7	CR 107157-001	Pin Hinge, Freezer/Corrosion Resistant
8	CR 060015-003	Screw
9	CR 060005-007	Lockwasher
10	CR 082640	Compression Spring
11	CR 082639	Compression Spring
12	CR 082642	Felt Seal
13	CR 065043	Thrust Bearing
14	CR 065044	Bearing Cup
15	CR 065045	Bearing Cone
16	CR 060030-104	Washer
17	CR 060021-058	Nut
18	CR 082641	Hub Cap
19	CR 060038-001	Cotter Pin
20	CR 065081-070	Bearing, Extended Race
21	CR 129929-S001	Caster Assembly, After-Market



# Caster - Quick Adjustment



# Caster - Quick Adjustment

Item	Part No.	Description
1	CR 083179-035 CR 083179-050	Caster Wheel w/ Shoulder Bearings, High Load, 95-A Caster Wheel w/ Sgoulder Bearings, High Load, 97-A
2	CR 115368	Axle, Freezer/Corrosion Resistant
3	CR 115348	Spring
4	CR 116776	Shaft, without Torsion Bar
5	CR 115372	Shaft, with Torsion Bar (not Shown)
6	CR 060017-021	Screw
7	CR 060005-009	Lockwasher
8	CR 115369	Grease Cap
9	CR 107629	Nut
10	CR 060038-001	Cotter Pin
11	CR 060030-227	Flatwasher
12	CR 065069	Cup and Cone Bearing
13	CR 065043	Thrust Bearing
14	CR 082642	Felt Seal
15	CR 115363	Yoke
16	CR 100779	Lube Fitting
17	CR 065081-070	Bearing, Extended Race

**SUPER  
STORES  
SERVICE**

**800-462-2370**

**[www.SuperStoresService.com](http://www.SuperStoresService.com)**