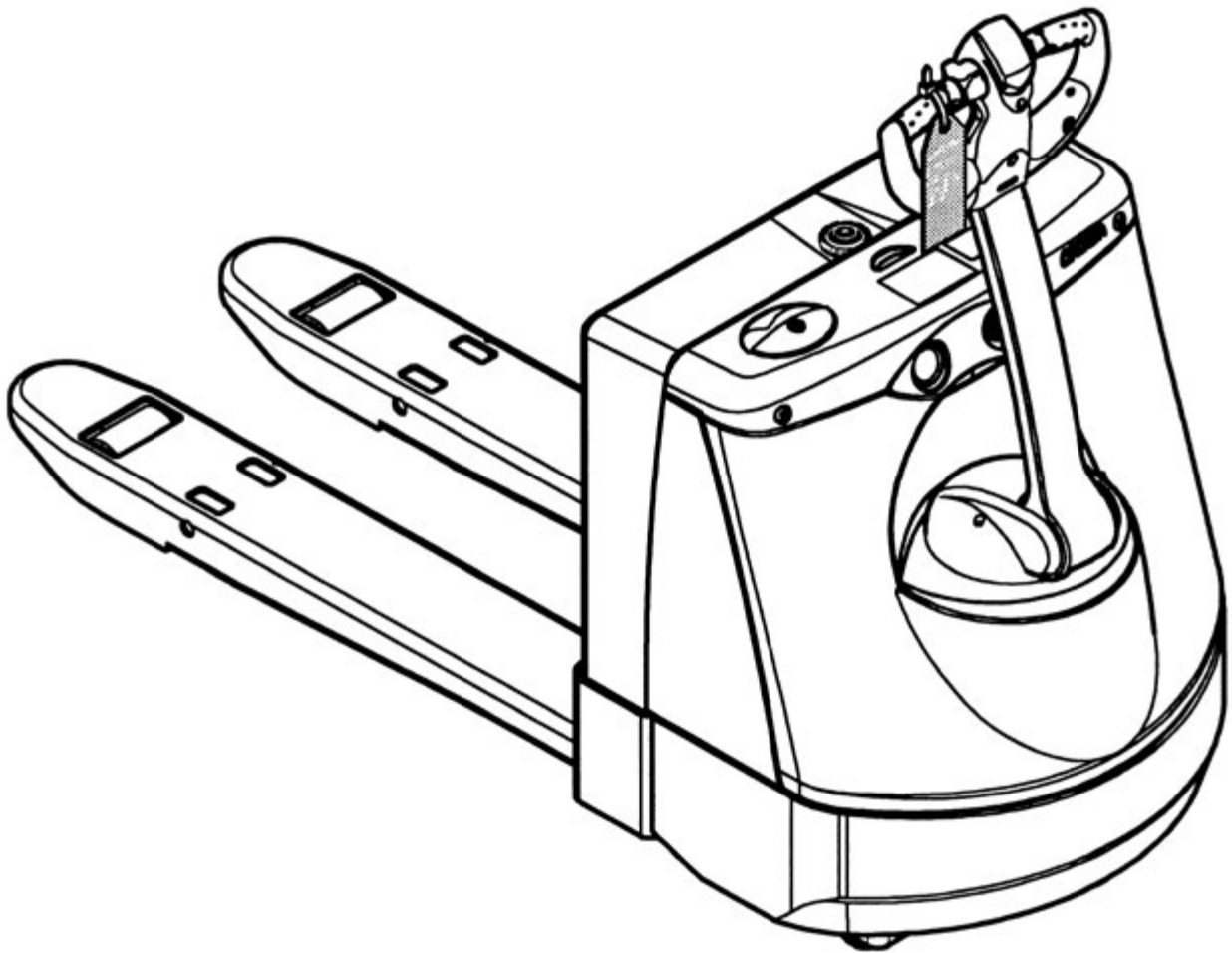


**Replacement Parts**  
**for**  
**Crown WP 2000 Series**



**800-462-2370**  
**[www.SuperStoresService.com](http://www.SuperStoresService.com)**



# Truck Data Nomenclature

**WP 2 0 45 - 45**

**Capacity**

45 = 4500 lb. (2040kg)

**Relative Size or Performance**

- 30 = 7.8 in. (200mm) battery compartment
- 35 = 7.8 in. (200mm) battery compartment with trailer package
- 40 = 9.0 in. (230mm) battery compartment
- 45 = 9.0 in. (230mm) battery compartment with trailer package

**Series Update**

Significant change(s) to the product that would not merit a new series number (generation)

**Series**

Major technical and design changes making the product a new and improved generation

**Image Generator**

WP - Walkie Pallet

# Contents

|   |    |
|---|----|
| <a href="#">Quick Wheel Lookup</a>                | 4  |
| <hr/>   |    |
| <b>Electrical</b>                                 |    |
| <a href="#">Battery Tray and Chargers</a>         | 6  |
| <a href="#">Power Unit</a>                        | 8  |
| <a href="#">Instrument Panel</a>                  | 10 |
| <hr/>   |    |
| <b>Drive Unit</b>                                 |    |
| <a href="#">Drive Unit</a>                        | 12 |
| <a href="#">Drive Motor, Brakes and Hydraulic</a> | 14 |
| <a href="#">Control Handle</a>                    | 16 |
| <a href="#">Knuckle</a>                           | 18 |
| <hr/>   |    |
| <b>Control Pod</b>                                | 20 |
| <hr/>   |    |
| <b>Frame and Undercarriage</b>                    | 22 |
| <hr/>   |    |
| <b>Caster Assembly</b>                            | 24 |
| <hr/>   |    |

## Quick Wheel Lookup

## Quick Wheel Lookup

[back to Content page](#)

| OEM #            | Wheel Type               | Description   | Wheel OD in/mm | Tread Width in/mm | Hub Width in/mm | Hub ID in/mm | Bearing OD in/mm | Bearing #   | Material/Color       |
|------------------|--------------------------|---|----------------|-------------------|-----------------|--------------|------------------|-------------|----------------------|
| CR 123603-010    | Load Wheel               | Poly Load Wheel (95-A)  | 3.250 / 83     | 4.500 / 114       | 4.500 / 114     | 2.125 / 54   | 1.181 / 30       | BS 6006 2RS | Scotch, 95-A         |
| CR 123603-A      | Load Wheel               | Poly Load Wheel (95-A) w/ Bearings & Washers                      | 3.250 / 83     | 4.500 / 114       | 4.500 / 114     | 2.125 / 54   | 1.181 / 30       | BS 6006 2RS | Scotch, 95-A         |
| CR 123603-XL     | Load Wheel               | Poly Load Wheel (97-A)  | 3.250 / 83     | 4.500 / 114       | 4.500 / 114     | 2.125 / 54   | 1.181 / 30       | BS 6006 2RS | Cream, 97-A          |
| CR 123603-XL-A   | Load Wheel               | Poly Load Wheel (97-A) w/ Bearings & Washers                      | 3.250 / 83     | 4.500 / 114       | 4.500 / 114     | 2.125 / 54   | 1.181 / 30       | BS 6006 2RS | Cream, 97-A          |
| GWK-WP2000-LW    | Load Wheel Kit           | Kit Includes (2) Load Wheels (95-A) w/ Bearing, Axles & Fasteners | 3.250 / 83     | 4.500 / 114       | 4.500 / 114     | 2.125 / 54   | 1.181 / 30       | BS 6006 2RS | Scotch, 95-A         |
| GWK-WP2000-LW-XL | Load Wheel Kit, Poly 97A | Kit Includes (2) Load Wheels (97-A) w/ Bearing, Axles & Fasteners | 3.250 / 83     | 4.500 / 114       | 4.500 / 114     | 2.125 / 54   | 1.181 / 30       | BS 6006 2RS | white, 97-A          |
| CR 127251        | Drive Tire               | Drive Tire, Rubber, Smooth Flat                                   | 10.00 / 254    | 4.00 / 102        | 4.00 / 102      | 6.50 / 165   | n/a              | n/a         | Rubber, Black        |
| CR 127248-001    | Drive Tire Assembly      | Drive Tire, Rubber, Smooth Flat w/ Hub                            | 10.00 / 254    | 4.00 / 102        | 4.00 / 102      | 6.50 / 165   | n/a              | n/a         | Rubber, Black        |
| CR 75715-010     | Drive Tire               | Drive Tire, Poly, Smooth Flat                                     | 10.00 / 254    | 4.00 / 102        | 4.00 / 102      | 6.50 / 165   | n/a              | n/a         | Poly, Maroon 88-92-A |
| CR 127249        | Drive Tire Assembly      | Drive Tire, Poly, Smooth Flat w/ Hub                              | 10.00 / 254    | 4.00 / 102        | 4.00 / 102      | 6.50 / 165   | n/a              | n/a         | Poly, Maroon 88-92-A |
| CR 127250        | Hub                      | Drive Tire Hub  | 10.00 / 254    | 4.00 / 102        | 4.00 / 102      | 6.50 / 165   | n/a              | n/a         |                      |
| CR 805888-010    | Caster Wheel             | Caster Wheel Assembly (95-A) w/ Bearings                          | 3.50 / 89      | 1.75 / 45         | 2.00 / 51       | 1.850 / 47   | 0.787 / 20       | BS 6204 2RS | Scotch, 95-A         |

### CR 123603-010

Load wheel  
Poly Hy Load (95A)



### CR 123603-XL

Load wheel  
Poly Hy Load (97A)



### GWK-WP2000-LW

Load wheel kit: 2 Poly Hy Load wheels (95A) w/bearings, axles & fasteners



### CR 127248-001

Drive tire assembly, rubber includes hub



### CR 127249

Drive tire assembly, Poly includes hub



### CR 805888-010

Caster wheel assembly includes bearings and washers



### CR 123603-A

Load Wheel assembly Poly 95A includes bearings, washers



### CR 123603-XL-A

Load wheel  
Poly Hy Load (97A)



### GWK-WP2000-LW-XL

Load wheel kit: 2 Poly Hy Load wheels (97A) w/bearings, axles & fasteners



### CR 127251

Drive tire  
smooth black rubber



### CR 75715-010

Drive tire, Poly 95A



### CR 127250

Tire hub



## Electrical - Battery Tray and Chargers



## Electrical - Battery Tray and Chargers

[back to Content page](#)

| Item | Part No.         | Description  |
|------|------------------|--|
| 1    | CR 127455        | Charger 120V 60 Hz   |
| 2    | CR 127537        | Charger Cord, AC Jumper  |
| 3    | CR 808172        | Cover assembly   |
| 4    | CR 807729        | Battery tray assembly, Maintenance Free Batteries                |
| 5    | CR 808278        | Battery tray assembly, swing out (not shown), Wet Cell Batteries |
| 6    | CR 78723-002     | Battery Connector, Gray 175 Amp                                  |
| 7    | CR 78724-001     | Contact Set (2pc) , 175 Amp                                      |
| 8    | CR 045239-002    | Disconnect handle, lower   |
| 9    | CR 045239-001-03 | Disconnect handle, upper   |
| 10   | CR 805814        | Spring paper clip (not shown)                                    |
| 11   | CR 805845        | Housing (not shown)  |



## Electrical - Power Unit

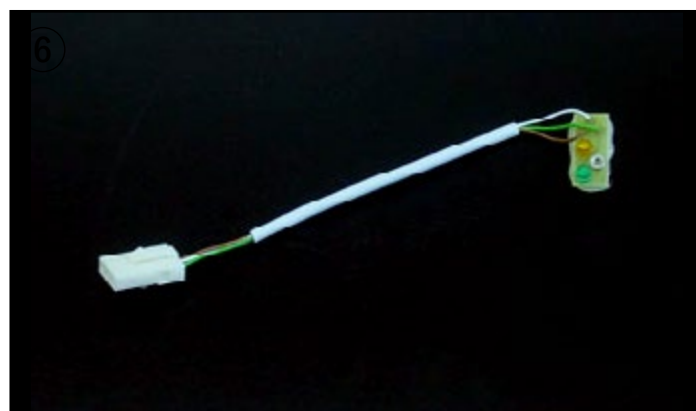
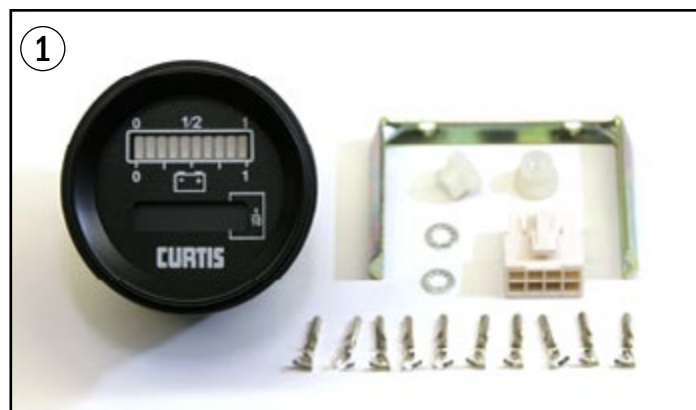


## Electrical - Power Unit

[back to Content page](#)

| Item | Part No.                             | Description  |
|------|--------------------------------------|--|
| 1    | CR 805780-002-R<br>CR 805780-002-R-C | Controller, Renewed<br>Core Deposit                      |
| 2    | CR 802820                            | Contactor, 24V   |
| 3    | CR 078708-002                        | Horn   |
| 4    | CR 805864<br>CR 808032               | Micro switch (LMS)<br>Micro switch (LMS) F/C (not shown) |
| 5    | CR 803310                            | Switch actuator  |
| 6    | CR 802816-005                        | Fuse, 125 Amp (FU1)                                      |
| 7    | CR 805824                            | Fuse holder  |

## Electrical - Instrument Panel

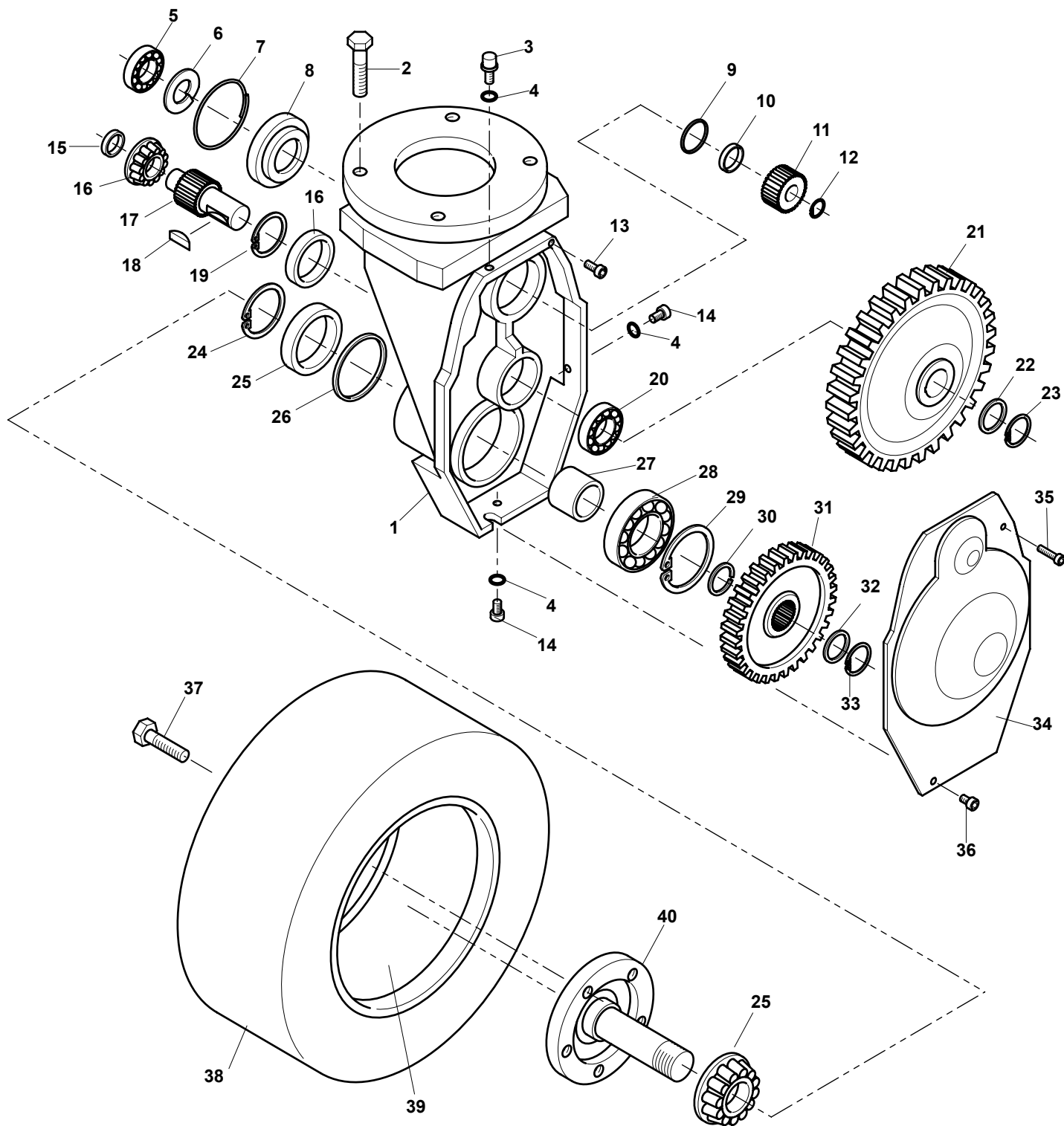


## Electrical - Instrument Panel

[back to Content page](#)

| Item | Part No.      | Description                                 |
|------|---------------|---|
| 1    | CR 802833     | Unigauge                                    |
|      | CR 113773-006 | Hour meter (not shown)                      |
|      | CR 106288     | Battery discharge meter (not shown)         |
|      | CR 126238-002 | Battery discharge meter for MFB (not shown) |
| 2    | CR 072708-OEM | Key switch, Inc. 2 keys, ring & nut         |
| 3    | CR 077633     | Toggle Switch, Inc.nut                      |
| 4    | CR 120127     | Flange inlet, AC                            |
| 5    | CR 810562     | Charger LED                                 |
| 6    | CR 805752     | Fuse holder                                 |
|      | CR 805751-001 | Fuse 10A (FU2)                              |
|      | CR 805751-002 | Fuse, 2A (FU3) (not shown)                  |
| 7    | CR 805892     | Thermostat, F/C                             |
| 8    | CR 045271-004 | Cover, unit with battery charger            |
|      | CR 045271-001 | Cover, unit w/o battery charger (not shown) |

# Drive Unit



# Drive Unit

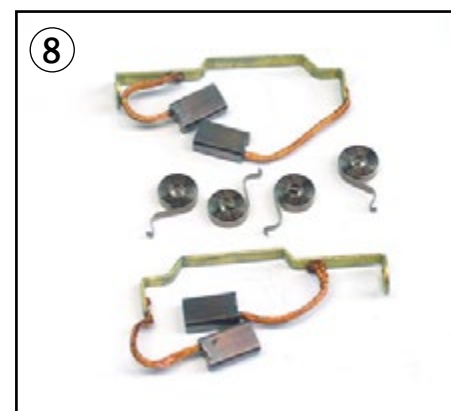
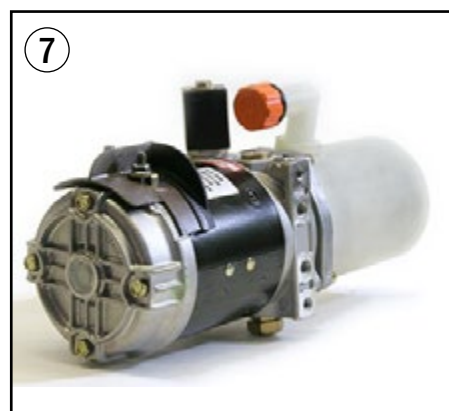
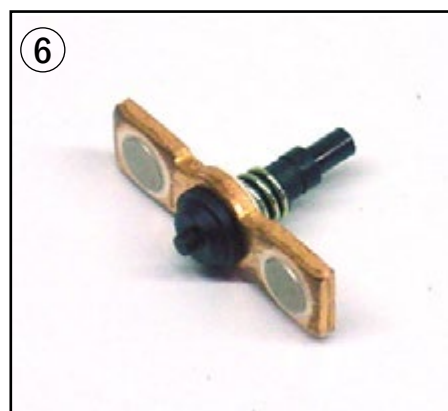
[back to Content page](#)

| Item | Part No.      | Description          |
|------|---------------|----------------------|
| 1    | CR 805101     | Housing              |
| 2    | CR 050005-037 | Screw                |
| 3    | CR 805109     | Breather             |
| 4    | CR 805110-003 | Seal                 |
| 5    | CR 805111-005 | Bearing              |
| 6    | CR 805116-002 | Washer               |
| 7    | CR 805117     | O-ring               |
| 8    | CR 805113-002 | Bushing              |
| 9    | CR 805110-002 | Seal                 |
| 10   | CR 805118     | Ring                 |
| 11   | CR 805108     | Pinion               |
| 12   | CR 805112-005 | Retaining ring       |
| 13   | CR 805115-003 | Screw                |
| 14   | CR 805115-004 | Screw                |
| 15   | CR 805107     | Cap                  |
| 16   | CR 805111-003 | Cup and cone bearing |
| 17   | CR 805105     | Pinion               |
| 18   | CR 805106     | Key                  |
| 19   | CR 805112-004 | Retaining ring       |
| 20   | CR 805111-004 | Bearing              |
| 21   | CR 805104     | Gear                 |
| 22   | CR 805116-001 | Washer               |
| 23   | CR 805112-003 | Retaining ring       |
| 24   | CR 805112-001 | Retaining ring       |
| 25   | CR 805111-001 | Cup and cone bearing |
| 26   | CR 805110-001 | Seal                 |

| Item | Part No.         | Description                                 |
|------|------------------|---|
| 27   | CR 805113-001    | Bushing                                     |
| 28   | CR 805111-002    | Bearing                                     |
| 29   | CR 805112-006    | Retaining ring                              |
| 30   | CR 805114-001    | Shim  |
| 31   | CR 805102        | Gear  |
| 32   | CR 805114-002    | Shim  |
| 33   | CR 805112-002    | Retaining ring                              |
| 34   | CR 805103        | Gear box                                    |
| 35   | CR 805115-002    | Screw                                       |
| 36   | CR 805115-001    | Screw                                       |
| 37   | CR 050074-002    | Lug bolt                                    |
| 38   | CR 127251-001    | Rubber drive tire                           |
|      | CR 127248-001    | Rubber drive tire assembly, includes hub    |
|      | CR 127251-001-XG | Rubber drive tire, X groove                 |
|      | CR 127248-001-XG | Rubber drive tire assembly, X groove w/ hub |
|      | CR 75715-010     | Poly drive tire, 90-92A                     |
|      | CR 127249        | Poly drive tire assembly, includes hub      |
|      | CR 75715-010-XG  | Poly drive tire, X groove                   |
|      | CR 127249-XG     | Poly drive tire assembly, X groove w/ hub   |
| 39   | CR 127250        | Hub   |
| 40   | CR 805100        | Wheel shaft                                 |



## Drive Motor, Brake and Hydraulics



## Drive Motor, Brake and Hydraulics

[back to Content page](#)

| Item | Part No.      | Description  |
|------|---------------|--|
| 1    | CR 805839-AM  | Traction Motor (After-Market) (Original OEM Motor) |
| 2    | CR 128092     | Brush Kit, incl. 4 Brushes & 4 Springs             |
| 3    | CR 807102     | Brake Assembly                                     |
| 4    | CR 802820     | Contact (Pump & Line)                              |
| 5    | CR 803689     | Fixed Contact                                      |
| 6    | CR 803690     | Moveable Contact                                   |
| 7    | CR 805770-001 | Pump and Motor Assembly                            |
| 8    | CR 128091     | Brush & Spring kit (Hydraulic Pump Motor)          |
| 9    | CR 805600     | Lift Cylinder Assembly                             |
| 10   | CR 128093     | Seal Kit (fits 805600)                             |
| 11   | CR 805158     | Pump Motor (New Motor)                             |



## Control Handle

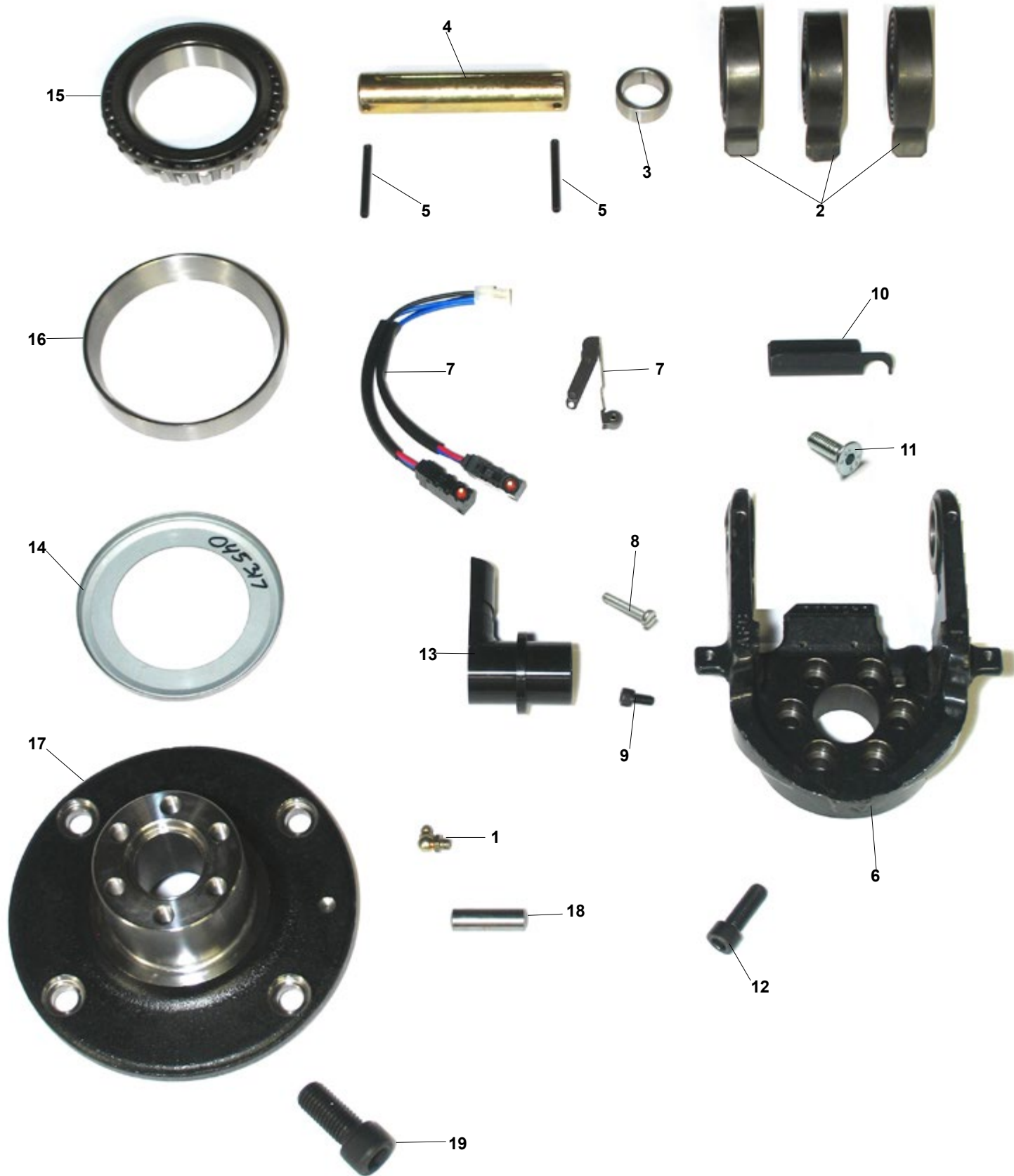


## Control Handle

[back to Content page](#)

| Item | Part No.      | Description             |
|------|---------------|-------------------------|
| 1    | CR 804937     | Grip                    |
| 2    | CR 050005-087 | Screw                   |
| 3    | CR 050005-054 | Screw                   |
| 4    | CR 050005-066 | Screw                   |
| 5    | CR 045322     | Handle Arm              |
| 6    | CR 051058-001 | Bushing                 |
| 7    | CR 803348     | Stop                    |
| 8    | CR 050004-010 | Screw                   |
| 9    | CR 803918     | Switch Assembly         |
| 10   | CR 050004-001 | Screw                   |
| 11   | CR 050005-010 | Screw                   |
| 12   | CR 051057-001 | Spring                  |
| 13   | CR 803469-002 | Screw                   |
| 14   | CR 803330     | Guide Plate             |
| 15   | CR 803325     | Bellow                  |
| 16   | CR 802852     | Button                  |
| 17   | CR 805867-001 | Wiring Harness Assembly |
| 18   | CR 805832     | Cable Holder            |
| 19   | CR 050004-038 | Screw                   |

# Control Arm Knuckle

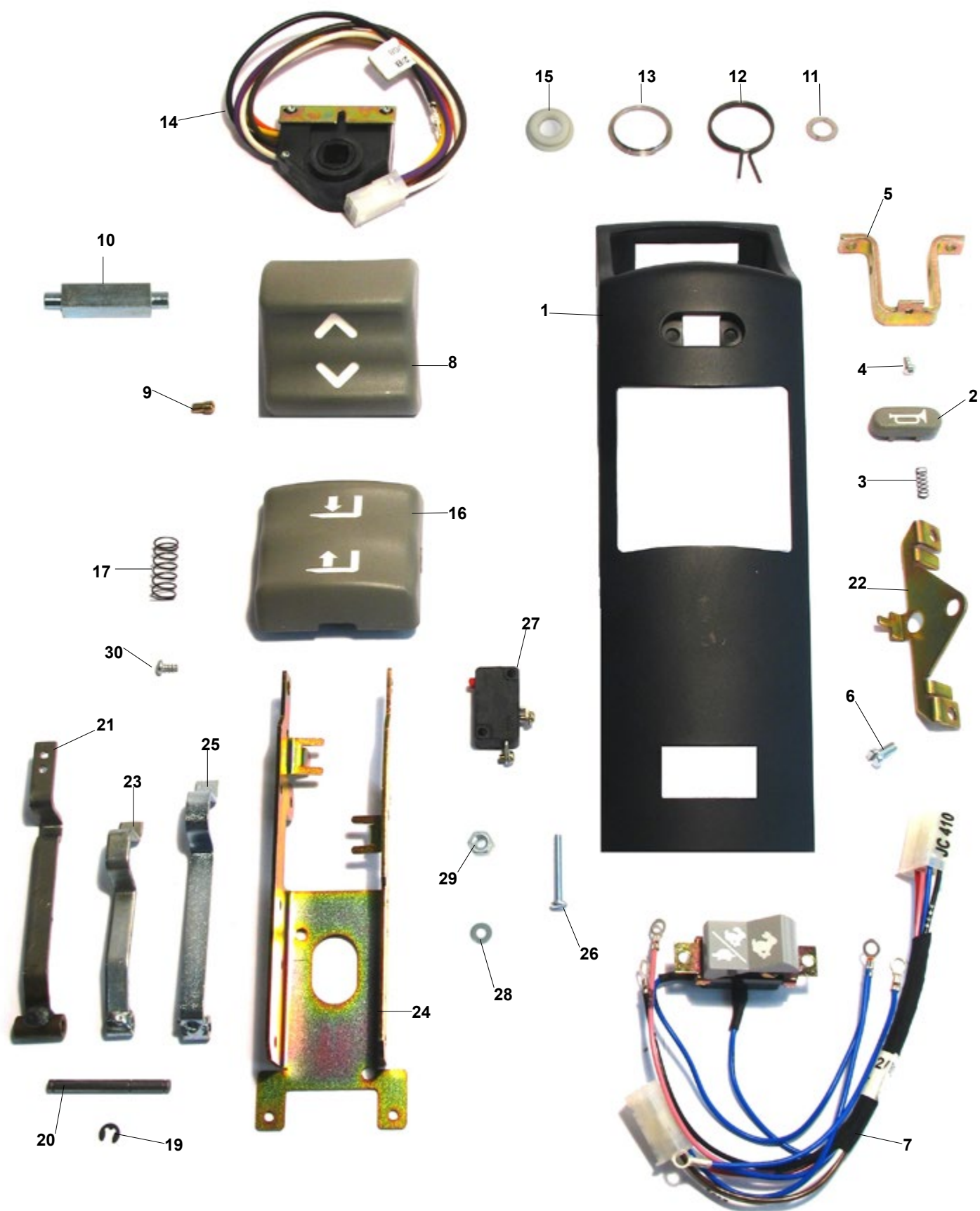


# Control Arm Knuckle

[back to Content page](#)

| Item | Part No.      | Description        |
|------|---------------|--------------------|
| 1    | CR 054011-006 | Lube Fitting       |
| 2    | CR 803013     | Spring             |
| 3    | CR 803353     | Spacer             |
| 4    | CR 805760     | Shaft              |
| 5    | CR 050000-015 | Roll Pin           |
| 6    | CR 045215     | Knuckle            |
| 7    | CR 805859     | Switch             |
|      | CR 803310     | Actuator           |
| 8    | CR 050004-032 | Screw              |
| 9    | CR 050005-061 | Screw              |
| 10   | CR 805738     | Damper Sheet       |
| 11   | CR 050003-010 | Screw              |
| 12   | CR 050005-032 | Screw              |
| 13   | CR 045234     | Cable Protector    |
| 14   | CR 045317     | Seal Metallic      |
| 15   | CR 045319     | Bearing            |
| 16   | CR 045318     | Bearing Outer Race |
| 17   | CR 045222     | Flange             |
| 18   | CR 050052-004 | Pin                |
| 19   | CR 050005-037 | Screw              |

## Control Pod



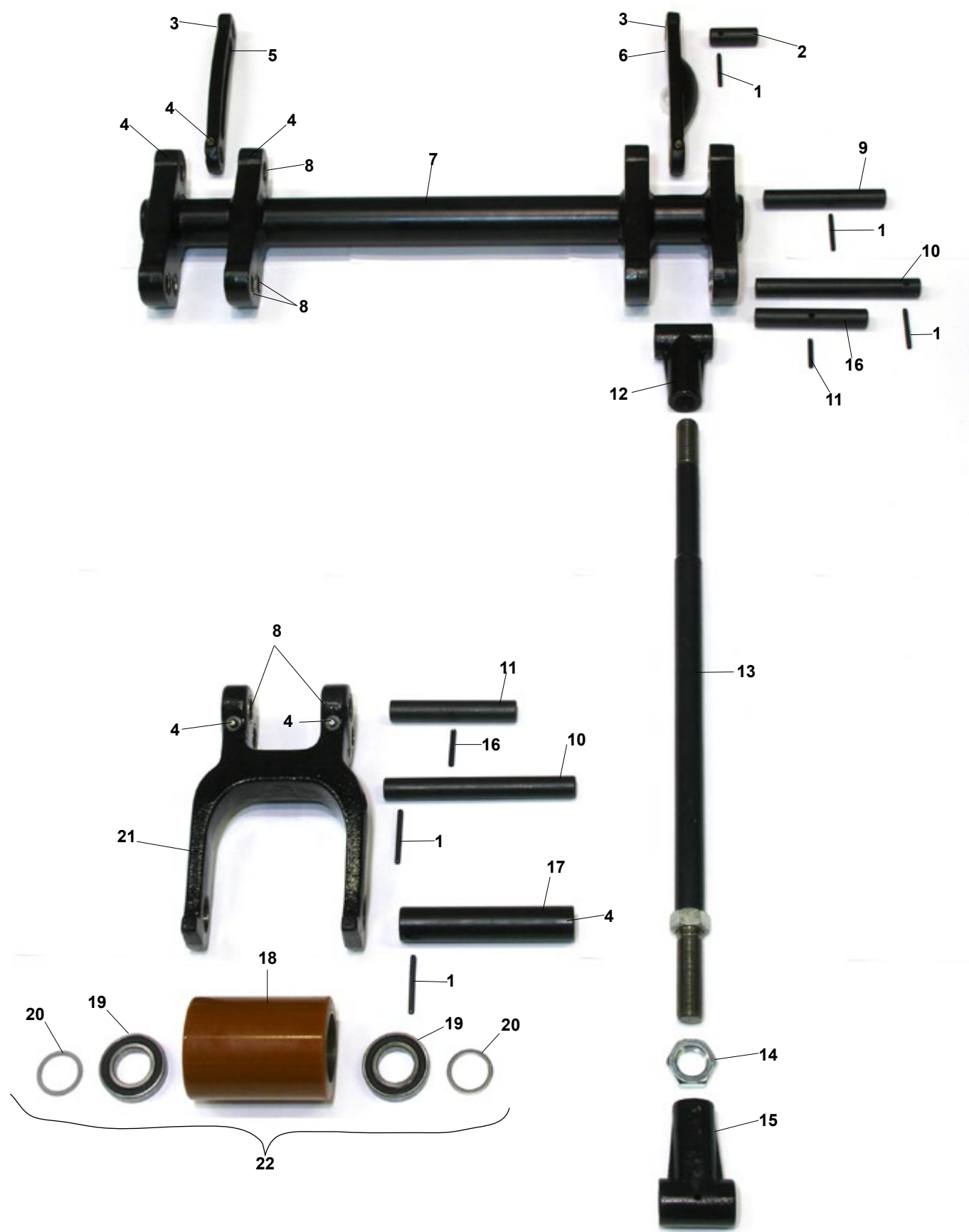
## Control Pod

[back to Content page](#)

| Item | Part No.      | Description                      |
|------|---------------|----------------------------------|
| 1    | CR 807949-001 | Control Pod                      |
| 2    | CR 802855     | Horn Button                      |
| 3    | CR 051057-002 | Spring                           |
| 4    | CR 803469-003 | Screw                            |
| 5    | CR 803347     | Holder                           |
| 6    | CR 050004-024 | Screw                            |
| 7    | CR 805857     | Switch Assembly                  |
| 8    | CR 804357     | Forward/Reverse Button           |
| 9    | CR 803392     | Adjusting Pin                    |
| 10   | CR 117258     | Shaft                            |
| 11   | CR 050009-017 | Washer                           |
| 12   | CR 803393     | Spring                           |
| 13   | CR 803391     | Washer                           |
| 14   | CR 805672     | Potentiometer Assembly           |
| 15   | CR 803390     | Washer                           |
| 16   | CR 802856     | Raise/Lower Button               |
| 17   | CR 051057-003 | Spring                           |
| 18   | CR 803340     | Pin (not shown)                  |
| 19   | CR 050012-031 | Retaining Ring                   |
| 20   | CR 803341     | Pin                              |
| 21   | CR 803337     | Horn Actuator                    |
| 22   | CR 805607     | Console                          |
| 23   | CR 803333     | Upper Actuator                   |
| 24   | CR 805869-001 | Switch Bracket                   |
| 25   | CR 803335     | Lower Actuator                   |
| 26   | CR 050004-032 | Screw                            |
| 27   | CR 089362     | Raise/Lower Switch               |
| 28   | CR 050009-001 | Washer                           |
| 29   | CR 050008-004 | Nut                              |
| 30   | CR 050004-005 | Screw                            |
| 31   | CR 805868-009 | Control Pod Assembly (not shown) |



## Frame and Undercarriage



## Frame and Undercarriage

[back to Content page](#)

| Item | Part No.                          | Description   |
|------|-----------------------------------|---|
| 1    | CR 050000-015                     | Roll Pin  |
| 2    | CR 045433                         | Shaft   |
| 3    | CR 055084-008                     | Bushing   |
| 4    | CR 054011-006                     | Lube Fitting  |
| 5    | CR 805761-002                     | Upper Link Assembly, w/Bushings (R.H.)  |
| 6    | CR 805754-002                     | Upper Link Assembly, w/Bushings (L.H.)  |
| 7    | CR 805773-002-04                  | Lower Link Assembly (27") (Fork Spread)   |
| 8    | CR 055084-009                     | Bushing   |
| 9    | CR 807097                         | Shaft   |
| 10   | CR 045224                         | Axle  |
| 11   | CR 045469                         | Axle  |
| 12   | CR 045292-001                     | Tension Bar End (Left Hand Thread)  |
| 13   | CR 045482-002-06                  | Tension Bar (48" Forks) 7.8" Battery Comp.  |
| 14   | CR 060021-019                     | Nut   |
| 15   | CR 045292-002                     | Tension Bar End (Right Hand Thread)   |
| 16   | CR 050000-017                     | Roll Pin  |
| 17   | CR 045477                         | Axle  |
| 18   | CR 123603                         | Poly Load Wheel (95A)   |
| 19   | CR 065081-62                      | Bearing, Rubber Shield  |
| 20   | CR 060030-173                     | Washer  |
| 21   | CR 805920-002                     | Riser Assembly, includes Items 4 and 8  |
| 22   | CR 123603-A                       | Load Wheel Assembly, includes Items 18, 19 and 20   |
| 23   | GWK-WP2000-LW<br>GWK-WP2000-LW-XL | Load Wheel Kit, includes (2) Wheels Assemblies, (2) Axles and Fasteners<br>Load Wheel Kit, Poly 97A |



## Skid Plate / Casters



[back to Content page](#)

## Skid Plate / Casters

| Item | Part No.      | Description                            |
|------|---------------|--|
| 1    | CR 808262     | Skid Plate                             |
| 2    | CR 050067-043 | Screw, Skid Plate                      |
| 3    | CR 805888-010 | Caster Wheel Assembly, includes Item 4 |
| 4    | CR 805888-012 | Bearing                                |
| 5    | CR 050000-047 | Roll Pin                               |
| 6    | CR 805888-009 | Wheel Axle                             |
| 7    | CR 805888-008 | Pivot Axle                             |
| 8    | CR 805888-001 | Caster Assembly                        |

**800-462-2370**  
[www.SuperStoresService.com](http://www.SuperStoresService.com)

