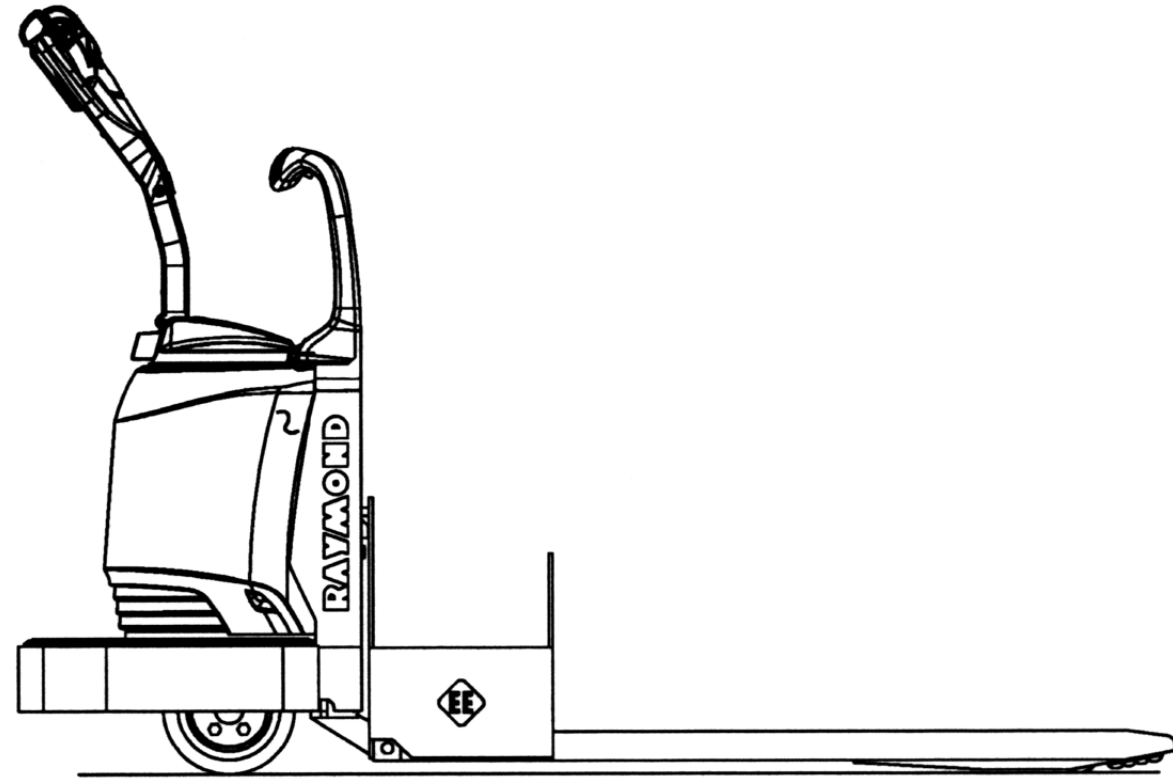


Replacement Parts for Raymond 8300, 8400 and 8500 Series





Contents

Quick Wheel Lookup	4
Electrical System Components Battery Connector, Motor Controllers	6
Drive Unit & Drive Motor	8
Control Handle Arm, Throttle Assembly & Grab Rail	10
Hydraulic System	12
Frame and Undercarriage	14
Caster Assemblies Caster with Springs, Caster without Springs	16

Quick Wheel Lookup

Quick Wheel Lookup

OEM #	Description	Wheel OD in/mm	Tread Width in/mm	Hub Width in/mm	Hub ID in/mm	Bearing ID in/mm	Bearing #	Material/Color
RA 632-069	Load Wheel	3.25 / 82.5	5.50 / 140	5.93 / 150.5	2.04 / 52	0.98 / 25	6205	Poly 95A
RA 632-069-A	Load Wheel Assembly	3.25 / 82.5	5.50 / 140	5.93 / 150.5	2.04 / 52	0.98 / 25	6205	Poly 95A
RA 632-071	Load Roller Tandem	3.25 / 82.5	3.75 / 95	4.20 / 106	2.04 / 52	0.98 / 25	6205	Poly 95A
RA 632-071-A	Load Roller Assembly Tandem	3.25 / 82.5	3.75 / 95	4.20 / 106	2.04 / 52	0.98 / 25	6205	Poly 95A
RA 632-076	Load Roller Split Tandem	3.25 / 82.5	1.75 / 45	2.00 / 51	2.04 / 52	0.98 / 25	6205	Poly 95A
RA 632-076-A	Load Roller Assembly Split Tandem	3.25 / 82.5	1.75 / 45	2.00 / 51	2.04 / 52	0.98 / 25	6205	Poly 95A
RA 671-041-A	3"X 3.5" Caster Wheel Assembly	3.00 / 76	3.25 / 82.5	3.50 / 89	1.85 / 47	0.75 / 19.05	BS6204 3/4	Poly 95A
RA 632-421-A	4" X 2.5" Caster Wheel Assembly	4.00 / 101	2.25 / 57	2.50 / 64	2.04 / 52	0.98 / 25	6205	Poly 95A
RA 632-091	Drive Tire	10.00 / 254	4.00 / 101	5.00 / 127	6.5 / 165	NA	NA	Poly 95A
RA 632-229	Drive Tire	10.00 / 254	4.00 / 101	5.00 / 127	6.5 / 165	NA	NA	Rubber
RA 850-138-111	Hub	/	/	/	/	/	/	/

RA 632-069
Load wheel , Poly, 95A



RA 632-069-A
Load wheel Assembly, Poly, 95A



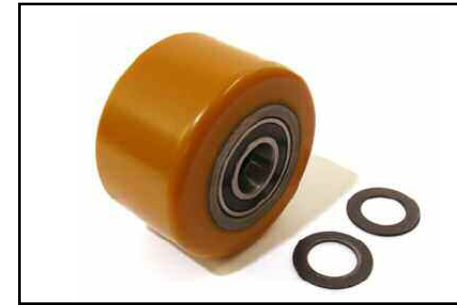
RA 632-071
Load Roller Tandem, Poly, 95A



RA 671-041-A
3"X 3.5" Caster Wheel Assembly, Poly, 95A



RA 632-421-A
4" X 2.5" Caster Wheel Assembly, Poly, 95A



RA 632-091
Drive Tire, Poly, 95A



RA 632-071-A
Load Roller Assembly Tandem, Poly, 95A



RA 632-076
Load Roller Split Tandem, Poly, 95A



RA 632-076-A
Load Roller Assembly Split Tandem, Poly, 95A



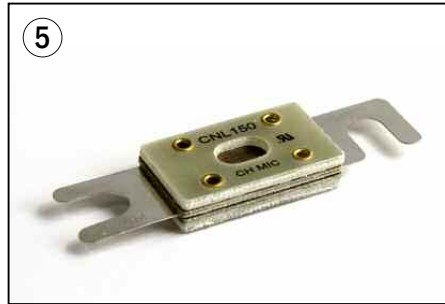
RA 632-229
Drive Tire, Rubber



RA 850-138-111



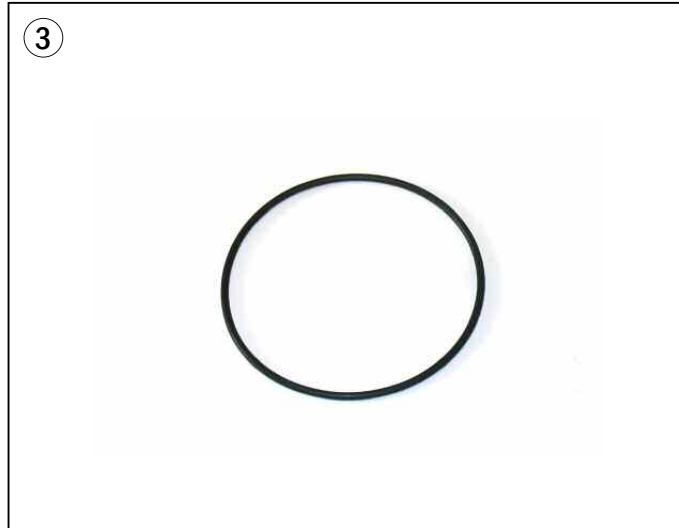
Electrical - Battery Connector, Motor Controllers



Electrical - Battery Connector, Motor Controllers

Item	Part No.	Description
1	RA 1045867-001	Battery Connector, SB175 Gray
2	RA 1045867-002	Battery Connector, SB175 Red
3	RA 590-514	Fuse, 15amp
4	RA 590-587-118	Fuse, 40amp
5	RA 590-587-109	Fuse, 150amp
6	RA 590-587-113	Fuse, 250amp
7	RA 1042226-001	Motor Controller (New OEM)
8	RA 1-030-007	Terminal Strip
9	RA 1-105-224	Main Contactor
10	RA 1-105-224-07	Contact Kit
11	RA 1-105-224-06	Coil and Frame Assembly
10	RA 1031332	Proximity Switch Assembly
11	RA 1042977	Main Harness
12	RA 590-643-004	Horn, 24 volt
13	RA 1-150-392	Ignition Switch 2-Position
14	RA 1-150-391	Ignition Switch 3-Position

Drive Unit & Drive Motor



Drive Unit & Drive Motor

Item	Part No.	Description
1	RA 1036966	Drive Motor - New OEM
	RA 1036966-R	Drive Motor - Rebuilt
	RA 1036966-C	Core charge
2	RA 1036966-83	Bearing Encoder Assembly
3	RA 1034060-85	O-Ring
4	RA 1034060-87	Spring Washer
5	RA 1034060-86	Oil Seal
6	RA 1036966-92	Bearing
7	RA 1036966-93	Snap Ring
8	RA 1036966-73	Terminal Board
9	RA 1036966-71	Rotor

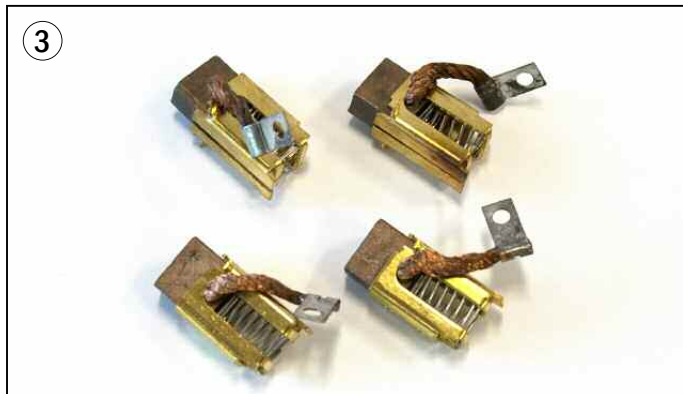
Control Handle - Arm, Throttle Assembly & Grab Rail



Control Handle - Arm, Throttle Assembly & Grab Rail

Item	Part No.	Description
1	RA 850-138-377	Machined Arm
2	RA 1027275-001	Machined Handle
3	RA 1036737	Control Card Assembly
4	RA 1036736	Control Card Display
5	RA 1050952-001	Throttle Assembly
6	RA 1027267-001	Handle Grip, Red/Orange
7	RA 1050950	Torsion Spring
8	RA 1036829	Horn Switch
9	RA 1040569	Grab Rail Assembly
10	RA 1035902-001	Switch Assembly
11	RA 1040323	Grab Rail Harness
12	RA 1050954-001	Control Head Assembly
13	RA 460-014	Bushing
14	RA 850-137-581	Shaft, Pivot
15	RA 830-249	Spring
16	RA 771-225	Washer
17	RA 850-135-901	Bushing
18	RA 811-120	Roll Pin
19	RA 850-138-996	Pivot Shaft
20	RA 5-002-012	Screw
21	RA 5-002-046	Screw
22	RA 7-448-001-047	Cam
23	RA 1028780	Shaft, Brake Lever
24	RA 850-137-325	Brake Adjustment Rod
25	RA 860-730-007	Joint, Swivel
26	RA 810-744	Roll Pin
27	RA 810-728	Roll Pin
28	RA 811-120	Roll Pin

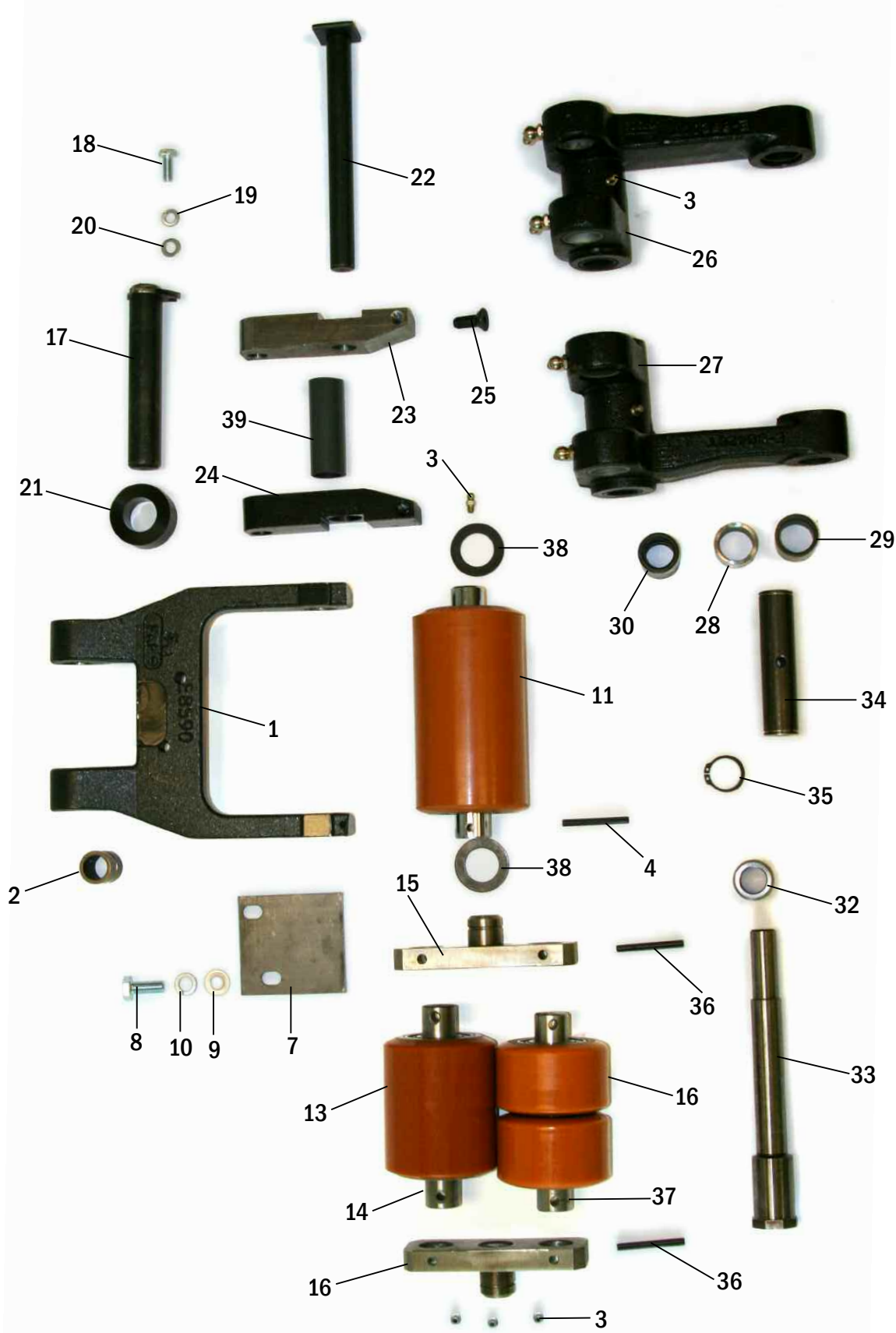
Hydraulic System



Hydraulic System

Item	Part No.	Description
1	RA 1049306	Lift Pump & Motor Assembly
2	RA 560-213-03	Motor Assembly
3	RA 560-213-07	Brush Kit (Holder and Springs)
4	RA 560-213-06	Starter Solenoid Switch
5	RA 442-205	Bearing
6	RA 442-210	Bearing
7	RA 560-206-131	Lift Pump
8	RA 560-206-123	Flow Valve
9	RA 1015666-400	Lift Cylinder (Ultra Metals)
10	RA 1015666-600	Lift Cylinder (Pneu-Hydraulics)
11	RA 1015666-421	Seal Kit (Ultra Metals)
12	RA 1015666-621	Seal Kit (Pneu-Hydraulics)

Frame and Undercarriage

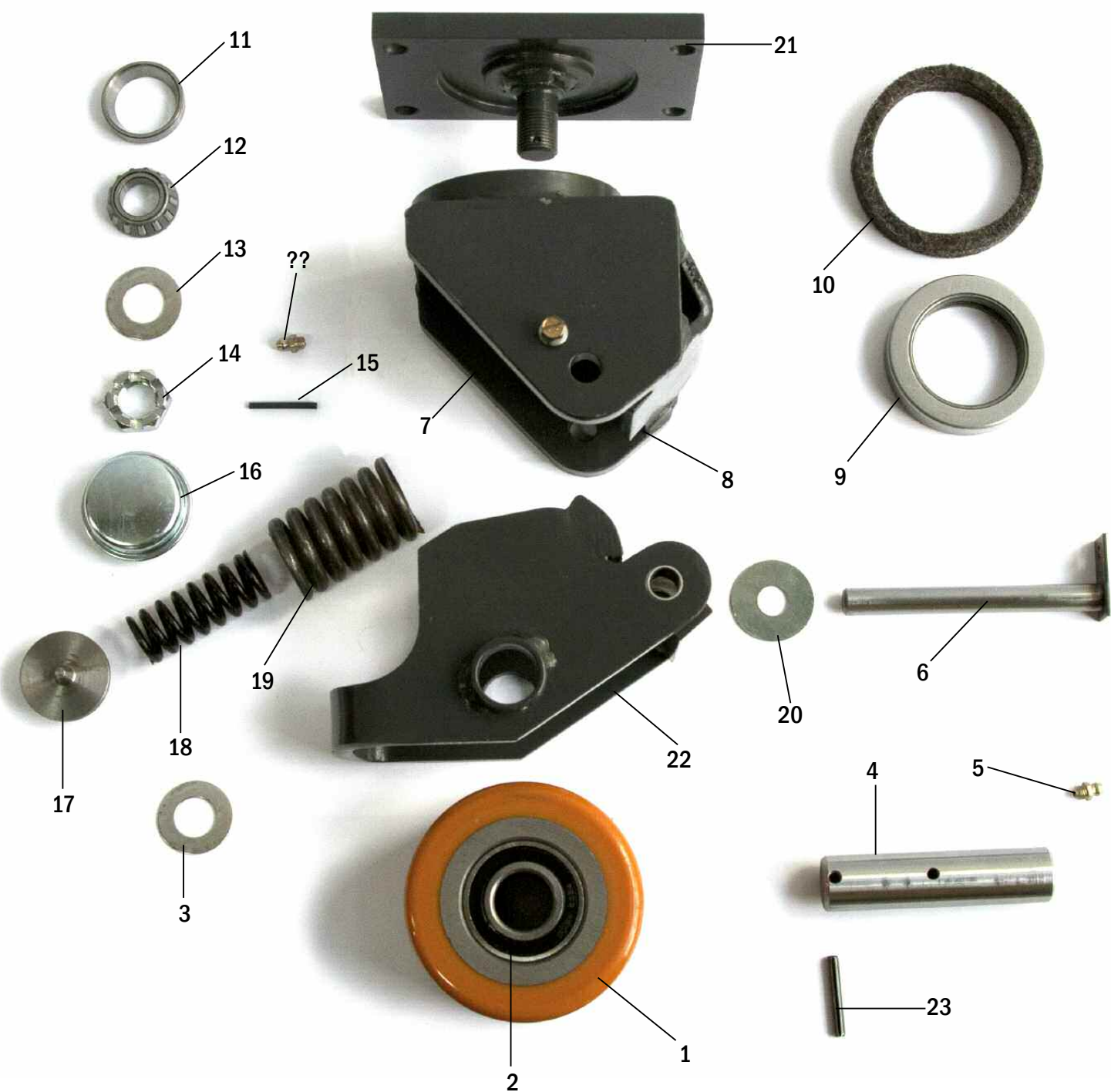


Frame and Undercarriage

Item	Part No.	Description
1	RA 1025351-002 RA 1025353-002	Fork Riser (6000 lbs Cap.) Fork Riser (8000 lbs Cap.)
2	RA 1025348-007 RA 1025349-007	Bushing (6,000 lbs. Cap.) Bushing (8,000 lbs. Cap.)
3	RA 840-033	Grease Fitting
4	RA 810-747	Spiral Pin
5	RA 441-015	Bearing Non-Shielded
6	RA 441-127	Bearing Shielded
7	RA 850-138-802	Debris Guard
8	RA 5-001-016	Screw
9	RA 5-018-007	Flat Washer
10	RA 5-019-007	Lock Washer
11	RA 632-069 RA 632-069-A	Load Wheel, Poly 95A Load Wheel Assembly, Incl. Bearings (Single)
12	RA 850-135-634	Load Wheel Axle (Single)
13	RA 632-071 RA 632-071-A	Load Wheel (Tandem) Load Wheel Assembly, Incl. Bearings (Tandem)
14	RA 850-137-070	Load Wheel Axle (Tand.)
15	RA 1016119	Pivot Weldment Tandem
16	RA 632-076 RA 632-076-A	Load Wheel (Tandem Split) Load Wheel Assembly, Includes Bearings (Tandem Split)
17	RA 1026383	Front Shaft Weldment
18	RA 5-001-008	Screw
19	RA 5-018-006	Flat Washer
20	RA 5-019-006	Lock Washer
21	RA 360-067-004	Roller
22	RA 1026637 RA 1026379	Pivot Shaft (6,000 LBS Cap.) Pivot Shaft (8,000 LBS Cap.)
23	RA 1026378-001 RA 1026378-002	Pivot Block L.H. (6,000 lbs. Cap.) Pivot Block L.H. (8,000 lbs. Cap.)

Item	Part No.	Description
24	RA 1026377-001 RA 1026377-002	Pivot Block R.H. (6,000 lbs. Cap.) Pivot Block R.H. (8,000 lbs. Cap.)
25	RA 714-145	Screw
26	RA 1023731 RA 1023732	Bell Crank Subassembly R.H. (6,000 lbs.Cap) Bell Crank Subassembly R.H. (8,000 lbs.Cap)
27	RA 1023730 RA 1023733	Bell Crank Subassembly L.H. (6,000 lbs.Cap) Bell Crank Subassembly L.H. (8,000 lbs.Cap)
28	RA 780-330-001 RA 780-330-002	Bushing (6,000 lbs. Cap) Bushing (8,000 lbs. Cap)
29	RA 1025349-003 RA 1025349-001	Bushing (6,000 lbs. Cap) Bushing (8,000 lbs. Cap)
30	RA 1025349-006	Bushing (6,000 & 8,000 lbs Cap)
31	RA 840-018	Grease Fitting
32	RA 1044706 RA 850-139-277	Sleeve Eccentric Pin (6,000 lbs.Cap.) Sleeve Eccentric Pin (8,000 lbs.Cap.)
33	RA 1044707 RA 1044708	Eccentric Pin (6,000 lbs. Cap.) Eccentric Pin (8,000 lbs. Cap.)
34	RA 1050893-001 RA 1050893-002	Rear Link Shaft (6,000 lbs. Cap.) Rear Link Shaft (8,000 lbs. Cap.)
35	RA 810-132	Snap Ring
37	RA 810-762	Spiral Pin
38	RA 771-033	Flat Washer
39	RA 1045247-001 RA 1045246-001	Spacer, Tube (6,000 lbs. Cap.) Spacer, Tube (8,000 lbs. Cap.)

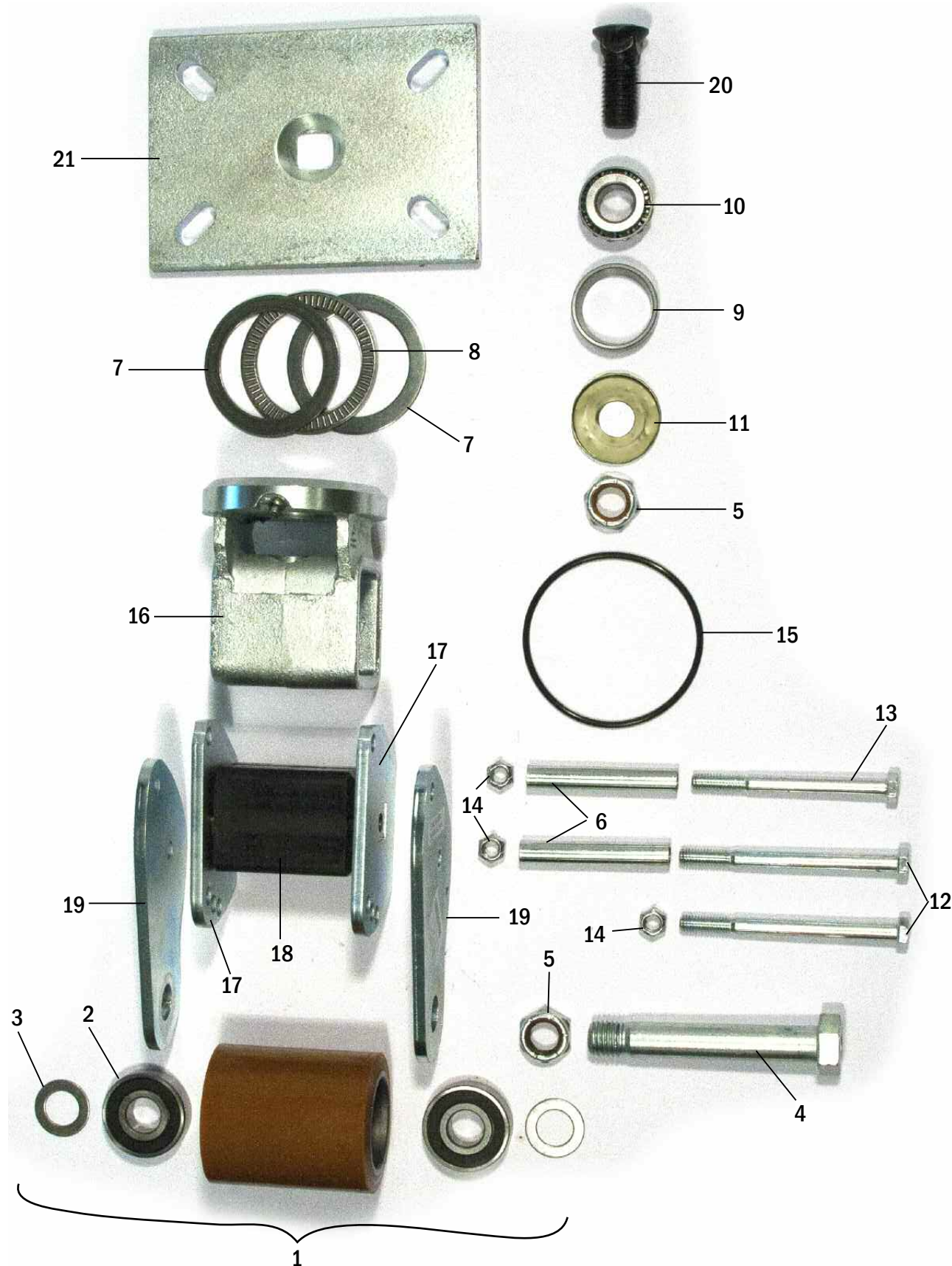
Caster Assemblies - Caster With Springs



Caster Assemblies - Caster With Springs

Item	Part No.	Description
	RA 671-012-001	Caster Assembly with Springs
1	RA 632-421/CR7	Caster Wheel, Inc.Bearings & Washers
2	RA 441-127	Bearing
3	RA 671-015-19	Washer
4	RA 671-015-16	Axle Assembly, Standard
	RA 671-015-17	Axle Assembly, Cold Storage
5	RA 671-012-22	Grease Fitting
6	RA 671-012-17	Hinge Pin, (Standard)
	RA 671-015-15	Hinge Pin, (Cold Storage)
7	RA 671-012-05	Screw & Washer
8	RA 671-012-02	Yoke Weldment
9	RA 671-012-04	Thrust Bearing
10	RA 671-012-03	Felt Seal
11	RA 671-012-07	Bearing Cup
12	RA 671-012-08	Bearing Cone
13	RA 671-015-05	Washer
14	RA 671-015-06	Nut
15	RA 671-015-07	Roll Pin
16	RA 671-015-08	Hub Cap
17	RA 671-015-11	Spring Locator
18	RA 671-012-12	Spring
19	RA 671-012-13	Spring
20	RA 671-012-06	Washer
21	RA 671-015-101	Plate Assy Includes Bearings & Seal
22	RA 671-015-12	Shroud Assembly
23	RA 671-015-18	Roll Pin

Caster Assemblies - Caster Without Springs



Caster Assemblies - Caster Without Springs

Item	Part No.	Description
	RA 1017847	Caster Assembly, Springless
1	RA 671-041	Caster Wheel, Inc. Bearings & Washers
2	RA 671-041-08	Bearing
3	RA 671-041-09	Washer
4	RA 671-041-18	Wheel Axle
5	RA 671-041-16	Axle Nut
6	RA 671-041-06	Axle Tube
7	RA 671-041-10	Thrust Washer
8	RA 671-041-11	Thrust Bearing
9	RA 671-041-13	Bearing Cup
10	RA 671-041-14	Bearing Cone
11	RA 671-041-15	Bearing Shield
12	RA 671-041-19	Bolt
13	RA 671-042-22	Bolt
14	RA 671-041-21	Lock Nut
15	RA 671-041-12	O-Ring
16	RA 101847-01	Housing
17	RA 671-042-04	Adjusting , Plate
18	RA 671-041-03	Torsion Block
19	RA 671-041-05	Mounting Arm
20	RA 671-041-17	King Pin
21	RA 671-041-02	Base Plate



800-462-2370
Fax 800-366-5939
www.SuperStoresService.com