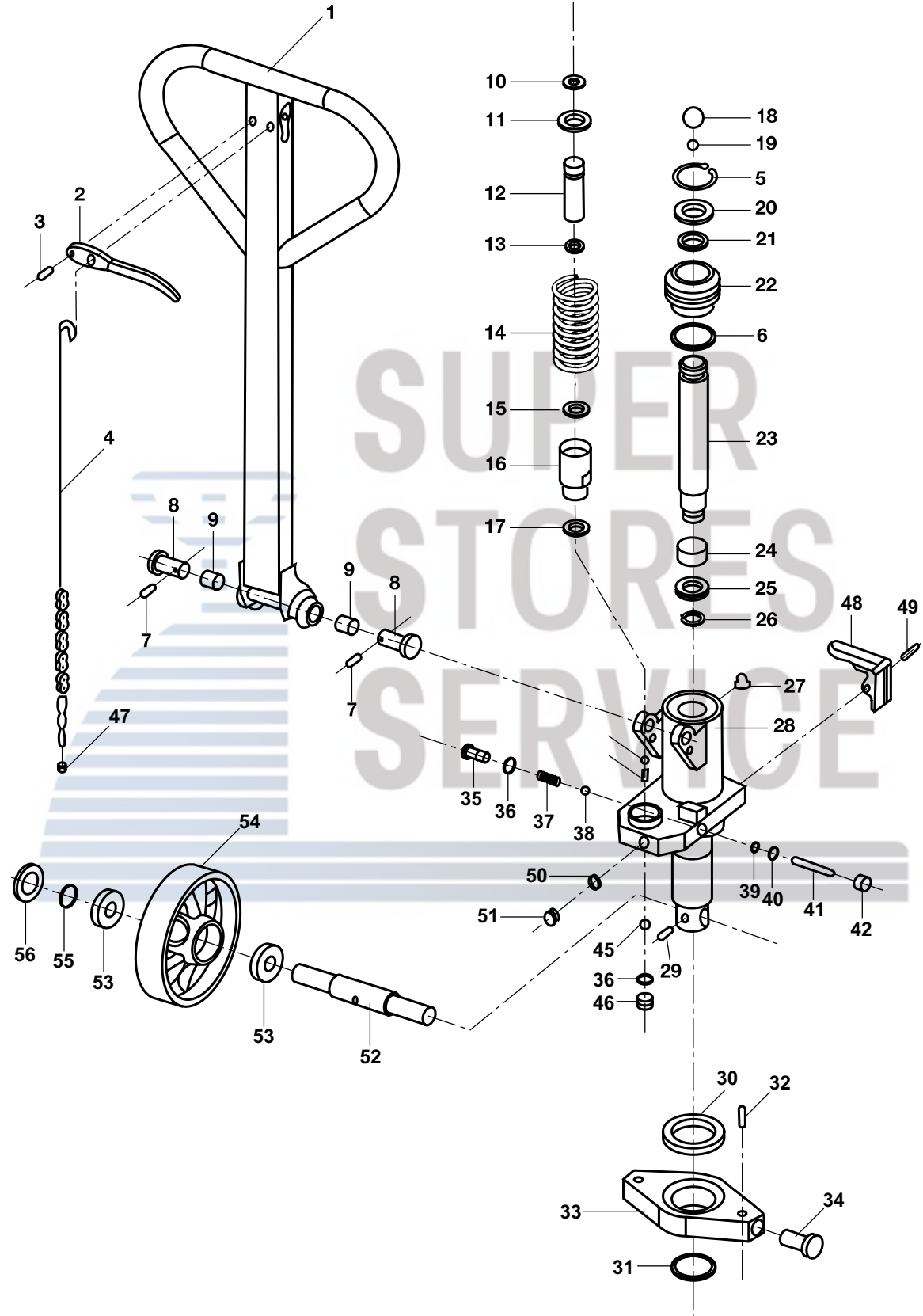


# Blue Giant MT-50 Hydraulic Unit



# Blue Giant MT-50 Hydraulic Unit

Item	Part No.	Description
1	906-5006	Handle Assembly
2	904-0149	Release Lever
3	906-0012	Roll Pin
4	904-0151-NEW	Control Rod, Complete W/ Chain
	904-0151-OLD	Control Rod, Complete W/ Chain (27-1/2" Rod, 35-1/4" Overall )
5	906-0025	Locking Ring
6 A	906-0002	O-Ring
7	906-0039	Roll Pin
8	906-0054	Handle Pin
9	906-0057	Bushing
10	906-0072	Circlip
11	906-0027	Washer
12	906-0065	Pump Piston
13 A	906-0026	U-Cup
14	906-0070	Spring
15 A	906-0006	Oil Scraper
16	906-0059	Pump Cylinder
17 A	906-0007	Copper Washer
18	018-523-99	Ball
19	906-1000	Ball
20 A	906-0005	Oil Scraper
21 A	906-0003	O-Ring
22	906-0058	Top Nut
23	906-0081	Lifting Piston
24	906-0000	Metal Bushing
25 A	906-0051	U-Cup
26	906-0056	Snap Ring
27	906-0037	Oil Plug
28	906-0035	Pump Housing
29	906-0071	Roll Pin
30	906-0089	Thrust Bearing
31	906-0093	Circlip

Item	Part No.	Description
32	906-0049	Roll Pin
33	906-0097	Traverse
34	906-0046	Shoulder Pin
35	906-0062	Collar Screw - Long
36 A	906-0028	Copper Washer
37	906-0036	Valve Spring
38	906-0066	Ball
39 A	906-0011	Quad Ring
40 A	906-0009	U-Cup
41	906-0061	Release Pin
42	906-0060	Valve Screw
43	906-0031	Ball
44	906-0032	Valve Spring
45	906-0067	Ball
46	906-0033	Collar Screw - Short
47	906-0073	Adjusting Nut
48	906-0080	Lowering Valve Arm
49	906-0008	Roll Pin
50 A	906-0030	Copper Washer
51	906-0029	Screw
52	906-0077	Steer Wheel Axle
53	906-0075	Bearing
54	906-0078-A-HD	Steer Wheel Assembly, Red Ultra-Poly On Aluminum Hub W/ Bearings
	906-0078-A-ST	Steer Wheel Assembly, Black Poly On Nylon Hub W/ Bearings
	904-0154	Steer Wheel Assembly, Nylon W/ Bearings
55	906-0019	Snap Ring
56	906-0055	Hub Cap
KITS A	906-0102	Complete Seal Kit
	HU BG MT 50	Rebuilt Hydraulic Unit - Exchange