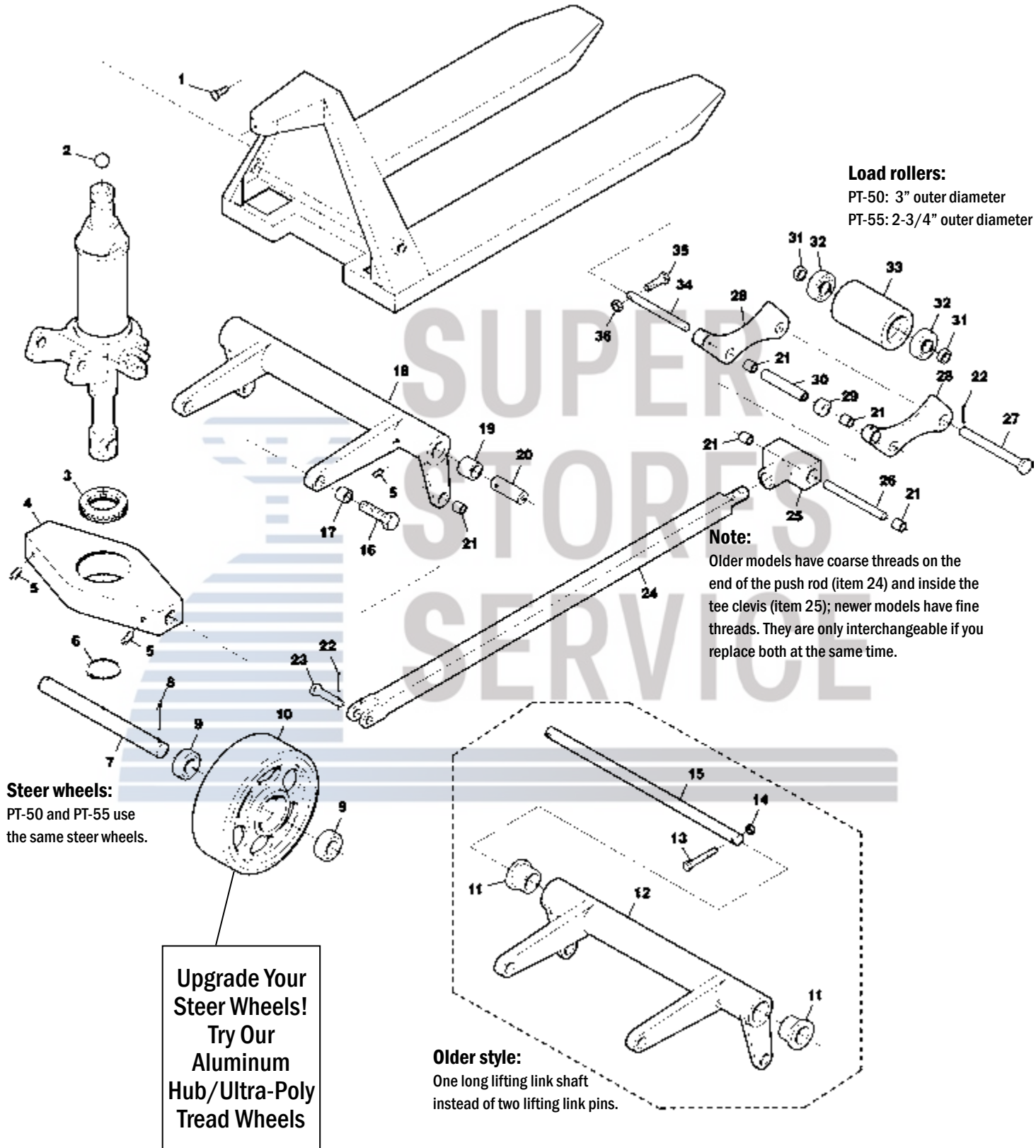


Blue Giant PT-50 and PT-55 Frame



Steer wheels:
PT-50 and PT-55 use the same steer wheels.

Upgrade Your Steer Wheels!
Try Our Aluminum Hub/ Ultra-Poly Tread Wheels

Older style:
One long lifting link shaft instead of two lifting link pins.

Note:
Older models have coarse threads on the end of the push rod (item 24) and inside the tee clevis (item 25); newer models have fine threads. They are only interchangeable if you replace both at the same time.

Blue Giant PT-50 and PT-55 Frame

Item	Part No.	Description
1	010-054	Screw
2	018-523	Ball
3	018-516	Traverse Bearing
4	780-185	Traverse Assembly
5	014-016	Set Screw
6	013-039	Snap Ring
7	107-200	Steer Wheel Axle
8	013-025	Cotter Pin
9	018-557	Bearing
10	020-034-A-HD	Steer Wheel Assembly, Red Ultra-Poly On Aluminum Hub W/ Bearings (PT-50)
	020-034-A-ST	Steer Wheel Assembly, Black Poly On Nylon Hub W/ Bearings (PT-50)
	020-034-N-A	Steer Wheel Assembly, Nylon W/ Bearings (PT-50)
	107-238-A	Steer Wheel Assembly, Steel W/ Bearings (PT-50)
	300-027-A-HD	Steer Wheel Assembly, Red Ultra-Poly On Aluminum Hub W/ Bearings (PT-55)
	300-027-A-ST	Steer Wheel Assembly, Black Poly On Nylon Hub W/ Bearings (PT-55)
	300-027-N-A	Steer Wheel Assembly, Nylon W/ Bearings (PT-55)
	107-238-A	Steer Wheel Assembly, Steel W/ Bearings (PT-55)
11	018-013	Bushing (Flanged)
12	805-842	Lifting Link, 27" Wide Jack
13	010-053	Bolt
14	011-552	Nut
15	104-055	Lifting Link Shaft, 20-1/2" Wide Jack
	104-057	Lifting Link Shaft, 27" Wide Jack
16	010-064	Bolt

Item	Part No.	Description
17	018-007	Bushing
18	811-074	Lifting Link, 27" Wide Jack
19	018-071	Bushing
20	110-046	Lifting Link Pin
21	018-001	Bushing
22	013-010	Roll Pin
23	107-196	Pin
24	789-127	Push Rod, 48" Forks (Fine Thread)
25	790-426	Tee Clevis (Fine Thread)
	796-083	Tee Clevis (Course Thread)
26	106-172	Push Rod Axle
27	106-170	Load Roller Axle
28	805-604	Load Roller Bracket (Pair, Includes Item 21)
29	104-054	Exit Roller
30	108-330	Sleeve
31	106-046	Split Ring
32	018-500	Bearing (OEM Wheel Only)
33	103-297-A-D	Load Roller Assembly, Red Ultra-Poly On Aluminum Hub W/ Bearings, 3" Dia. (PT-50)
	103-297-A	Load Roller Assembly, Black Ultra-Poly On Steel Hub W/ Bearings, 3" Dia. (PT-50)
	103-297-N-A	Load Roller Assembly, Nylon, 3" Dia. (PT-50)
	103-160-A	Load Roller Assembly, Steel, 3" Dia. (PT-50)
	300-034-A	Load Roller Assembly, Black Ultra-Poly On Steel Hub W/ Bearings, 2-3/4" Diameter (PT-55)
34	106-169	Pivot Axle
35	010-087	Screw
36	011-545	Adjusting Nut