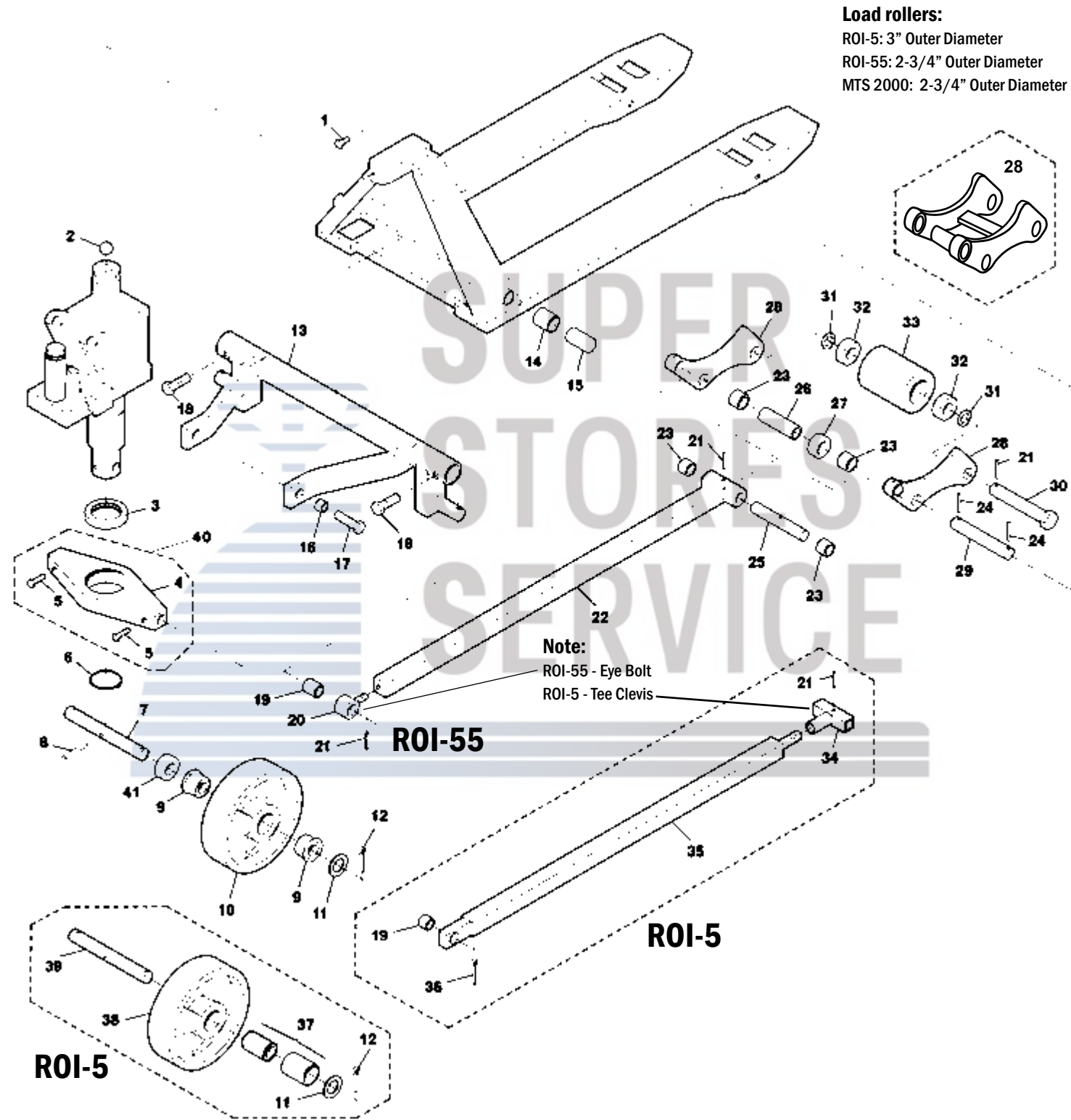


Blue Giant ROI-5, ROI-55 and MTS 2000 Frame



Blue Giant ROI-5, ROI-55 and MTS 2000 Frame

Item	Part No.	Description
1	010-054	Screw
2	018-523	Ball
3	018-516	Traverse Bearing
4	780-185	Traverse, see #40
5	014-016	Set Screw
6	013-039	Snap Ring
7	107-200	Steer Wheel Axle
8	013-090	Roll Pin
9	018-587	Bearing (Flanged), 1" ID
10	300-027-A-HD	Steer Wheel Assembly, Red Ultra-Poly On Aluminum Hub W/ Bearings (ROI-55)
	300-027-A-ST	Steer Wheel Assembly, Black Poly On Nylon Hub W/ Bearings (ROI-55)
	300-027-N-A	Steer Wheel Assembly, Nylon W/ Bearings (ROI-55)
	300-040-A-HD	Steer Wheel Assembly, Red Ultra-Poly On Aluminum Hub W/ Bearings (MTS 2000)
	300-040-A-ST	Steer Wheel Assembly, Black Poly On Nylon Hub W/ Bearings (MTS 2000)
	300-040-N-A	Steer Wheel Assembly, Nylon W/Bearings (MTS 2000)
11	111-141	Washer
12	013-025	Cotter Pin
13	782-319	Lifting Link, 27" Wide Jack (ROI-55)
	790-493	Lifting Link, 27" Wide Jack (ROI-5)
	782-320	Lifting Link, 20-1/2" Wide Jack (MTS 2000)
	782-319	Lifting Link, 27" Wide Jack (MTS 2000)
14	018-071	Bushing
15	110-046	Lifting Link Pin
16	018-007	Bushing - ROI-55
	018-001	Bushing - ROI-5
17	010-064	Bolt
18	014-016	Set Screw
	010-095	Screw

Item	Part No.	Description
19	018-001	Bushing
20	782-321	Eye Bolt
21	013-010	Roll Pin
22	782-548	Push Rod, 48" Forks
23	018-001	Bushing
24	013-066	Roll Pin
25	106-172	Push Rod Axle
26	108-330	Sleeve
27	104-054	Exit Roller
28	805-604	Load Roller Bracket (Pair) Includes Item 23 (ROI-5)
	300-773	Load Roller Bracket, 1 Piece, Includes Item 23
29	300-019	Pivot Axle
30	106-170	Load Roller Axle
31	106-046	Split Ring
32	018-500	Bearing (OEM Wheel Only)
33	300-000-A-D	Load Roller Assembly, Red Ultra-Poly On Aluminum Hub W/ Bearings, 3" Diameter (ROI-5)
	300-000-A	Load Roller Assembly, Black Ultra-Poly On Steel Hub W/ Bearings, 3" Diameter (ROI-5)
	300-000-N-A	Load Roller Assembly, Nylon W/ Bearings, 3" Diameter (ROI-5)
	300-034-A	Load Roller Assembly, Black Ultra-Poly On Steel Hub W/ Bearings, 2-3/4" Diameter (ROI-55)
34	790-426	Tee Clevis (Fine Thread)
35	789-195	Push Rod, 48" Forks, Replace with items 20 and 22
36	013-025	Cotter Pin
37	111-077	Roller Bearing and Sleeve
38	111-078-N-A	Steer Wheel Assembly, Nylon
39	107-200	Steer Wheel Axle
40	780-185	Traverse Assembly, replaces #4
41	012-289	Spacer (MTS 2000)