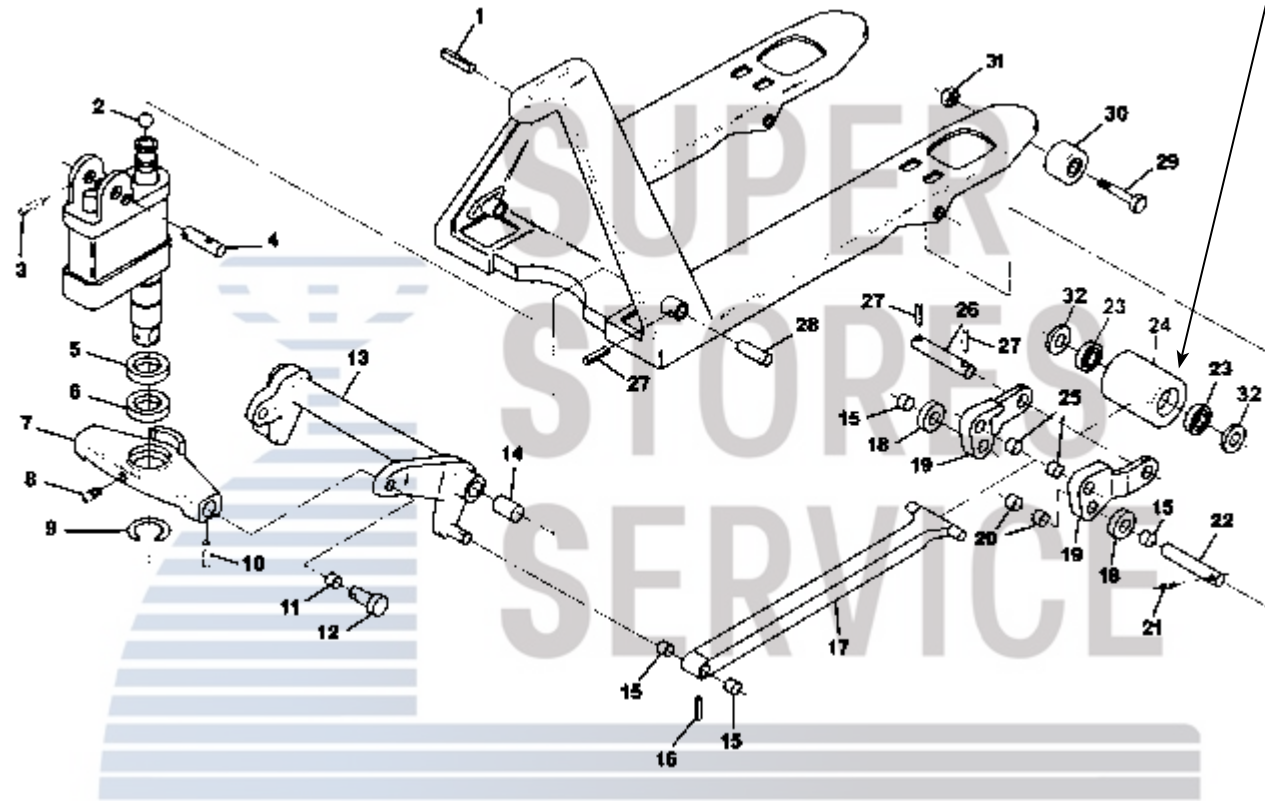


Crown PTH50 Frame

Serial #7-000000 to Serial #7-512501

Upgraded Load Rollers Available!

Ultra-Poly is a poly that is very hard, but won't shatter like nylon. Ultra-Poly is easier to roll than regular poly and is non-marking!



Key differences:

Push rods -

PTH has ears, PTH50 has no ears.

Lifting link -

PTH pins (item 20 on page 54) are removable, PTH50 pins are welded.

Load rollers -

PTH - 3-1/4" diameter, PTH50 - 3" diameter.

Traverse -

PTH has long ears, PTH50 has a lip and short, heavy-duty ears.

Crown Roll Pin Kit

Contains enough roll pins to repair one Crown PTH50

Crown PTH50 Frame

Serial #7-000000 to Serial #7-512501

| Item | Part No. | Description |
|------|-----------|---|
| 1 | 50000-014 | Roll Pin |
| 2 | 55001-010 | Ball |
| 3 | 50000-015 | Roll Pin |
| 4 | 44519 | Handle Axle |
| 5 | 44468 | Washer |
| 6 | 55018-001 | Traverse Bearing |
| 7 | 44466 | Traverse |
| 8 | 54011-001 | Lube Fitting |
| 9 | 50012-024 | Snap Ring |
| 10 | 50000-010 | Roll Pin |
| 11 | 41201 | Bushing |
| 12 | 44467 | Pin |
| 13 | 44472 | Lifting Link, 20" Wide Jack |
| | 44473 | Lifting Link, 27" Wide Jack |
| 14 | 55084-002 | Bushing |
| 15 | 42053-011 | Bushing |
| 16 | 50000-016 | Roll Pin |
| 17 | 44488-002 | Push Rod, 36" Forks |
| | 44488-004 | Push Rod, 42" Forks |
| | 44488-006 | Push Rod, 48" Forks (Includes Item 15) |
| 18 | 44777 | Exit Roller |
| 19 | 44501 | Load Roller Bracket (Pair) (Includes Items 20 & 25) |

| Item | Part No. | Description |
|------|--------------|--|
| 20 | 42053-012 | Bushing |
| 21 | 50000-011 | Roll Pin |
| 22 | 44464 | Pivot Axle |
| 23 | 65081-020 | Bearing |
| 24 | 44506-001-D | Load Roller Assembly, Red Ultra-Poly On Aluminum Hub W/ Bearings |
| | 44506-001 | Load Roller Assembly, Black Ultra-Poly On Steel Hub W/ Bearings |
| | 44506-002 | Load Roller Assembly, Nylon W/ Bearings |
| | 44506-003 | Load Roller Assembly, Steel W/ Bearings |
| | GWK-PTH50-LW | Load Wheel Kit, (2) Black Ultra-Poly (70D), Load Roller Assemblies, W/ Bearings, Axles & Fasteners |
| 25 | 41139 | Bushing |
| 26 | 44509 | Load Roller Axle |
| 27 | 50000-017 | Roll Pin |
| 28 | 44463 | Lifting Link Pin |
| 29 | 50007-023 | Bolt |
| 30 | 44461 | Entry Roller |
| 31 | 50008-025 | Nut |
| 32 | 44516 | Washer |
| KITS | RPK50 | Roll Pin Kit |

Load Wheel Kit

