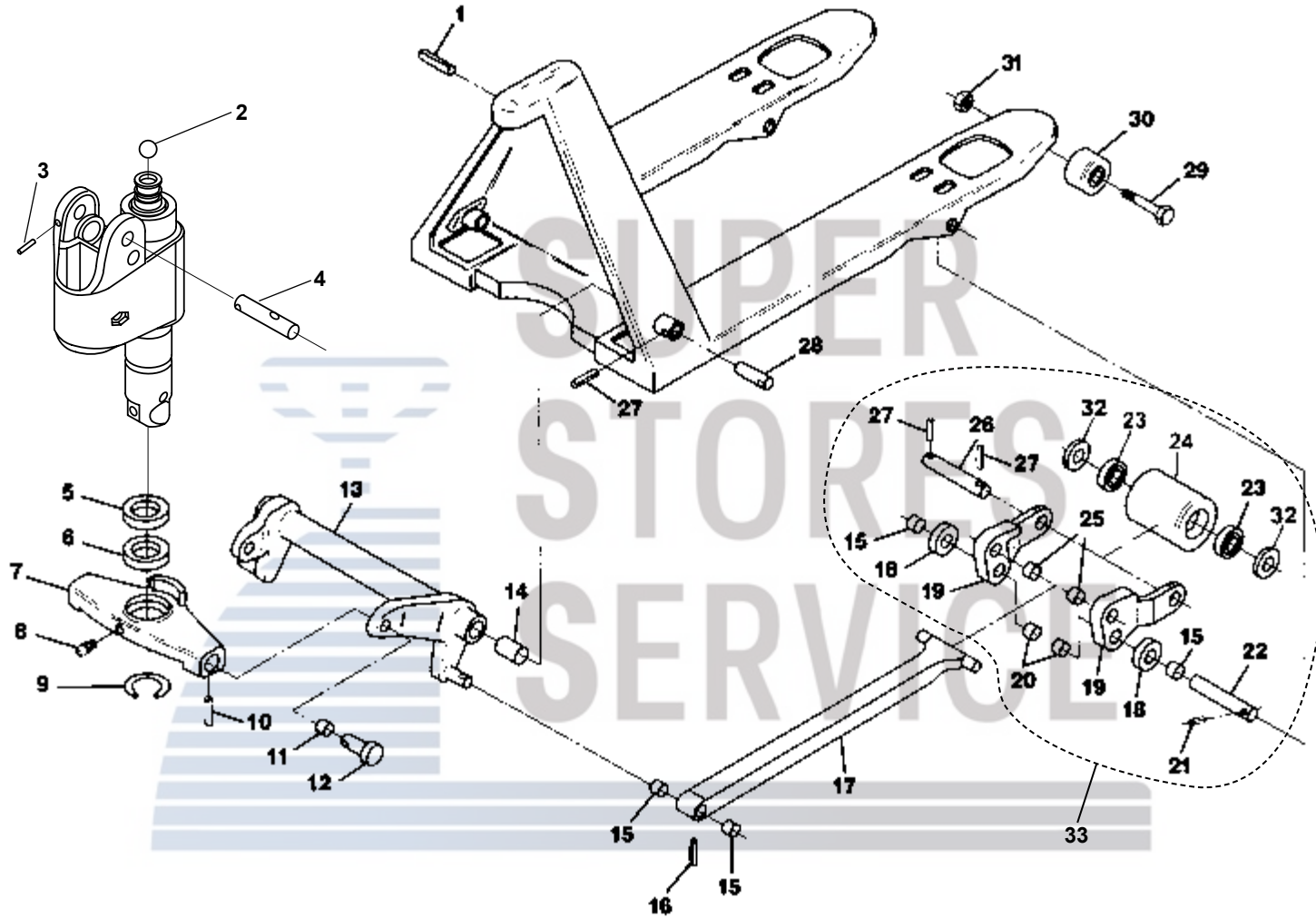


# Crown Newer PTH50 Frame

Serial #7-512501 and Higher



# Crown Newer PTH50 Frame

Serial #7-512501 and Higher

Item	Part No.	Description
1	50000-014	Roll Pin
2	55001-010	Ball
3	50000-015	Roll Pin
4	816817	Handle Axle
5	44468	Washer
6	55018-001	Traverse Bearing
7	45671	Traverse
8	54011-001	Lube Fitting
9	50012-024	Snap Ring
10	50000-010	Roll Pin
11	41201	Bushing
12	44467	Pin
13	819177	Lifting Link, 27" Wide Jack
14	55084-002	Bushing
15	42053-011	Bushing
16	50000-016	Roll Pin
17	44488-006	Push Rod, 48" Forks
18	44777	Exit Roller
19	44501	Load Roller Bracket (Pair)
20	42053-012	Bushing
21	50000-010	Roll Pin

Item	Part No.	Description
22	45670	Pivot Axle
23	55002-004	Bearing
24	44506-001-D	Load Roller Assembly, Red Ultra-Poly On Aluminum Hub W/ Bearings
	44506-001	Load Roller Assembly, Black Ultra-Poly On Steel Hub W/ Bearings
	44506-002	Load Roller Assembly, Nylon W/ Bearings
	44506-003	Load Roller Assembly, Steel W/ Bearings
	GWK-PTH50-LW	Load Wheel Kit, (2) Black Ultra-Poly (70D), Load Roller Assemblies, W/ Bearings, Axles & Fasteners
25	41139	Bushing
26	45676	Axle
27	50000-017	Roll Pin
28	45669	Lift Link Pin
29	50007-023	Bolt
30	44461	Entry Roller
31	50008-049	Nut
32	44516	Washer
33	44500-001	Load Wheel & Bracket Assembly (Includes Items 15, 18 - 27)

Load Wheel Kit

