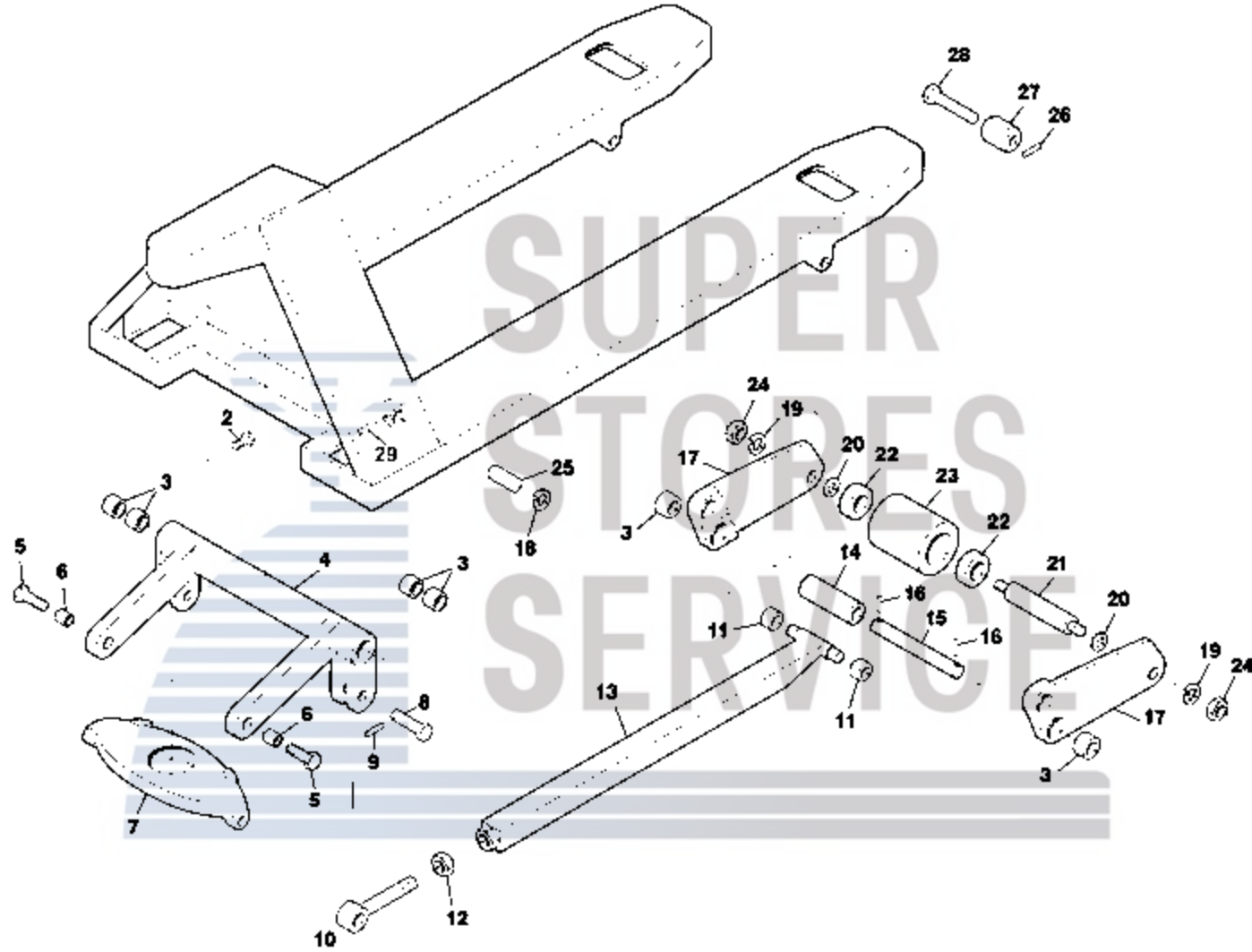


Eagleman A Frame



Eagleman A Frame

Item	Part No.	Description
2	A102	Lock Bolt
3	A103	Bushing
4	A104	Torsion Tube
5	A105	Shoulder Bolt
6	A106	Bushing
7	A107	Traverse
8	A108-New	Pin
9	A109-New	Cotter Pin
10	A110	Eye Bolt with Bushing
11	A111	Bushing
12	A112	Lock Nut
13	A113	Push Rod, 48" Forks
14	A114	Exit Roller
15	A115	Pivot Axle
16	A116	Roll Pin
17	A117	L/R Bracket (Pair, Includes Bushing)
18	A118	Snap Ring
19	A119	Lock Washer

Item	Part No.	Description
20	A120	Washer
21	A121	Load Shaft
22	A122	Bearing
23	A123-B	Load Roller Assembly, Red Ultra Poly On Aluminum Hub W/ Bearings, 3" Diameter
	A123-A	Load Roller Assembly, Black Ultra Poly On Steel Hub W/ Bearings, 3" Diameter
	A123-C	Load Roller Assembly, Nylon W/ Bearings, 3" Diameter
	A123-D	Load Roller Assembly, Steel W/ Bearings, 3" Diameter
24	A124	Lock Nut
25	A125	Pin
26	A126	Cotter Pin
27	A127	Entry Roller
28	A128	Entry Roller Shaft
29	A190	Roll Pin