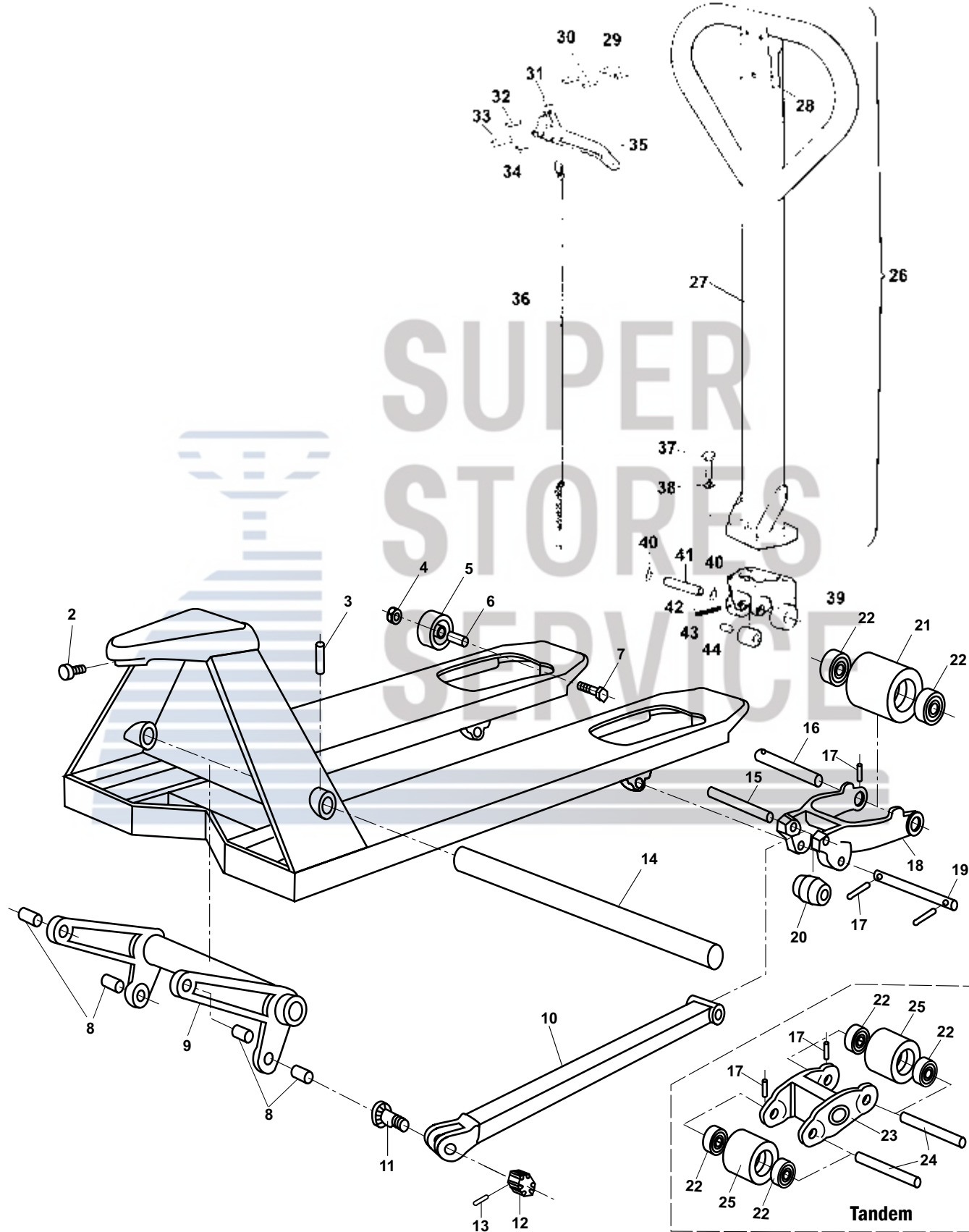


Hu-Lift HP25L Frame



Hu-Lift HP25L Frame

Item	Part No.	Description
2	F103	Hex Socket Screw
3	F104	Roll Pin
4	F106	Nut
5	F108	Entry Roller
6	F109	Sleeve
7	F111	Bolt
8	F102	Bushing
9	F101	Lifting Link Assembly, 27" Wide Jack
10	F125	Push Rod, 48" Fork
11	F126	Eccentric Pin
12	F123	Nut
13	F124	Split Pin
14	F105	Lifting Link Shaft, 27" Wide Jack
15	F122	Push Rod Axle
16	F121	Load Wheel Axle
17	F112	Roll Pin
18	F120	Load Roller Bracket (Single)
19	F118	Axle
20	F119	Exit Roller
21	F117B-A	Load Roller Assembly, Black Ultra-Poly On Steel Hub W/ Bearings,
	F117A-A	Load Roller Assembly, Nylon W/ Bearings
22	F115	Bearing
23	F113	Load Roller Bracket (Tandem)

Item	Part No.	Description
24	F114	Load Roller Axle (Tandem)
25	F116B-A	Load Roller Assembly (Tandem), Black Ultra-Poly On Steel Hub W/ Bearings
26	H101-A	Handle Assembly (Includes Items 27 through 36)
27	H101	Handle (See Item 26)
28	H108	Rubber Cushion
29	H103	Handle Spring
30	H104	Roll Pin
31	H111	Nylon Roller
32	H105	Roll Pin
33	H102	Roll Pin
34	H112	Roll Pin
35	H106	Control Lever
36	H107	Rod and Chain
37	H109	Handle Bolt
38	H110	Lock Washer
39	103	Handle Bracket
	103-A	Bracket Assembly (Includes Items 39-41, 43, 44)
40	108	Snap Ring
41	107	Shaft
42	106	Roll Pin
43	105	Bushing
44	104	Steel Roller