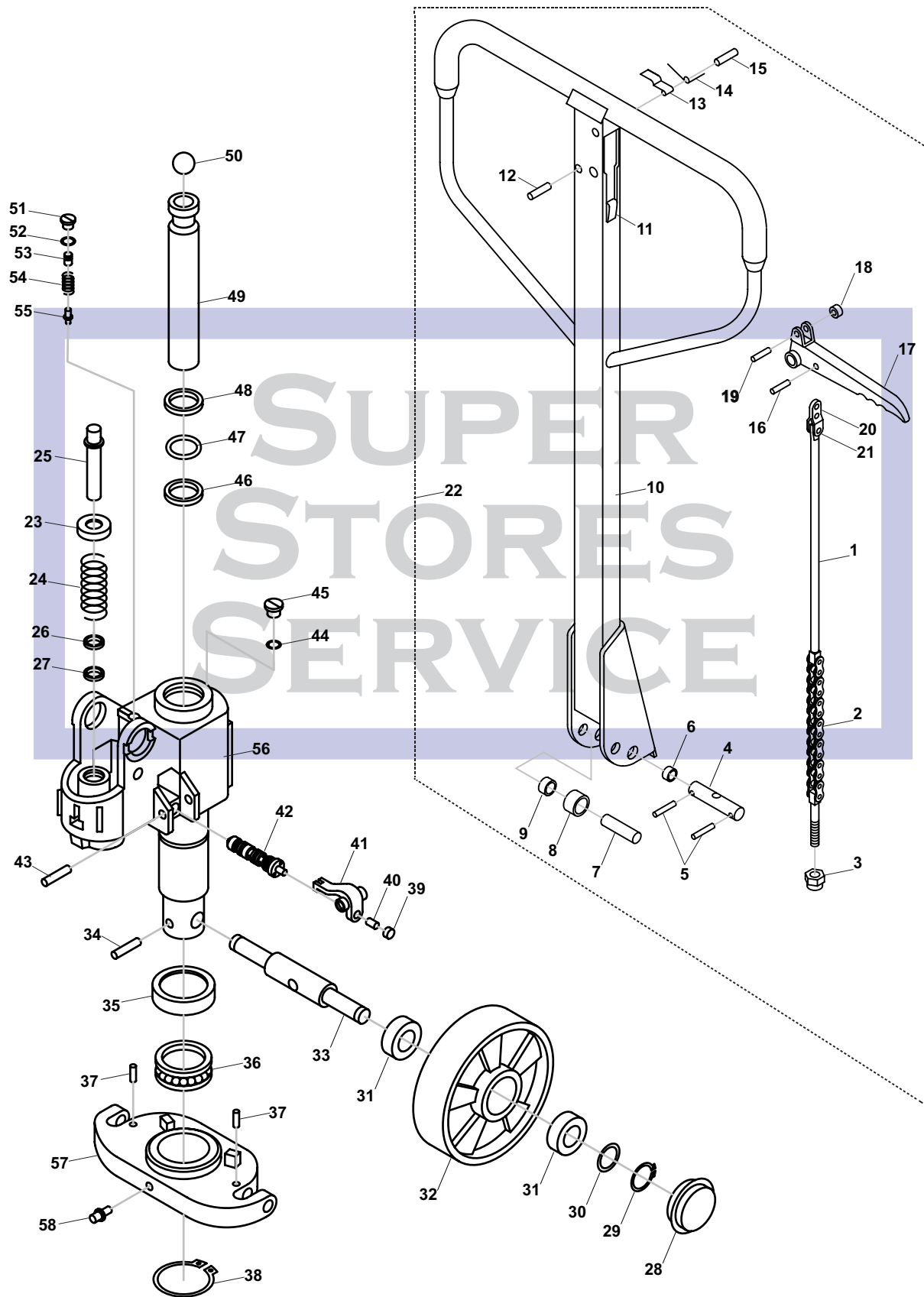


# Mighty Lift ML55-II & ML55L Hydraulic Unit



# Mighty Lift ML55-II & ML55L Hydraulic Unit

Item	Part No.	Description
1	A101	Release Rod
2	A102	Chain & Bolt
3	A104	Adjusting Nut
4	A105	Handle Axle
5	A106	Roll Pin
6	A107	Bushing
7	A108	Roller Pin
8	A109	Pressure Roller
9	A109A	Bushing
10	A110	Handle Frame
11	A111	Rubber Handle Stop
12	A112	Roll Pin
13	A113	Blade Spring
14	A114	Spring
15	A115	Roll Pin
16	A116	Roll Pin
17	A117	Control Handle
18	A118	Roller
19	A119	Roll Pin
20	A121	Pivot Hinge
21	A122	Pin
22	B001	Handle Assembly (Includes Items 1-3 & 6-21)
23	A301	Spring Cap
24	A302	Spring
25	A303	Pump Piston
26	A A304	Dust Ring
27	A A305	U-Cup
28	A306	Dust Cover
29	A307	Locking Ring
30	A308	Washer
31	B009	Bearing
32	B008	Steer Wheel Assembly, Black Poly on Nylon Hub, W/ Bearings
	B008-D	Steer Wheel Assembly, Red Ultra-Poly on Aluminum Hub, W/ Bearings
	B008-S	Steer Wheel Assembly, Steel, W/ Bearings
	B008-N	Steer Wheel Assembly, Nylon, W/ Bearings
	GWK-BFII-CK	Complete Wheel Kit, (2) Ultra-Poly Load Roller Assemblies (70D), (2) Poly Steer Wheel Assemblies, W/ Bearings, Axles & Fasteners

Item	Part No.	Description
33	A316	Steer Wheel Axle
34	A311	Roll Pin
35	A337	Bearing Cover
36	A315	Thrust Bearing
37	A312	Roll Pin
38	A314	Snap Ring
39	A317	Nut
40	A318	Screw
41	A319	Lever Plate
42	A321	Valve Cartridge
43	A320	Roll Pin
44	A A323	Seal Washer
45	A324	Screw Plug
46	A A325	U-Cup
47	A A326	O-Ring
48	A A327	Wiper
49	A328	Piston Rod
50	A329	Ball
51	A330	Screw Plug
52	A A331	O-Ring
53	A332	Adjustment Screw
54	A333	Spring
55	A334	Overload Valve Spindle
56	AP100	Hydraulic Unit
57	A313	Traverse Plate
58	A335	Lube Fitting
Kits A	AK100	Seal Kit

## Complete Wheel Kit

