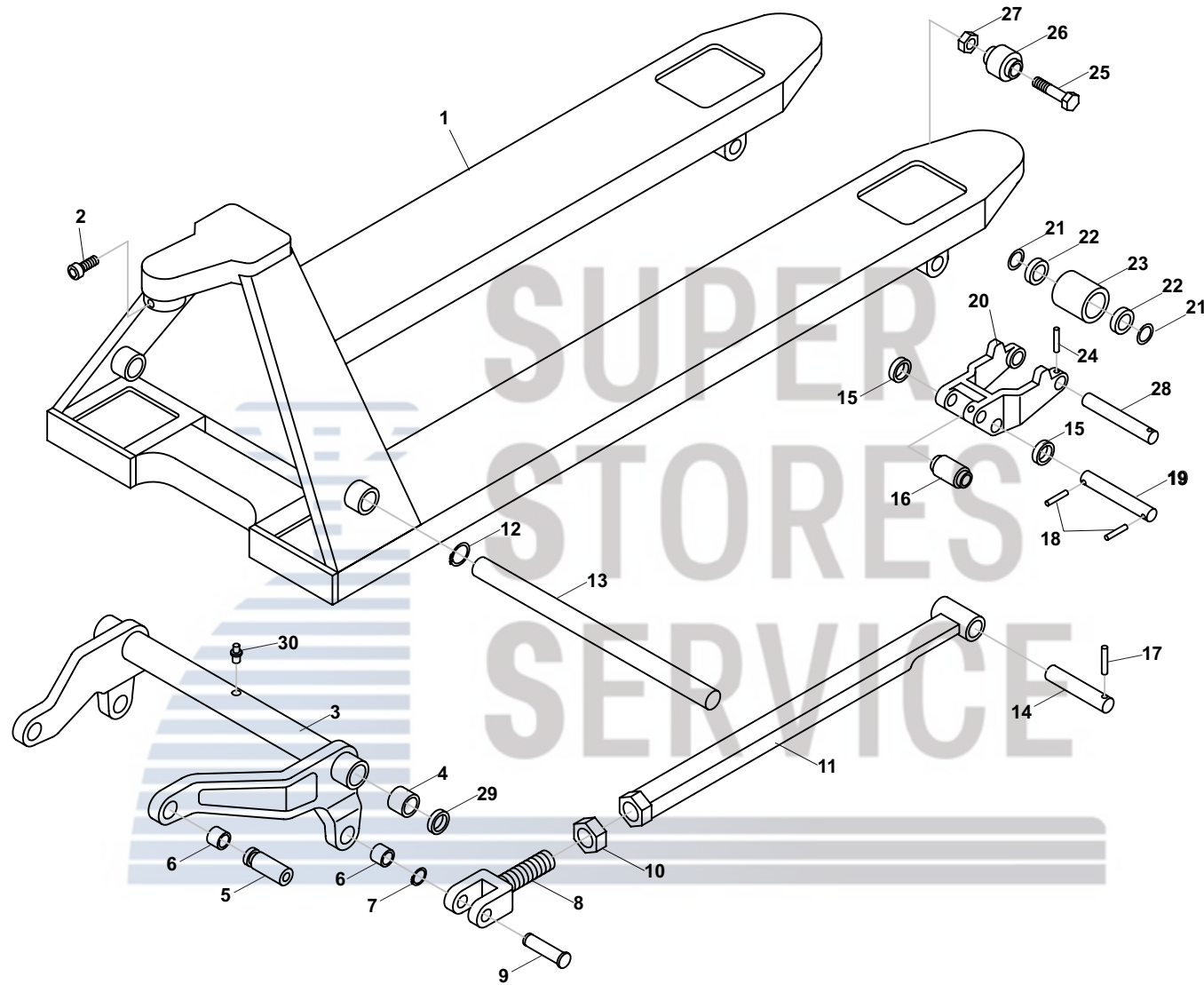


# Mighty Lift ML55-II & ML55L Frame



# Mighty Lift ML55-II & ML55L Frame

Item	Part No.	Description
1	A201	Frame
2	A202	Bolt
3	A203	Lifting Link, 27" Wide Jack
4	A204	Bushing
5	A205	Shoulder Pin
6	A206	Bushing
7	A208	Snap Ring
8	A209	Joint
9	A210	Pin
10	A211	Nut
11	A212	Push Rod, 48" Forks
12	A213	Snap Ring
13	A214	Shaft
14	A216	Pivot Axle
15	A217	Exit Roller
16	A218	Exit Roller
17	A219	Roll Pin
18	A220	Roll Pin
19	A221	Pivot Axle

Item	Part No.	Description
20	A222	Load Roller Bracket
21	A225	Washer
22	B009	Bearing
23	B35-D	Load Wheel Assembly, Red Ultra-Poly on Aluminum Hub W/ Bearings
	B35	Load Wheel Assembly, Black Ultra-Poly on Steel Hub W/ Bearings
	B35-S	Load Wheel Assembly, Steel W/ Bearings
	B35-N	Load Wheel Assembly, Nylon W/ Bearings
	GWK-BFII-LW	Load Wheel Kit, (2) Black Ultra-Poly (70D), Load Roller Assemblies, W/ Bearings, Axles & Fasteners
24	A230	Roll Pin
25	A231	Bolt
26	A232	Entry Roller
27	A233	Locking Nut
28	A235	Load Wheel Axle
29	A236	Washer
30	A237	Lube Fitting

### Load Wheel Kit

