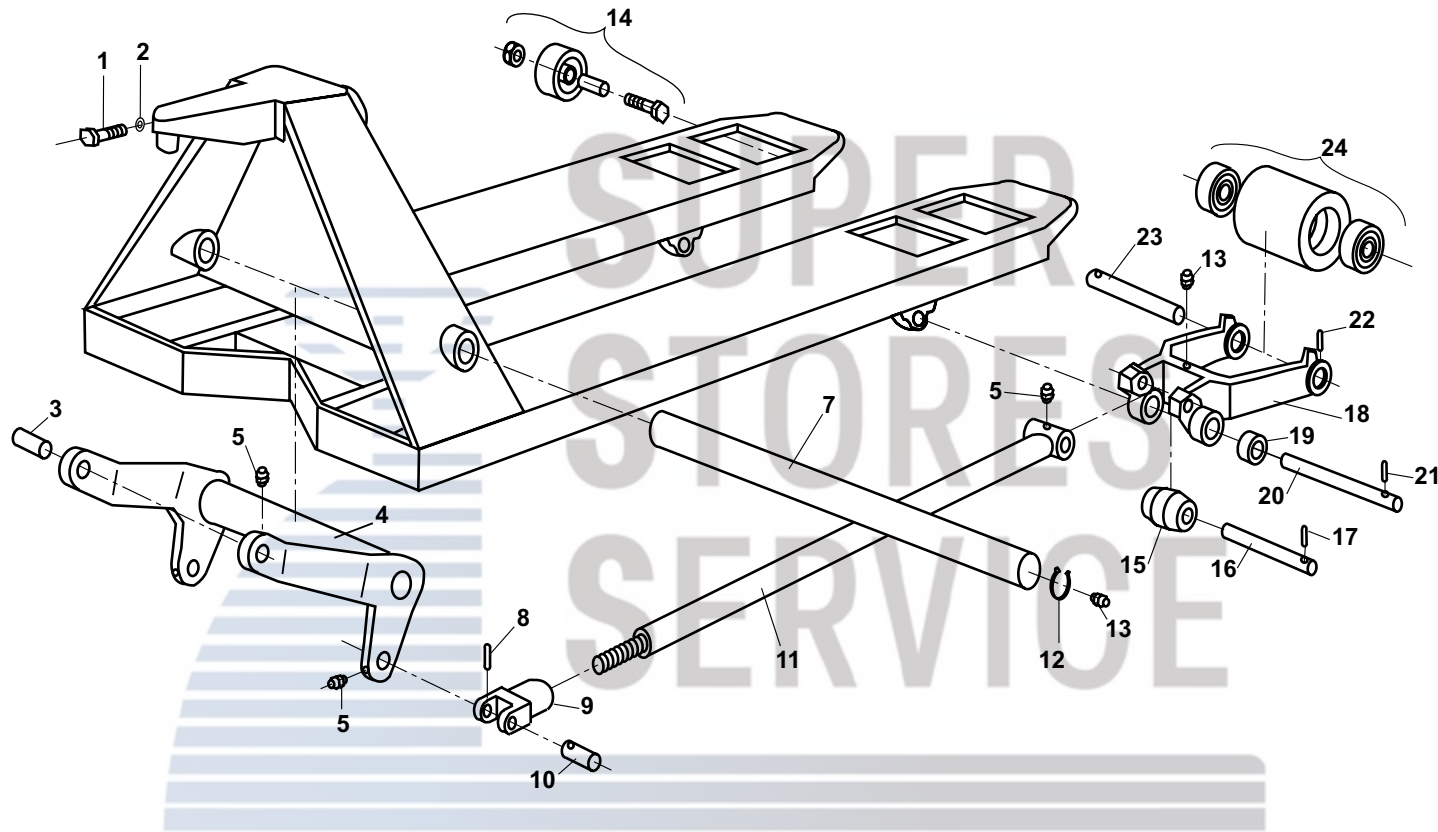


Mighty Lift ML55 Frame



Note:
Mighty Lift Load Wheel 3.75" Wide.
Mobile ECO I-55 Load Wheel 3.5" Wide.

Mighty Lift ML55 Frame

Item	Part No.	Description
1	B42	Bolt
2	B41	Washer
3	B14	Pin
4	B43	Lifting Link, 27" Wide Jack
5	B22	Lube Fitting
7	B20	Lifting Link Shaft, 27" Wide Jack
8	B16	Roll Pin
9	B17	Rod Fitting
10	B18	Pin
11	B19	Push Rod
12	B21	Retaining Ring
13	B15	Lube Fitting
14	B36A	Entry Roller, Axle, Sleeve, Nut Assembly
15	B23	Exit Roller
16	B25	Shaft
17	B24	Roll Pin

Item	Part No.	Description
18	B31	Load Roller Bracket
19	B28	Exit Roller
20	B26	Shaft
21	B27	Roll Pin
22	B30	Roll Pin
23	B29	Shaft
24	B35	Load Roller Assembly, Black Ultra-Poly On Steel Hub W/ Bearings
	B35-N	Load Roller Assembly, Nylon W/ Bearings
	B35-S	Load Roller Assembly, Steel W/ Bearings
	GWK-BF-LW	Load Wheel Kit, (2) Black Ultra-Poly (70D), Load Roller Assemblies, W/ Bearings, Axles & Fasteners
	GWK-BFN-LW	Load Wheel Kit, (2) Nylon Load Roller Assemblies, W/ Bearings, Axles & Fasteners
	B45	Tandem Load Roller Wheel Assembly

Load Wheel Kit

