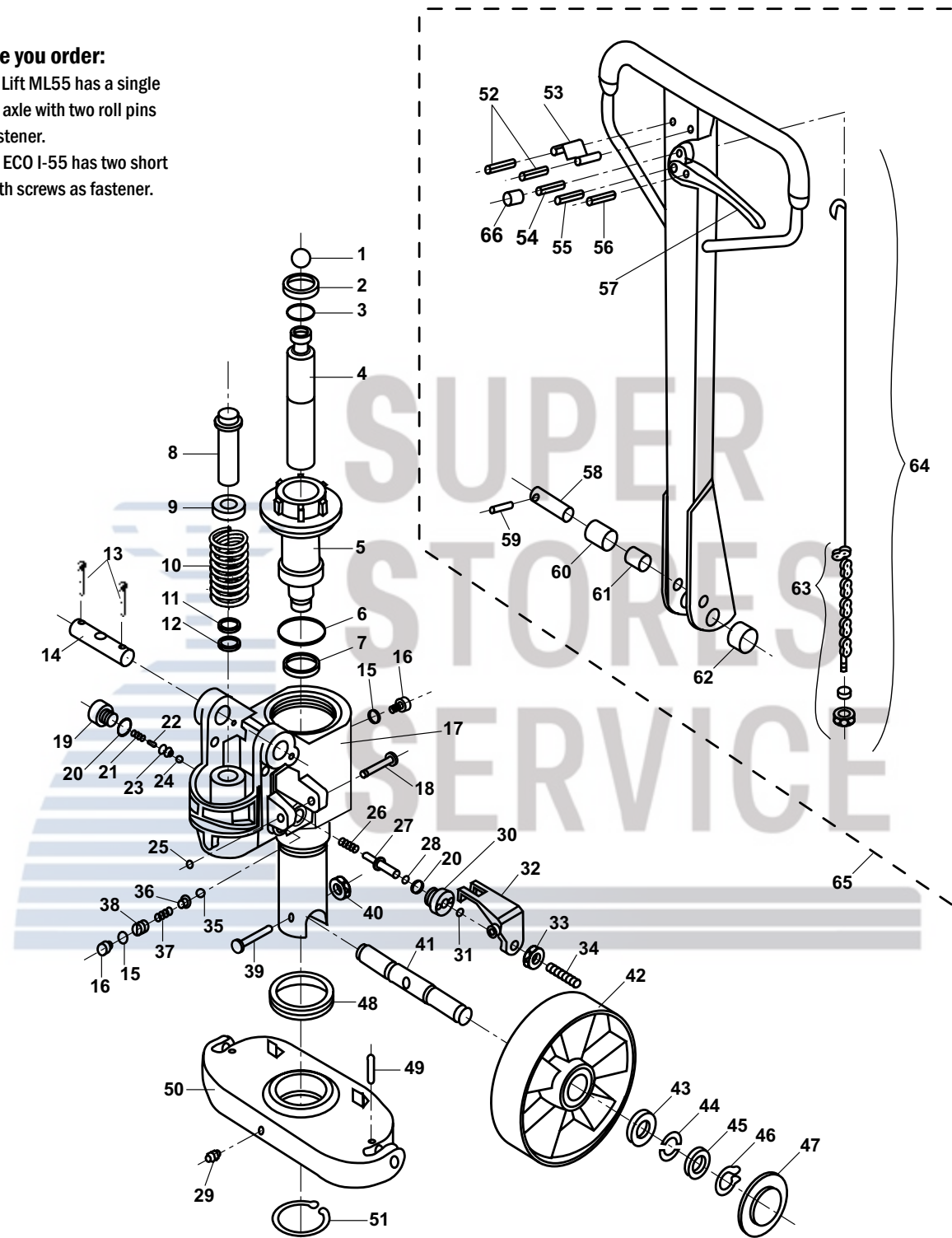


Mighty Lift ML55 Hydraulic Unit

Before you order:

Mighty Lift ML55 has a single handle axle with two roll pins as a fastener.

Mobile ECO I-55 has two short pins with screws as fastener.



Mighty Lift ML55 Hydraulic Unit

| Item | Part No. | Description |
|------|----------|--------------------------|
| 1 | B146 | Ball |
| 2 | A B145 | Wiper |
| 3 | A B144 | O-Ring |
| 4 | B152 | Piston Rod |
| 5 | B143 | Cylinder Cap |
| 6 | A B142 | O-Ring |
| 7 | A B141 | U-Cup |
| 8 | B147 | Pump Piston |
| 9 | B148 | Washer |
| 10 | B149 | Spring |
| 11 | A B150 | Wiper |
| 12 | A B151 | U-Cup |
| 13 | B117 | Cotter Pin |
| 14 | B118 | Handle Pivot Pin |
| 15 | A B126 | Copper Washer |
| 16 | B127 | Screw Plug |
| 17 | BP 100 | Hydraulic Pump |
| 18 | B140 | Lever Plate Bolt |
| 19 | B119 | Screw Plug |
| 20 | A B120 | Copper Washer |
| 21 | B121 | Spring |
| 22 | B122 | Spindle of Damping Valve |
| 23 | B123 | Seat of Damping Valve |
| 24 | B124 | Steel Ball |
| 25 | B153 | Retaining Ring |
| 26 | B128 | Spring |
| 27 | B129 | Release Pin |
| 28 | A B130 | O-Ring |
| 29 | B15 | Lube Fitting |
| 30 | B131 | Sleeve |
| 31 | A B132 | O-Ring |
| 32 | B135 | Lever Plate |

| Item | Part No. | Description |
|--------|------------|--|
| 33 | B134 | Nut |
| 34 | B133 | Set Screw |
| 35 | B139 | Steel Ball |
| 36 | B138 | Ball Valve Seat |
| 37 | B137 | Spring |
| 38 | B136 | Adjustment Screw |
| 39 | B3 | Bolt |
| 40 | B44 | Nut |
| 41 | B2 | Steer Wheel Axle |
| 42 | B8 | Steer Wheel Assembly, Poly On Nylon Hub W/ Bearings |
| | B8-HD | Steer Wheel Assembly, Red Ultra-Poly on Aluminum Hub, W/ Bearings |
| | GWK-BF-CK | Complete Wheel Kit, (2) Ultra-Poly Load Roller Assemblies (70D), (2) Poly Steer Wheel Assemblies, W/ Bearings, Axles & Fasteners |
| | GWK-BFN-CK | Complete Wheel Kit, (2) Nylon Load Roller Assemblies, (2) Nylon Steer Wheel Assemblies, W/ Bearings, Axles & Fasteners |
| 43 | B9 | Bearing |
| 44 | B10 | Half Cirque |
| 45 | B11 | Washer |
| 46 | B12 | Retaining Ring |
| 47 | B13 | Dust Cover |
| 48 | B4 | Thrust Bearing |
| 49 | B6 | Spring Pin |
| 50 | B5 | Traverse |
| 51 | B7 | Retaining Ring |
| 52 | B102 | Roll Pin |
| 53 | B101 | Blade Spring |
| 54 | B104 | Roll Pin |
| 55 | B105 | Roll Pin |
| 56 | B106 | Roll Pin |
| 57 | B107 | Control Lever |
| 58 | B109 | Handle Pin |
| 59 | B110 | Roll Pin |
| 60 | B111 | Roller |
| 61 | B112 | Bushing |
| 62 | B114 | Handle Bushing |
| 63 | B115 | Chain, Adjustment Pin and Nut |
| 64 | B113A | Control Rod Assembly (includes item 57) |
| 65 | B1A | Handle Assembly |
| 66 | B103 | Control Handle Roller |
| KITS A | BK100 | Seal Kit |

Complete Wheel Kit

