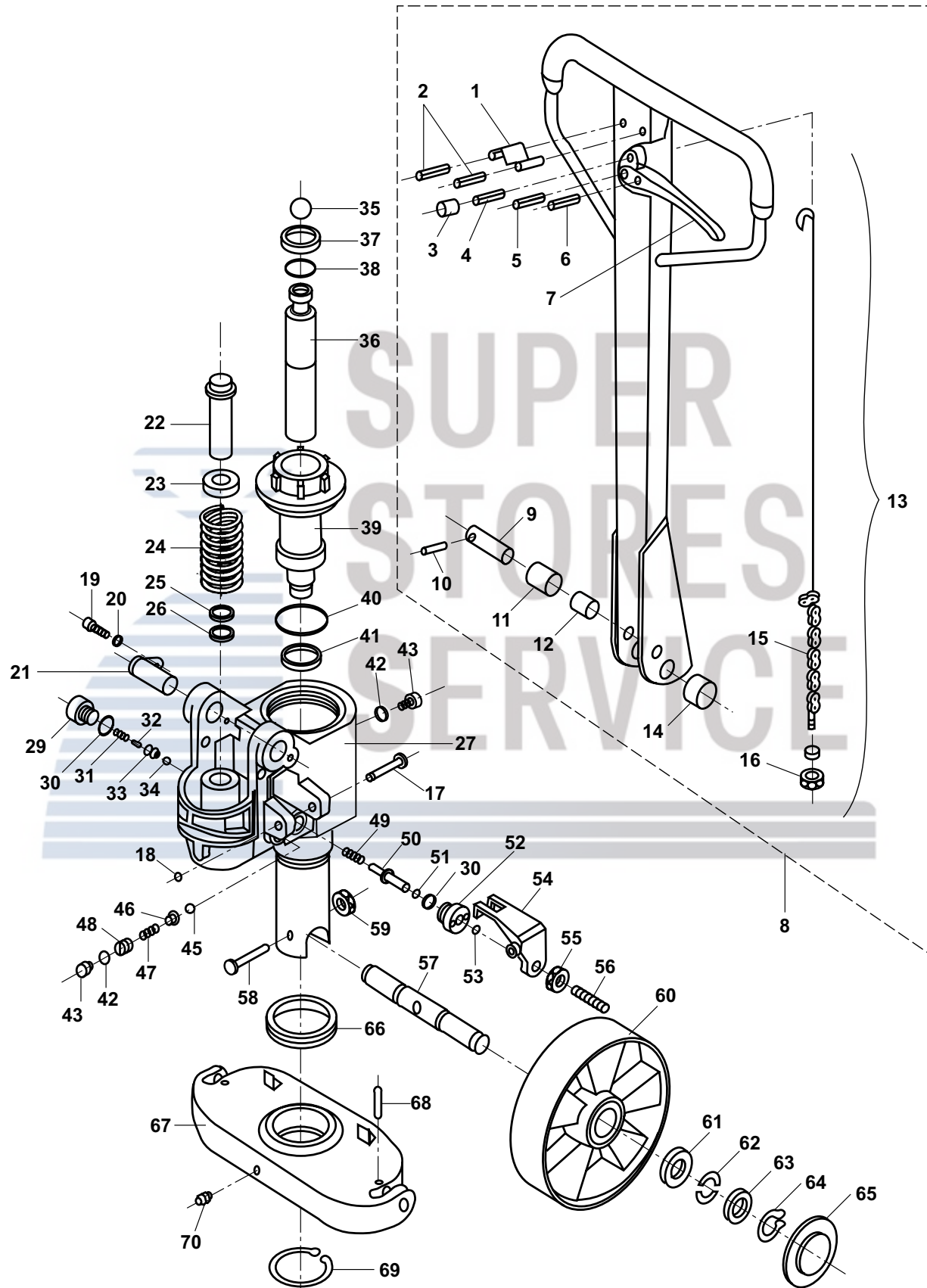


# Mobile ECO I-55 Hydraulic Unit



# Mobile ECO I-55 Hydraulic Unit

Item	Part No.	Description
1	12E101	Control Handle Spring
2	12E102	Roll Pin
3	12E103	Control Handle Roller
4	12E104	Roll Pin
5	12E105	Roll Pin
6	12E106	Roll Pin
7	12E107	Control Lever
8	120E1	Handle Assembly
9	12E109	Handle Pin
10	12E110	Roll Pin
11	12E111	Handle Pressure Roller
12	12E112	Handle Pin Bushing
13	12E113-A	Control Handle Rod Assembly
14	12E114	Handle Bushing
15	12E115	Chain
16	12E116	Adjustment Nut
17	12E140	Lever Plate Bolt
18	12E154	Retaining Ring
19	12E117	Screw
20	12E153	Lock Washer
21	12E118	Handle Pivot Pin
22	12E147	Pump Piston
23	12E148	Washer
24	12E149	Handle Return Spring
25	A 12E150	Wiper
26	A 12E151	U-Cup
27	120E0	New Replacement Pump HU MO ECO I-55 Rebuilt Pump Assembly-Exchange
29	12E119	Screw Plug
30	A 12E120	Seal Washer
31	12E121	Spring
32	12E122	Damping Valve Spindle
33	12E123	Damping Valve Seat
34	12E124	Ball
35	12E146	Ball
36	12E152	Lift Piston
37	A 12E145	Wiper
38	A 12E144	O-Ring
39	12E143	Cylinder Cap
40	A 12E142	O-Ring
41	A 12E141	U-Cup
42	A 12E126	Seal Washer
43	12E127	Bolt
45	12E139	Ball, Valve
46	12E138	Ball Valve Seat
47	12E137	Spring
48	12E136	Bolt
49	12E128	Spring
50	12E129	Strike Pin
51	A 12E130	O-Ring
52	12E131	Sleeve
53	A 12E132	O-Ring
54	12E135	Lever Plate
55	12E134	Nut
56	12E133	Adjusting Screw
57	120E2	Steer Wheel Axle
58	120E3	Steer Axle Bolt
59	120E44	Steer Axle Nut
60	120E8-A-HD	Steer Wheel Assembly, Red Ultra-Poly On Aluminum Hub W/ Bearings
	MO 120E8-A-ST	Steer Wheel Assembly, Black Ultra-Poly On Nylon Hub W/ Bearings
	120E8N-A	Steer Wheel Assembly, Nylon W/ Bearings
	120E8S-A	Steer Wheel Assembly, Steel W/ Bearings
	GWK-ECO-CK	Complete Wheel Kit, (2) Ultra-Poly Load Roller Assemblies (70D), (2) Poly Steer Wheel Assemblies, W/ Bearings, Axles & Fasteners
61	120E9	Bearing
62	120E10	Half Cirque
63	120E11	Washer
64	120E12	Retaining Ring
65	120E13	Hub Cap
66	120E4	Thrust Bearing
67	120E5	Traverse Plate
68	120E6	Roll Pin
69	120E7	Retaining Ring
70	120E41	Lube Fitting
KITS	A 12E155	Seal Kit

Item	Part No.	Description
47	12E137	Spring
48	12E136	Bolt
49	12E128	Spring
50	12E129	Strike Pin
51	A 12E130	O-Ring
52	12E131	Sleeve
53	A 12E132	O-Ring
54	12E135	Lever Plate
55	12E134	Nut
56	12E133	Adjusting Screw
57	120E2	Steer Wheel Axle
58	120E3	Steer Axle Bolt
59	120E44	Steer Axle Nut
60	120E8-A-HD	Steer Wheel Assembly, Red Ultra-Poly On Aluminum Hub W/ Bearings
	MO 120E8-A-ST	Steer Wheel Assembly, Black Ultra-Poly On Nylon Hub W/ Bearings
	120E8N-A	Steer Wheel Assembly, Nylon W/ Bearings
	120E8S-A	Steer Wheel Assembly, Steel W/ Bearings
	GWK-ECO-CK	Complete Wheel Kit, (2) Ultra-Poly Load Roller Assemblies (70D), (2) Poly Steer Wheel Assemblies, W/ Bearings, Axles & Fasteners
61	120E9	Bearing
62	120E10	Half Cirque
63	120E11	Washer
64	120E12	Retaining Ring
65	120E13	Hub Cap
66	120E4	Thrust Bearing
67	120E5	Traverse Plate
68	120E6	Roll Pin
69	120E7	Retaining Ring
70	120E41	Lube Fitting
KITS	A 12E155	Seal Kit

