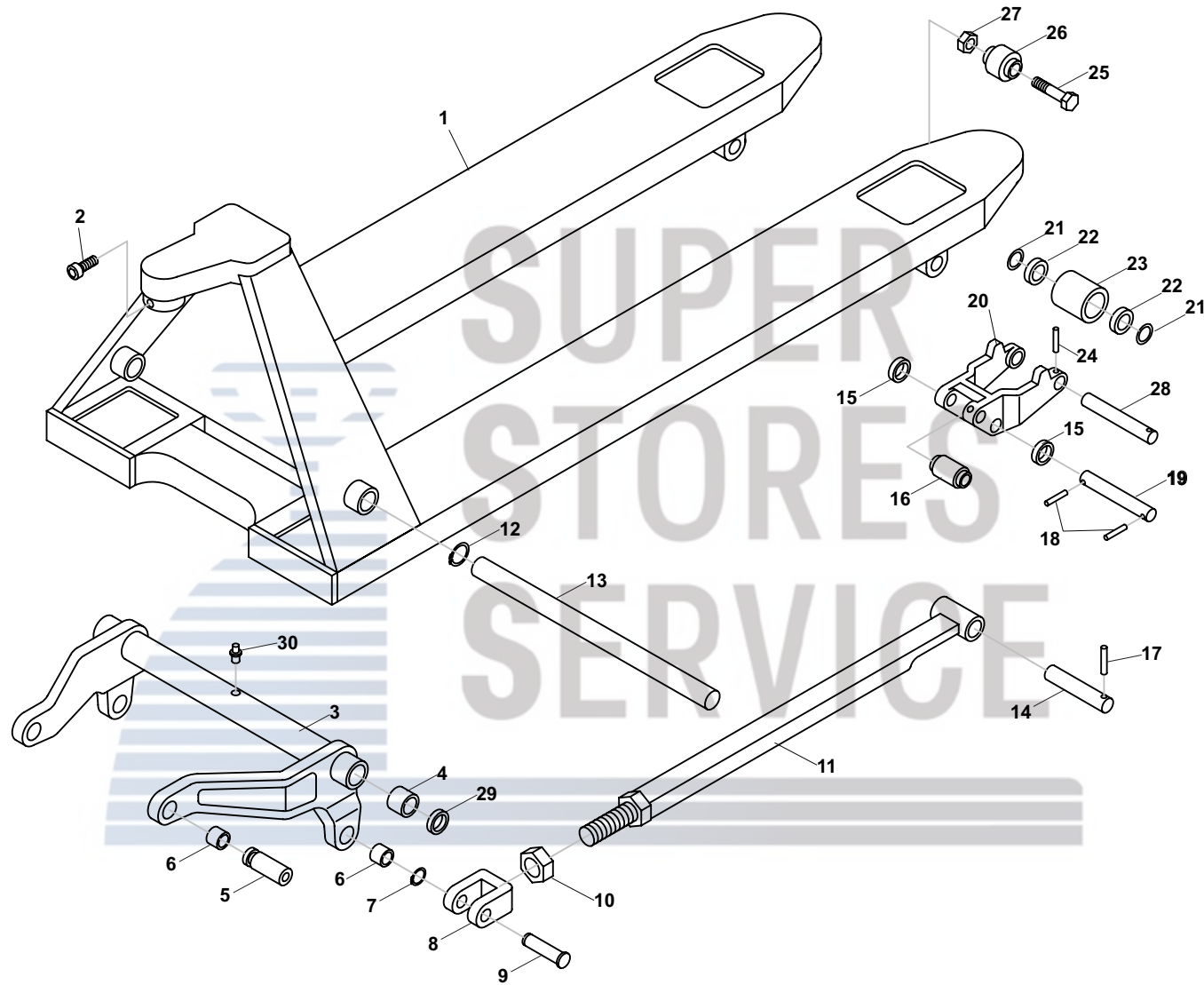


Mobile ECO I-55 (Newer Style) Frame



Mobile ECO I-55 (Newer Style) Frame

Item	Part No.	Description
1	18E201	Frame
2	18E202G	Bolt
3	18E203	Lifting Link (27" Frame)
4	18E204	Bushing
5	18E205	Pin
6	18E206	Bushing
7	18E208	Snap Ring
8	18E209	Joint
9	18E210	Pin
10	18E211	Jam Nut
11	18E212	Push Rod (48" Fork)
12	18E213	Retaining Ring
13	18E214	Shaft (27" Frame)
14	18E216	Pivot Axle
15	18E217	Side Exit Roller
16	18E218	Exit Roller
17	18E219	Roll Pin

Item	Part No.	Description
18	18E220	Roll Pin
19	18E221	Pivot Shaft
20	18E222	Load Wheel Bracket
21	18E225	Washer
22	18E226	Bearing
23	18E234N	Load Wheel Assembly, Nylon W/Bearings
	18E234P	Load Wheel Assembly, Ultra Poly Black W/Bearings
	18E234S	Load Wheel Assembly, Steel W/Bearings
	GWK-ECO2-LW	Load Wheel Kit, (2) Ultra Poly Load Wheels 70D, W/Bearings, Axles & Fasteners
24	18E230	Roll Pin
25	18E231	Bolt
26	18E232	Entry Roller
27	18E233	Lock Nut
28	18E235	Load Wheel Axle
29	18E236	Washer
30	18E237	Lube Fitting