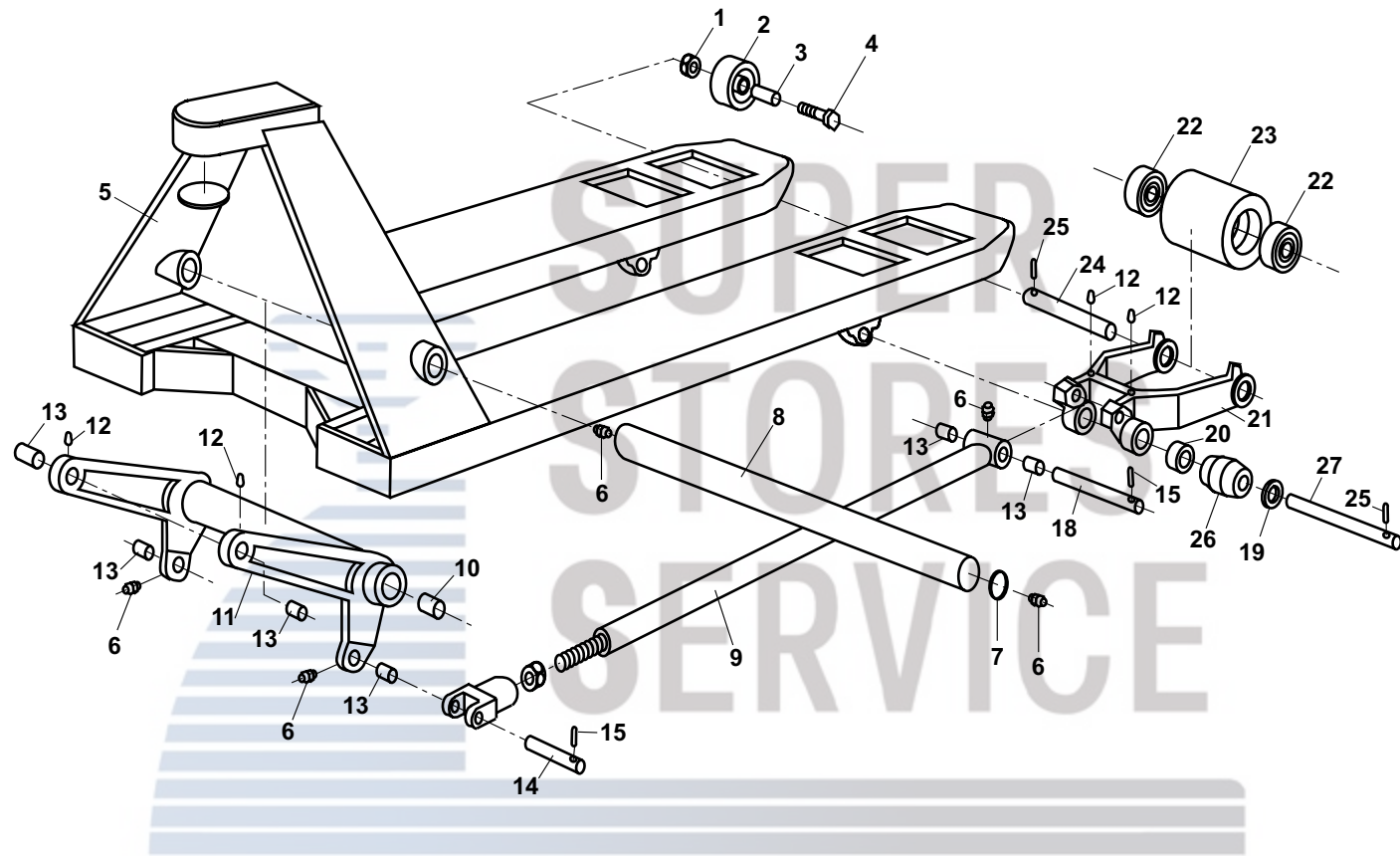


# Mobile MLX55 Frame



# Mobile MLX55 Frame

Item	Part No.	Description
1	120X405	Nut
2	120X402	Entry Roller
3	120X311	Sleeve
4	120X310	Bolt
5	12X1996	Spacer Plate
6	120X659	Grease Fitting (Threaded)
7	120X613	Retaining Ring
8	120X618	Lifting Link Shaft
9	120X502	Push Rod, 32" Forks
	120X503	Push Rod, 36" Forks
	120X504	Push Rod, 42" Forks
	120X505	Push Rod, 48" Forks
10	120X616	Bushing
11	120X655	Lifting Link, 20-1/2" Fork Width
	120X656	Lifting Link, 27" Fork Width
12	120X658	Oiler Fitting
13	120X606	Bushing
14	120X526	Pivot Pin
15	120X607	Roll Pin

Item	Part No.	Description
16	120X520	Clevis
17	120X521	Nut
18	120X515	Push Rod Pin
19	120X614	Exit Roller
20	120X615	Bushing
21	120X400	Load Roller Bracket
22	120X210	Bearing
23	120X205-A-D	Load Roller Assembly, Red Ultra-Poly On Aluminum Hub W/ Bearings
	120X205-A	Load Roller Assembly, Black Ultra-Poly On Steel Hub W/ Bearings
	120X205-N-A	Load Roller Assembly, Nylon W/ Bearings
	GWK-MLX55-LW	Load Wheel Kit, (2) Black Ultra-Poly (70D), Load Roller Assemblies, W/ Bearings, Axles & Fasteners
24	120X211	Load Wheel Axle
25	120X608	Roll Pin
26	120X407	Exit Roller
27	120X214	Bracket Axle

### Load Wheel Kit

