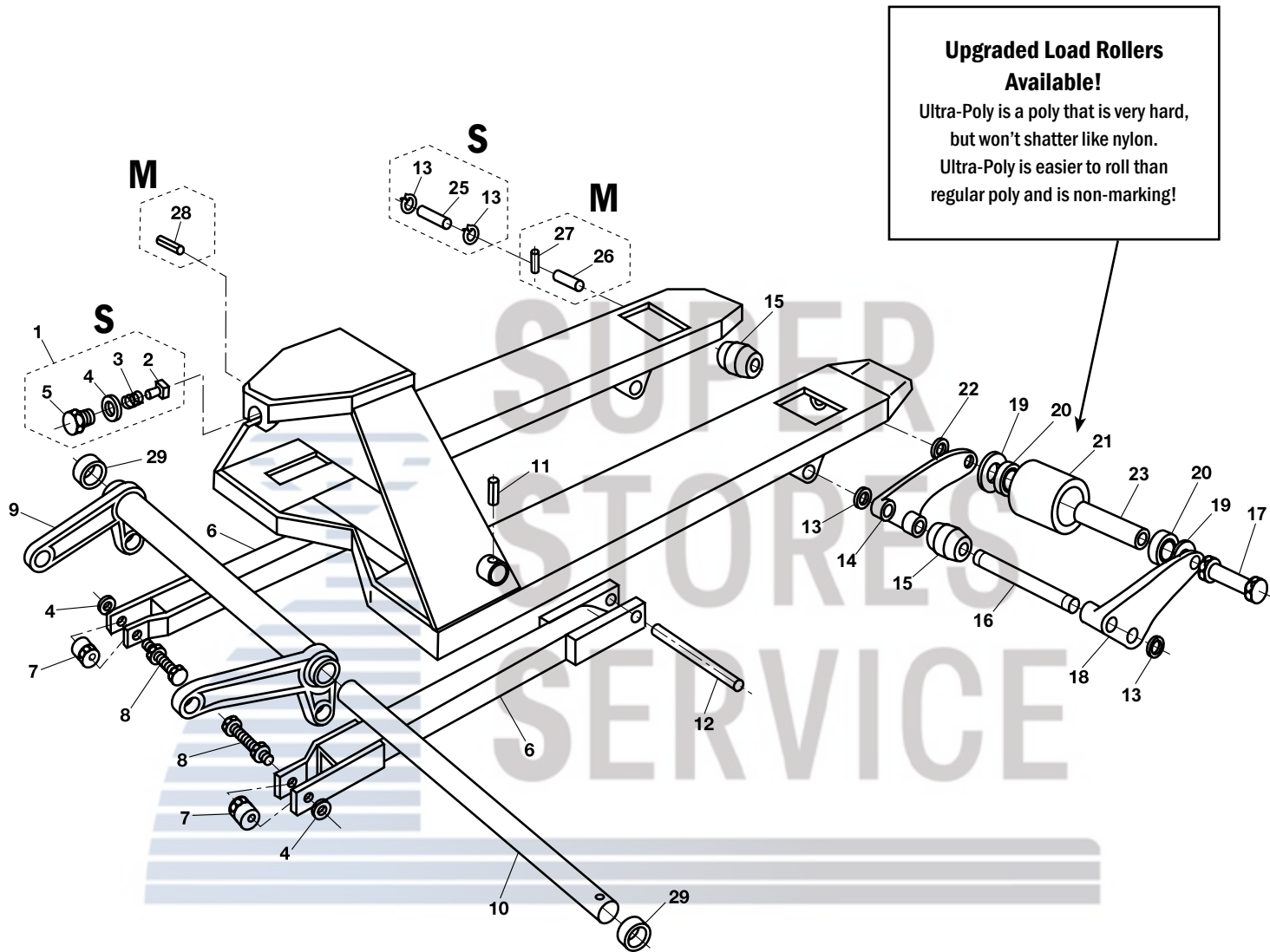


Multiton M and S Frame



Key differences:

Frame -

Model M hydraulic unit is attached to the frame with a roll pin. Model S uses a bolt and locking stud.

Entry Rollers -

Model M uses roll pins to attach the entry rollers. Model S uses snap rings.

Multiton M and S Frame

| Item | Part No. | Description |
|------|----------|-----------------------------------|
| 1 | 23126-A | Locking Stud Assembly |
| 2 | 23126 | Locking Stud |
| 3 | 20440 | Spring |
| 4 | 0560002 | Lock Washer |
| 5 | 23125 | Bolt |
| 6 | 20208-9 | Push Rod, 48" Forks |
| 7 | 20204 | Eccentric |
| 8 | 190070 | Bolt and Nut |
| 9 | 20639-20 | Lifting Link, 20" Wide Jack |
| | 20639-27 | Lifting Link, 27" Wide Jack |
| 10 | 90150 | Lifting Link Shaft, 27" Wide Jack |
| 11 | 05759016 | Roll Pin |
| 12 | 19991 | Push Rod Axle |
| 13 | 06259059 | Snap Ring |
| 14 | 20163-11 | Load Roller Bracket (Left) |
| 15 | 90350 | Entry Roller |
| 16 | 19994 | Pivot Axle |
| 17 | 190076 | Axle Bolt and Lock Nut |
| 18 | 20163-12 | Load Roller Bracket (Right) |
| 19 | 18968 | Washer |

| Item | Part No. | Description |
|------|----------|--|
| 20 | 06450071 | Bearing |
| 21 | 325-P-D | Load Roller Assembly, Red Ultra-Poly On Aluminum Hub W/ Sleeve, Bearings and Washers |
| | 325-P | Load Roller Assembly, Black Ultra-Poly On Steel Hub W/ Sleeve, Bearings and Washers |
| | 90320 | Load Roller Assembly, Nylon W/ Sleeve, Bearings and Washers |
| | 325-S | Load Roller Assembly, Steel W/ Sleeve, Bearings and Washers |
| | 325-TP | Tandem Load Roller Assembly, Poly On Steel W/ Bearings |
| 22 | 0560002 | Lock Washer |
| 23 | 41118 | Sleeve (Single) |
| | 20724 | Sleeve (Tandem) |
| 25 | 20260 | Pin |
| 26 | 25172 | Pin |
| 27 | 192117 | Roll Pin |
| 28 | 05750211 | Roll Pin |
| 29 | 90152-11 | Bushing |

Should a Push Rod for 48" Forks be 48" long?

No, a push rod averages 10 inches shorter than the length of the fork. For example with item 6 above, the Multiton 20208-9 push rod for 48" forks is actually about 38" long.