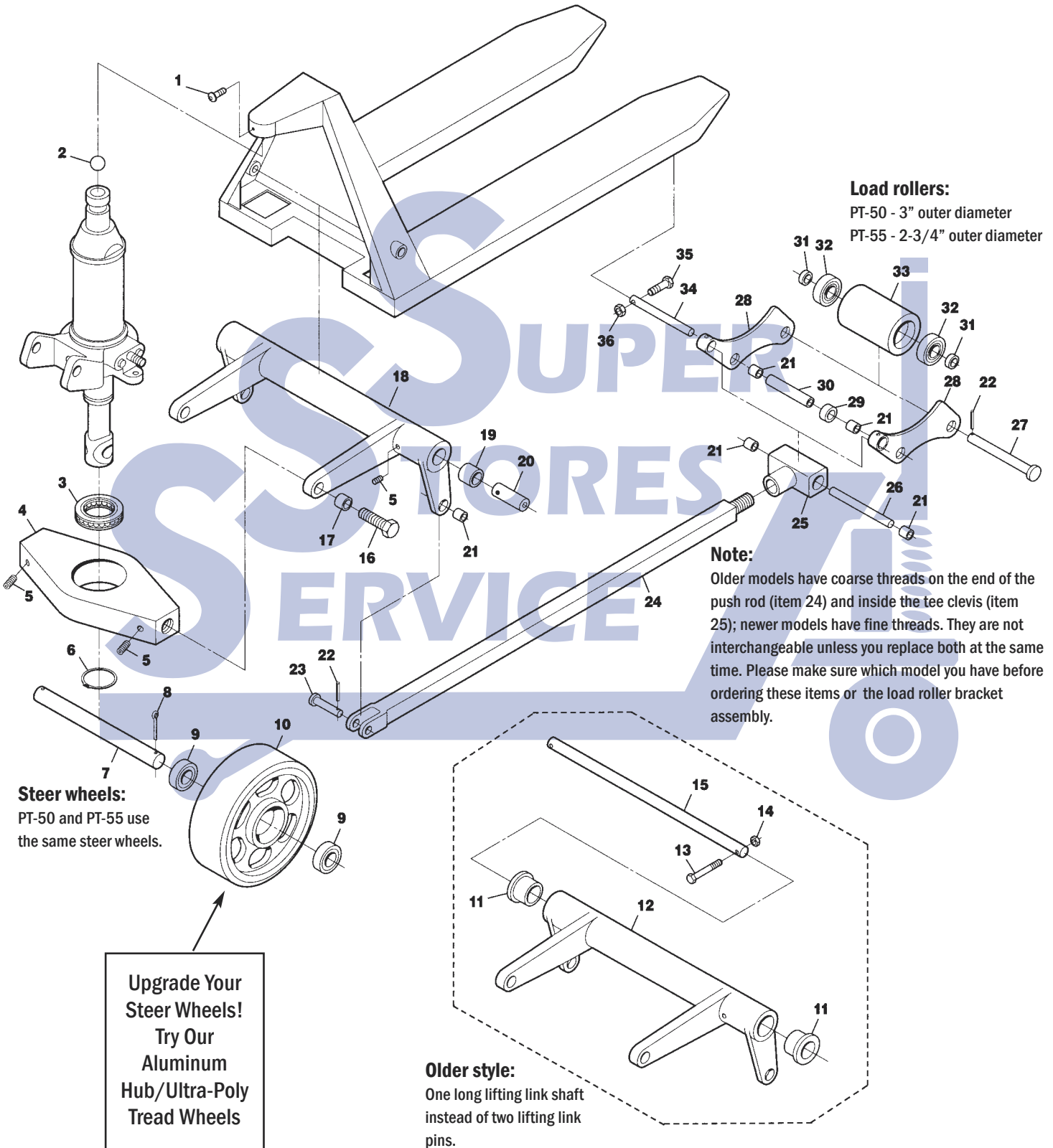


Blue Giant PT-50 and PT-55 Frame



Blue Giant PT-50 and PT-55 Frame

| Item | Part No. | Description | List Price |
|------|--------------|--|---------------|
| 1 | 010-054 | Screw | \$0.50 |
| 2 | 018-523 | Ball | \$5.00 |
| 3 | 018-516 | Traverse Bearing | \$14.00 |
| 4 | 780-185 | Traverse Assembly | Not Available |
| 5 | 014-016 | Set Screw | \$0.50 |
| 6 | 013-039 | Snap Ring | \$1.00 |
| 7 | 107-200 | Steer Wheel Axle | \$12.00 |
| 8 | 013-025 | Cotter Pin | \$0.50 |
| 9 | 018-557 | Bearing | \$5.00 |
| 10 | 020-034-A-HD | Steer Wheel Assembly, Red Ultra Poly On Aluminum Hub W/ Bearings (PT-50) | \$55.00 |
| | 020-034-A-ST | Steer Wheel Assembly, Black Poly On Nylon Hub W/ Bearings (PT-50) | \$38.00 |
| | 020-034-N-A | Steer Wheel Assembly, Nylon W/ Bearings (PT-50) | \$36.00 |
| | 107-238-A | Steer Wheel Assembly, Steel W/ Bearings (PT-50) | \$59.00 |
| | 300-027-A-HD | Steer Wheel Assembly, Red Ultra Poly On Aluminum Hub W/ Bearings (PT-55) | \$55.00 |
| | 300-027-A-ST | Steer Wheel Assembly, Black Poly On Nylon Hub W/ Bearings (PT-55) | \$38.00 |
| | 300-027-N-A | Steer Wheel Assembly, Nylon W/ Bearings (PT-55) | \$36.00 |
| | 107-238-A | Steer Wheel Assembly, Steel W/ Bearings (PT-55) | \$59.00 |
| 11 | 018-013 | Bushing (Flanged) | \$7.00 |
| 12 | 805-842 | Lifting Link, 27" Wide Jack | Not Available |
| 13 | 010-053 | Bolt | \$0.50 |
| 14 | 011-552 | Nut | \$0.50 |
| 15 | 104-055 | Lifting Link Shaft, 20-1/2" Wide Jack | \$18.00 |
| | 104-057 | Lifting Link Shaft, 27" Wide Jack | Not Available |
| 16 | 010-064 | Bolt | \$2.50 |

| Item | Part No. | Description | List Price |
|------|-------------|---|---------------|
| 17 | 018-007 | Bushing | \$2.00 |
| 18 | 811-074 | Lifting Link, 27" Wide Jack | Not Available |
| 19 | 018-071 | Bushing | \$5.00 |
| 20 | 110-046 | Lifting Link Pin | \$12.00 |
| 21 | 018-001 | Bushing | \$2.00 |
| 22 | 013-010 | Roll Pin | \$0.50 |
| 23 | 107-196 | Pin | \$5.00 |
| 24 | 789-127 | Push Rod, 48" Forks (Fine Thread) | \$40.00 |
| 25 | 790-426 | Tee Clevis (Fine Thread) | \$14.00 |
| | 796-083 | Tee Clevis (Course Thread) | Not Available |
| 26 | 106-172 | Push Rod Axle | \$7.50 |
| 27 | 106-170 | Load Roller Axle | \$8.00 |
| 28 | 805-604 | Load Roller Bracket (Pair, Includes Item 21) | \$40.00 |
| 29 | 104-054 | Exit Roller | \$5.00 |
| 30 | 108-330 | Sleeve | \$5.00 |
| 31 | 106-046 | Split Ring | \$1.00 |
| 32 | 018-500 | Bearing (OEM Wheel Only) | \$5.00 |
| 33 | 103-297-A-D | Load Roller Assembly, Red Ultra Poly On Aluminum Hub W/ Bearings, 3" Dia. (PT-50) | \$38.00 |
| | 103-297-A | Load Roller Assembly, Black Ultra Poly On Steel Hub W/ Bearings, 3" Dia. (PT-50) | \$32.00 |
| | 103-297-N-A | Load Roller Assembly, Nylon, 3" Dia. (PT-50) | \$30.00 |
| | 103-160-A | Load Roller Assembly, Steel, 3" Dia. (PT-50) | \$45.00 |
| | 300-034-A-D | Load Roller Assembly, Red Ultra Poly On Aluminum Hub W/ Bearings, 2-3/4" Diameter (PT-55) | \$38.00 |
| | 300-034-A | Load Roller Assembly, Black Ultra Poly On Steel Hub W/ Bearings, 2-3/4" Diameter (PT-55) | \$32.00 |
| 34 | 106-169 | Pivot Axle | \$8.00 |
| 35 | 010-087 | Screw | \$0.50 |
| 36 | 011-545 | Adjusting Nut | \$0.50 |