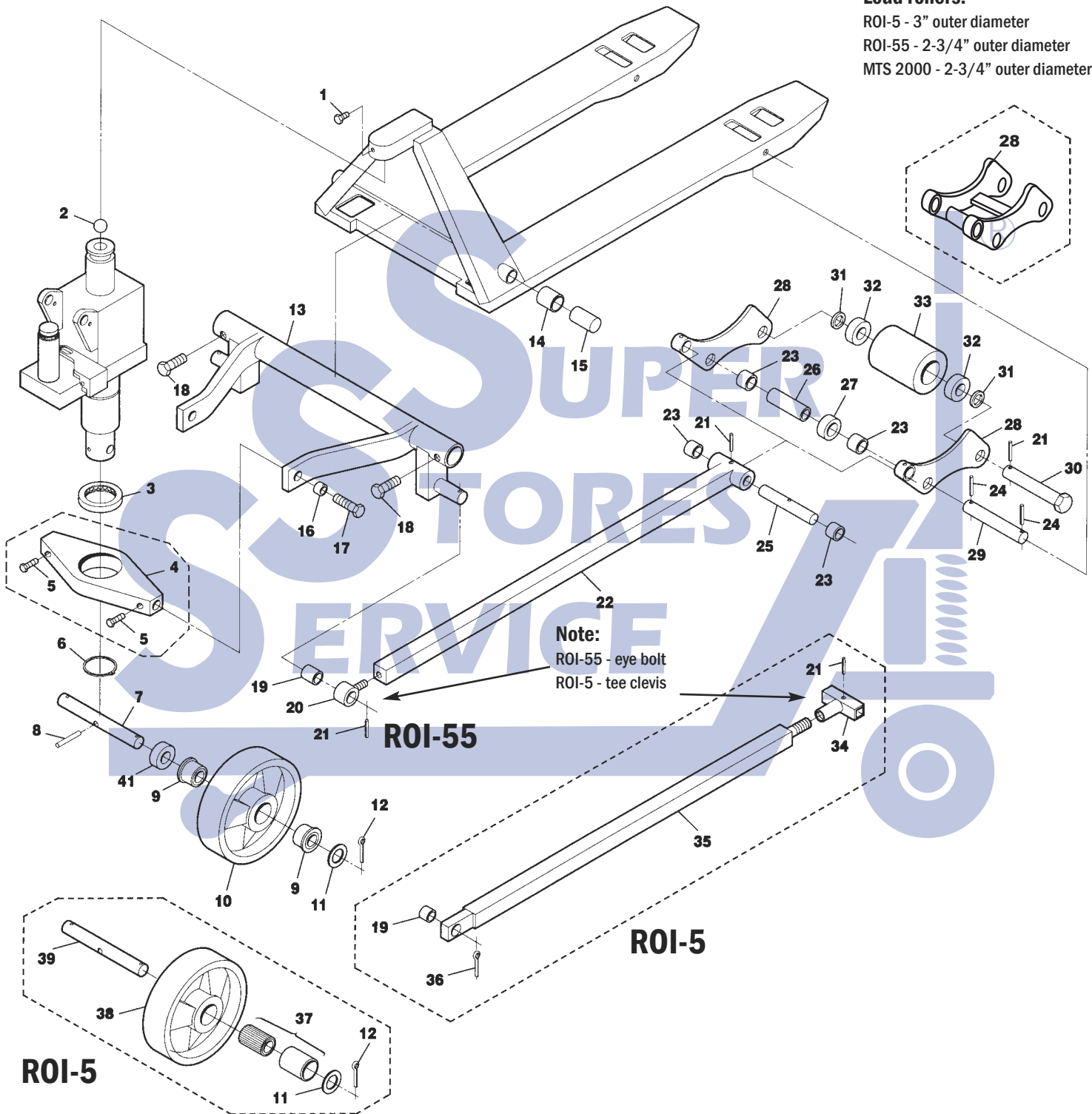


# Blue Giant ROI-5, ROI-55 and MTS 2000 Frame

**Load rollers:**

- ROI-5 - 3" outer diameter
- ROI-55 - 2-3/4" outer diameter
- MTS 2000 - 2-3/4" outer diameter



# Blue Giant ROI-5, ROI-55 and MTS 2000 Frame

Item	Part No.	Description	List Price
1	010-054	Screw	\$0.50
2	018-523	Ball	\$5.00
3	018-516	Traverse Bearing	\$14.00
5	014-016	Set Screw	\$0.50
6	013-039	Snap Ring	\$1.00
7	107-200	Steer Wheel Axle	\$12.00
8	013-090	Roll Pin	\$0.50
9	018-587	Bearing (Flanged), 1" ID	\$10.00
10	300-027-A-HD	Steer Wheel Assembly, Red Ultra Poly On Aluminum Hub W/ Bearings (ROI-55)	\$55.00
	300-027-A-ST	Steer Wheel Assembly, Black Poly On Nylon Hub W/ Bearings (ROI-55)	\$38.00
	300-027-N-A	Steer Wheel Assembly, Nylon W/ Bearings (ROI-55)	\$36.00
	300-040-A-HD	Steer Wheel Assembly, Red Ultra Poly On Aluminum Hub W/ Bearings (MTS 2000)	\$55.00
	300-040-A-ST	Steer Wheel Assembly, Black Poly On Nylon Hub W/ Bearings (MTS 2000)	\$38.00
	300-040-N-A	Steer Wheel Assembly, Nylon W/Bearings (MTS 2000)	\$36.00
11	111-141	Washer	\$0.50
12	013-025	Cotter Pin	\$0.50
13	782-319	Lifting Link, 27" Wide Jack (ROI-55)	Not Available
	790-493	Lifting Link, 27" Wide Jack (ROI-5)	Not Available
	782-320	Lifting Link, 20-1/2" Wide Jack (MTS 2000)	Not Available
	782-319	Lifting Link, 27" Wide Jack (MTS 2000)	Not Available
14	018-071	Bushing	\$5.00
15	110-046	Lifting Link Pin	\$12.00
16	018-007	Bushing - ROI-55	\$2.00
	018-001	Bushing - ROI-5	\$2.00
17	010-064	Bolt	\$2.50
18	014-016	Set Screw	\$0.50
	010-095	Screw	\$0.50
19	018-001	Bushing	\$2.00
20	782-321	Eye Bolt	\$10.00
21	013-010	Roll Pin	\$0.50

Item	Part No.	Description	List Price
22	782-548	Push Rod, 48" Forks	\$40.00
23	018-001	Bushing	\$2.00
24	013-066	Roll Pin	\$0.50
25	106-172	Push Rod Axle	\$7.50
26	108-330	Sleeve	\$5.00
27	104-054	Exit Roller	\$5.00
28	788-855	Load Roller Bracket (Pair) Includes Item 23 (ROI-55)	\$40.00
	805-604	Load Roller Bracket (Pair) Includes Item 23 (ROI-5)	\$40.00
	300-773	Load Roller Bracket, 1 Piece, Incl. Item 23	\$40.00
29	300-019	Pivot Axle	\$6.00
30	106-170	Load Roller Axle	\$8.00
31	106-046	Split Ring	\$1.00
32	018-500	Bearing (OEM Wheel Only)	\$5.00
33	300-000-A-D	Load Roller Assembly, Red Ultra Poly On Aluminum Hub W/ Bearings, 3" Dia. (ROI-5)	\$38.00
	300-000-A	Load Roller Assembly, Black Ultra Poly On Steel Hub W/ Bearings, 3" Dia. (ROI-5)	\$32.00
	300-000-N-A	Load Roller Assembly, Nylon W/ Bearings, 3" Dia (ROI-5)	\$30.00
	300-034-A	Load Roller Assembly, Black Ultra Poly On Steel Hub W/ Bearings, 2-3/4" Dia. (ROI-55)	\$32.00
	300-030-A-D	Load Roller Assembly, Red Ultra Poly On Aluminum Hub W/ Bearings, 2-3/4" Dia. (MTS 2000)	\$38.00
	300-030-A	Load Roller Assembly, Black Ultra Poly On Steel Hub W/ Bearings, 2-3/4" Dia. (MTS 2000)	\$32.00
34	790-426	Tee Clevis (Fine Thread)	\$14.00
35	789-195	Push Rod, 48" Forks, Replace W/ Items 20 and 22	Not Available
36	013-025	Cotter Pin	\$0.50
37	111-077	Roller Bearing and Sleeve	\$10.00
38	111-078-N-A	Steer Wheel Assembly, Nylon	\$36.00
39	107-200	Steer Wheel Axle	\$12.00
41	012-289	Spacer (MTS 2000)	\$5.00