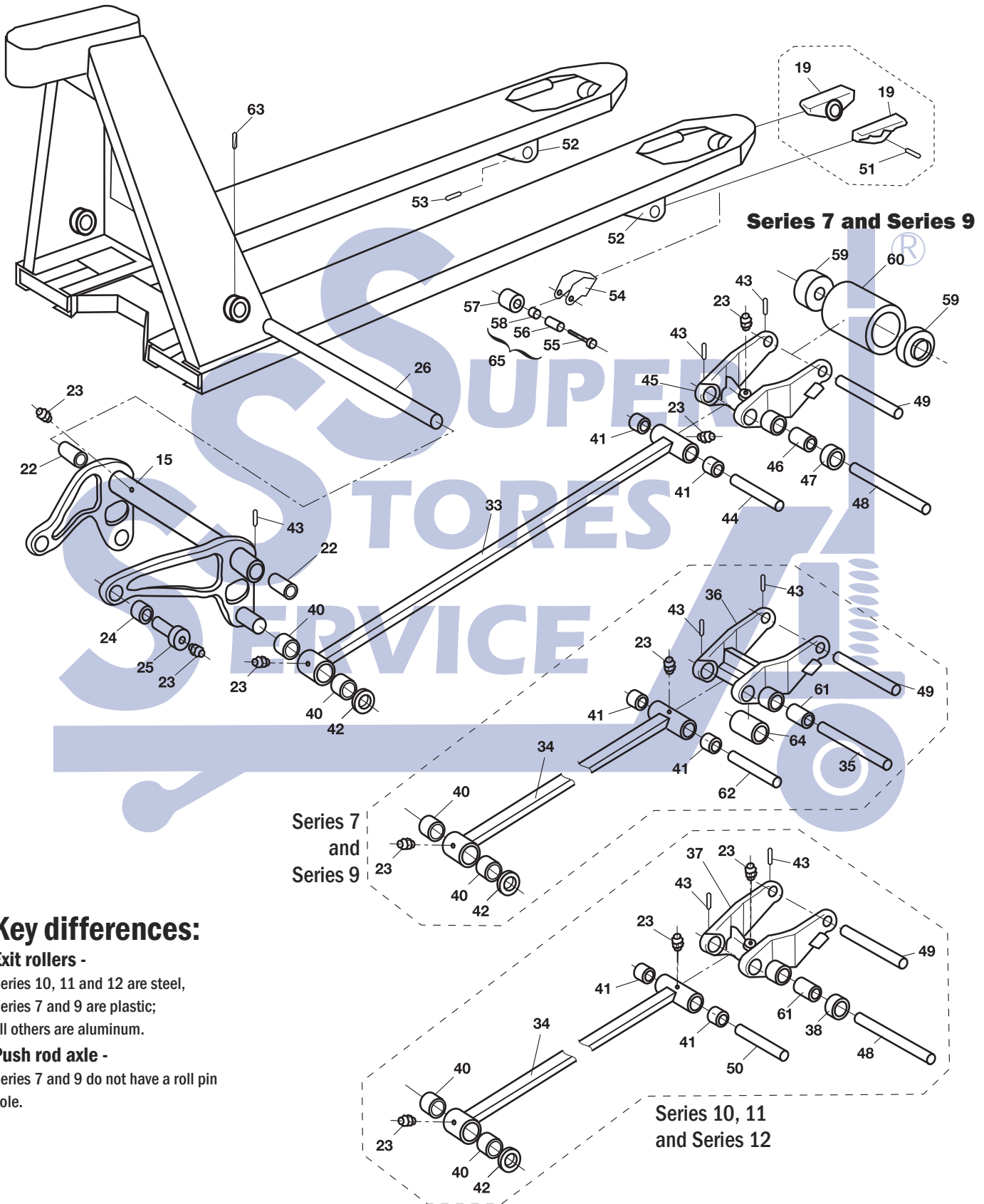


# BT L 2000-U and L 2300-U Frame



## Key differences:

### Exit rollers -

Series 10, 11 and 12 are steel,  
 Series 7 and 9 are plastic;  
 all others are aluminum.

### Push rod axle -

Series 7 and 9 do not have a roll pin  
 hole.

# BT L 2000-U and L 2300-U Frame

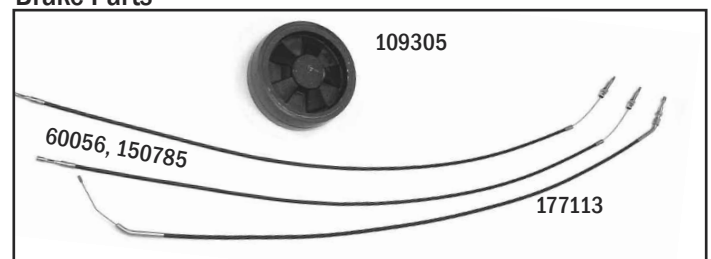
Item	Part No.	Description	List Price
15	64183	Lifting Link, 27" Wide Jack	\$79.00
19	119911	Ear-Weldment	\$18.00
	47135	Ear-Weldment	\$12.00
22	47167	Bushing	\$3.00
23	20026	Grease Fitting (Threaded)	\$0.50
	27662	Grease Fitting (Press-In)	\$0.50
24	30018	Bushing	\$3.00
25	127304	Shoulder Pin, Series 10	\$8.00
	166701	Shoulder Pin, Series 11 and 12	\$8.00
26	47157	Lifting Link Shaft, 27" Wide Jack	\$18.00
33	48264	Push Rod, 48" Forks	\$40.00
34	109566-122	Push Rod, 48" Forks, Series 10	\$40.00
	157213	Push Rod, 48" Forks, Series 11 and 12	\$40.00
35	109478	Pivot Axle	\$10.00
36	128539	Load Roller Bracket	\$40.00
37	130750	Load Roller Bracket, Series 10	\$40.00
	149466	Load Roller Bracket, Series 11 and 12	\$40.00
38	65601	Exit Roller (Steel, 9.5 to 10mm Thick)	\$10.00
40	30023	Bushing	\$1.00
41	47117	Bushing	\$1.00
42	20013	Washer	\$0.50
43	20001	Roll Pin	\$0.50
44	47120	Push Rod Axle	\$8.00
45	47137	Load Roller Bracket	\$40.00
46	30024	Bushing	\$2.00
47	58027	Exit Roller (Steel, 11.5 to 12mm Thick)	\$7.00
48	47134	Pivot Axle	\$8.50
49	111257	Load Roller Axle	\$8.50
50	126131	Push Rod Axle	\$8.00
51	27921	Roll Pin	\$0.50
52	47135	See Item 19 part no.119911	
53	20014	See Item 51 part no.27921	
54	47110	Entry Roller Bracket	\$16.00

Item	Part No.	Description	List Price
55	21385	Bolt	\$0.50
56	47151	Sleeve	\$1.50
57	47150	Entry Roller	\$5.00
58	20433	Nut	\$0.50
59	167630	Bearing, 47 mm OD (Newer Style)	\$6.00
	22053	Bearing, Older Style Wheel	\$8.00
60	167609-D	Load Roller Assembly, Red Ultra Poly On Aluminum Hub W/ Bearings, 2.9" Dia.	\$38.00
	167609	Load Roller Assembly, Black Ultra Poly On Steel Hub W/ Bearings, 2.9" Dia.	\$32.00
	167600	Load Roller Assembly, Nylon W/ Bearings, 2.9" Dia.	\$30.00
	15881	Load Roller Assembly, Black Ultra Poly On Steel Hub W/ Bearings, 2.9" Dia.	\$32.00
	15881-D-WA	Load Roller Assembly, Red Ultra Poly On Aluminum Hub W/ Bearings, 2.9" Dia. Wet Application	\$42.00
	15881-WA	Load Roller Assembly, Black Ultra Poly On Steel Hub W/ Bearings, 2.9" Dia., Wet Application	\$36.00
	55002-A	Load Roller Assy - 2.9" Diameter, Steel	\$45.00
	GWK-BTU-LW	Load Wheel Kit, (L 2000-U & L 2300-U) 2 Load Roller Assy W/ Bearings, Axles and Fasteners	\$74.95
61	51805	Bushing	\$2.00
62	110777	Push Rod Axle	\$10.00
63	22128	Roll Pin	\$0.50
64	105369	Exit Roller (Nylon)	\$4.00
65	21385-A	Axle Assembly	\$3.00
	60056	Brake Cable Assembly (up to Series 10)	\$60.00
	150785	Brake Cable Assembly (Series 11)	\$60.00
	177113	Brake Cable Assembly (Series 12)	\$60.00
	109305	Brake Wheel, Poly On Steel	\$60.00

## Load Wheel Kit



## Brake Parts



\*Non-discounting item  
Prices subject to change without notice. All manufacturers' names, part numbers and descriptions are used for reference purposes only.  
We do not imply that any parts are the products of a particular manufacturer. Copyright © 2008 by GPS, Inc. All rights reserved.