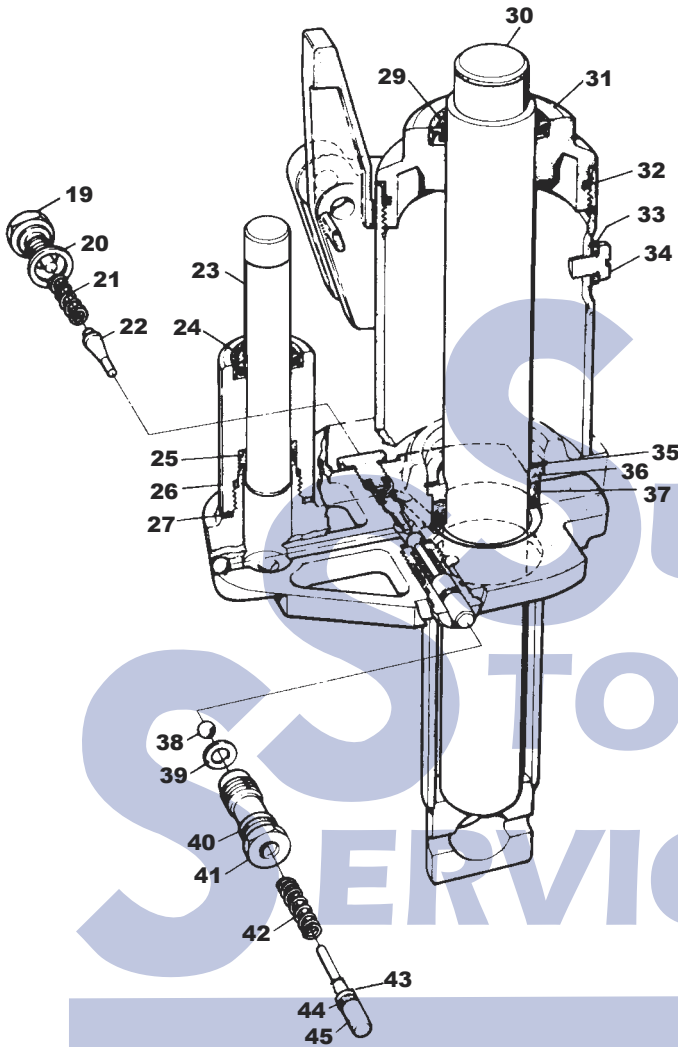


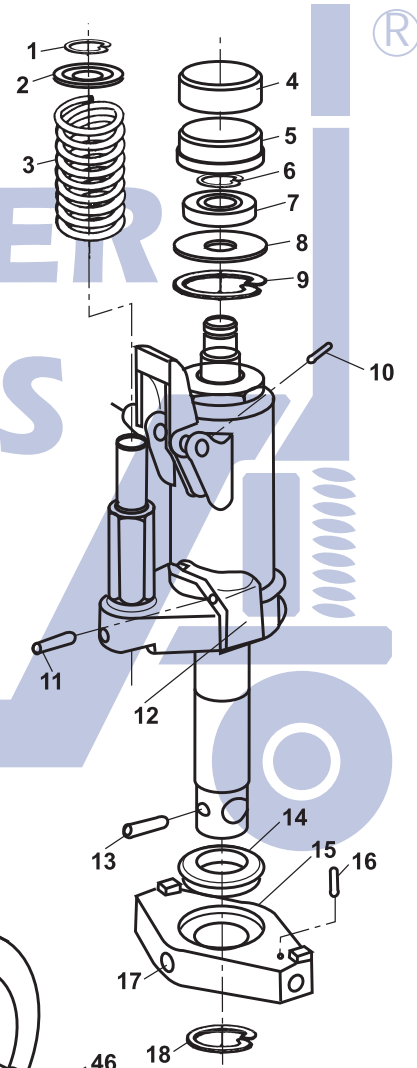
BT L 2000, L 2300, L 2000-U and L 2300-U Hydraulic Unit



Note:
Item 28 (ball) is a permanent part and is not intended to be removed.

On Series 10 and higher pallet jacks, the pump cylinder, item 26, is welded to the body of the hydraulic unit and is not intended to be removed.

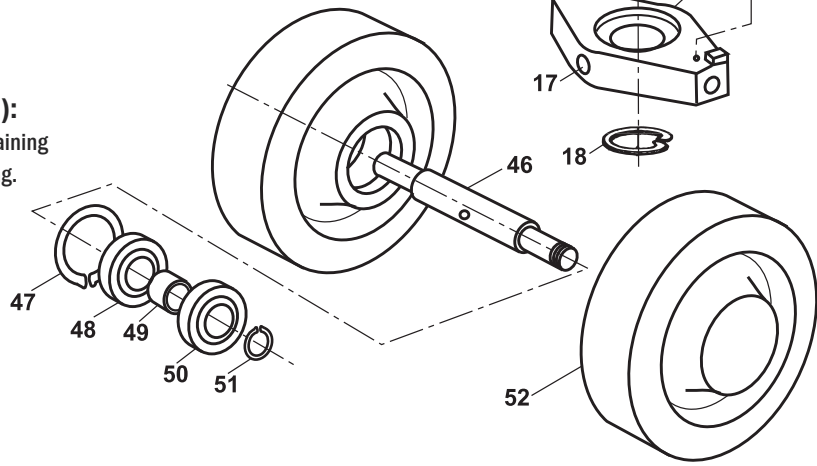
Note:



Note:
Open hub steer wheels do not require a snap ring and spacer, items 47 and 49. These parts are only necessary when ordering closed hub nylon wheels.

How to install the BT steer wheel (closed hub):

1. Slide the large snap ring, bearing, spacer and the remaining bearing onto the axle. Secure in place with small snap ring.
2. Carefully hammer the wheel onto the bearing assembly with a rubber or nylon mallet. Insert large snap ring into the groove on the inside of the hub of the steer wheel to secure in place.



Upgrade Your Steer Wheels!
Try Our Aluminum Hub/ Ultra-Poly Tread Wheels

BT L 2000, L 2300, L 2000-U and L 2300-U Hydraulic Unit

Item	Part No.	Description	List Price
1	20043	Snap Ring	\$1.25
2	47450	Washer	\$5.00
3	65245	Spring	\$10.00
4	47997	Insert	\$10.00
5	47996	Bearing Cap, Steel	\$24.00
	164675	Bearing Cap (Series 12), Nylon	\$12.00
6	20041	Snap Ring	\$0.50
7	20018	Bearing	\$5.00
8	47995	Washer	\$7.00
9	20076	Snap Ring	\$2.00
10	20071	Roll Pin	\$0.50
11	A B 20104	Roll Pin	\$1.00
12	47070	Release Lever	\$18.00
13	20868	Roll Pin	\$1.00
14	22052	Traverse Bearing	\$12.00
15	47092	Traverse	\$40.00
16	20001	Roll Pin	\$0.50
17	20026	Grease Fitting (Threaded)	\$0.50
18	20011	Snap Ring	\$1.00
19	43713	Screw Plug	\$8.00
20	ABCF 37218	Washer	\$0.50
21	A B 39106	Spring	\$1.00
22	A B 47049	Valve	\$12.00
23	47043	Piston	\$24.00
	130168	Piston (Series 10, 11 and 12)	\$24.00
24	ABCD 21060	Scraper	\$5.50
25	ABCD 21065	U-Cup (Series 10)	\$10.00
	ABCD 22033	U-Cup	\$5.00
26	47042	Pump Cylinder	\$48.00
27	ABCD 47044	Washer	\$2.00
29	ABCE 20066	Scraper	\$6.00
30	47985	Ram	\$84.00
31	47037	Top Nut	\$34.00
32	ABCE 21024	O-Ring	\$1.00
33	ABCE 21742	Washer	\$2.00
34	20345	Filler Plug	\$1.50
35	A B 20101	Snap Ring	\$1.00
36	A B 47039	Bushing	\$10.00
37	ABCE 22034	U-Cup	\$7.00
38	ABCF 20065	Ball	\$2.00
39	ABCF 47050	Washer	\$0.50
40	ABCF 22032	O-Ring	\$1.25
41	A 129209	Release Pin Guide	\$32.00

Item	Part No.	Description	List Price
42	A B 47071	Spring	\$2.00
43	A B 49513	Spring Guide	\$4.00
44	ABCF 22318	Scraper	\$3.50
45	A B 47051	Release Pin	\$12.00
46	47144	Steer Wheel Axle	\$12.00
47	20923	Snap Ring	\$1.00
48	22123	Bearing	\$5.00
49	47149	Spacer	\$3.00
50	20332	Bearing	\$5.00
51	20019	Snap Ring	\$0.50
52	160422-HD	Steer Wheel Assembly, Red Ultra Poly On Aluminum Hub W/ Bearings, 7" Dia., Open Hub	\$55.00
	160422-ST	Steer Wheel Assembly, Black Poly On Nylon Hub W/ Bearings, 7" Dia., Open Hub	\$38.00
	160421	Steer Wheel Assembly, Nylon W/ Bearings, 7" Dia., Open Hub	\$36.00
	160433	Steer Wheel Assembly, Steel W/ Bearings, 7" Dia., Open Hub	\$59.00
	126968-A-HD	Steer Wheel Assembly, Red Ultra Poly On Aluminum Hub W/ Bearings, 7" Dia., Open Hub	\$55.00
	126968-A-ST	Steer Wheel Assembly, Black Poly On Nylon Hub W/ Bearings, 7" Dia., Open Hub	\$38.00
	102667-A	Steer Wheel Assembly, Steel W/ Bearings, 7" Dia., Open Hub	\$59.00
	GWK-BTL-CK	Complete Wheel Kit, (2) Load Roller Assy, (2) Steer Wheel Assy W/ Bearings, Axles and Fasteners, Open Hub	\$124.95
	102665-A	Steer Wheel Assembly, Nylon W/ Bearings, 7" Dia., Closed Hub	\$36.00
KITS A	129883-SUPER	Super Seal Kit	\$48.00
KITS B	129883	Complete Seal Kit	\$40.00
KITS C	129883-SLIM	Slim Seal Kit	\$25.00
KITS D	130784	Pump Cylinder Kit	\$12.00
KITS D	22306	Pump Cylinder Kit	\$12.00
KITS E	129881	Lift Cylinder Kit	\$12.00
KITS F	129882	Valve Packing Kit	\$5.00
	HU BTL 2000	Rebuilt Hydraulic Unit - Exchange	*139.00

*Non-discounting item
Prices subject to change without notice. All manufacturers' names, part numbers and descriptions are used for reference purposes only.
We do not imply that any parts are the products of a particular manufacturer. Copyright © 2008 by GPS, Inc. All rights reserved.