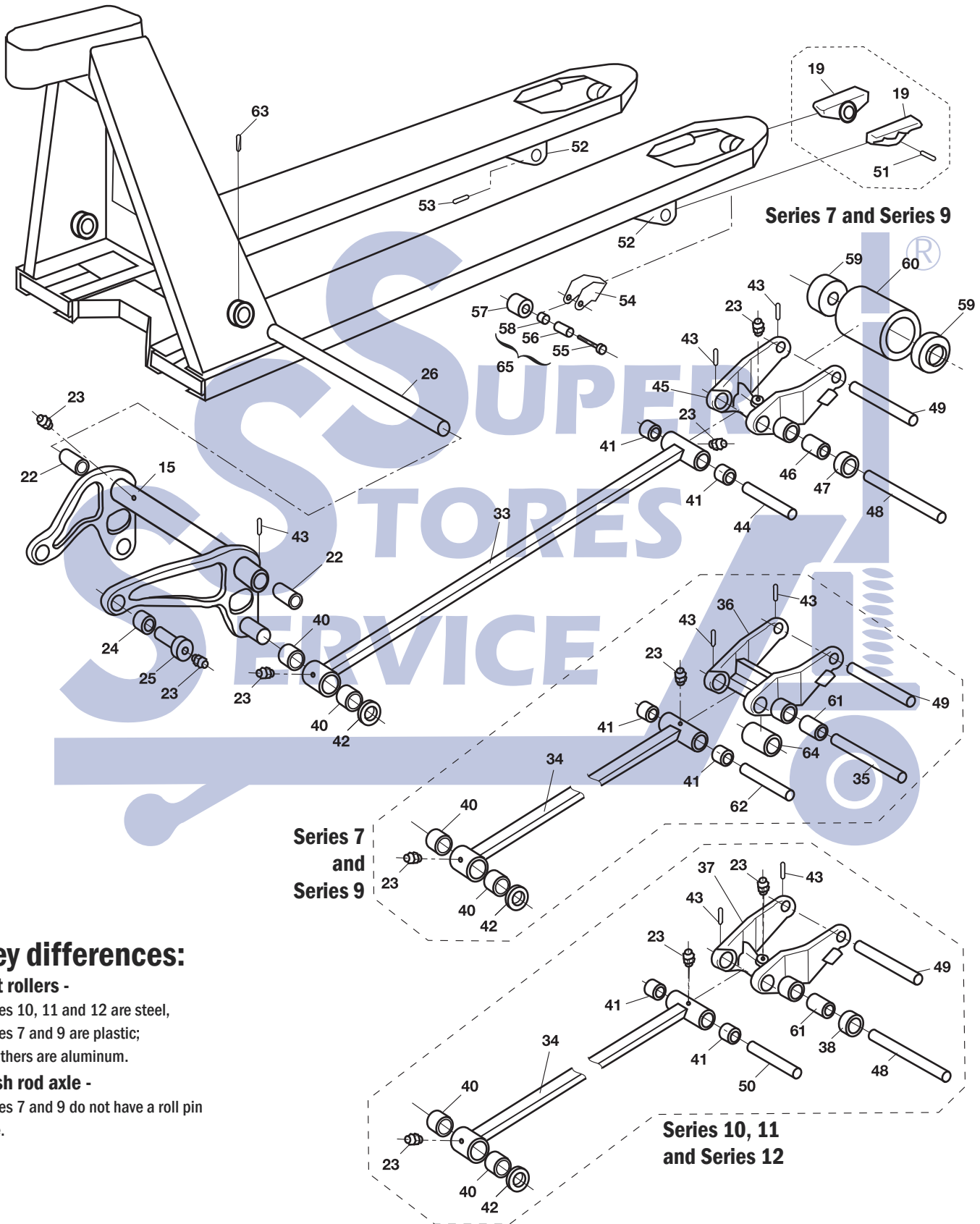


BT L 2000 and L 2300 Frame



Key differences:

Exit rollers -

Series 10, 11 and 12 are steel,
 Series 7 and 9 are plastic;
 all others are aluminum.

Push rod axle -

Series 7 and 9 do not have a roll pin
 hole.

BT L 2000 and L 2300 Frame

Item	Part No.	Description	List Price
15	64183	Lifting Link, 27" Wide Jack	\$79.00
19	119911	Ear-Weldment	\$18.00
	47135	Ear-Weldment	\$12.00
22	47167	Bushing	\$3.00
23	20026	Grease Fitting (Threaded)	\$0.50
	27662	Grease Fitting (Press-In)	\$0.50
24	30018	Bushing	\$3.00
25	127304	Shoulder Pin, Series 10	\$8.00
	166701	Shoulder Pin, Series 11 and 12	\$8.00
26	47157	Lifting Link Shaft, 27" Wide Jack	\$18.00
33	48264	Push Rod, 48" Forks	\$40.00
34	109566-122	Push Rod, 48" Forks, Series 10	\$40.00
	157213	Push Rod, 48" Forks, Series 11 and 12	\$40.00
35	109478	Pivot Axle	\$10.00
36	128539	Load Roller Bracket	\$40.00
37	130750	Load Roller Bracket, Series 10	\$40.00
	149466	Load Roller Bracket, Series 11 and 12	\$40.00
38	65601	Exit Roller (Steel, 9.5 to 10mm Thick)	\$10.00
40	30023	Bushing	\$1.00
41	47117	Bushing	\$1.00
42	20013	Washer	\$0.50
43	20001	Roll Pin	\$0.50
44	47120	Push Rod Axle	\$8.00
45	47137	Load Roller Bracket	\$40.00
46	30024	Bushing	\$2.00
47	58027	Exit Roller (Steel, 11.5 to 12mm Thick)	\$7.00
48	47134	Pivot Axle	\$8.50
49	111257	Load Roller Axle	\$8.50
50	126131	Push Rod Axle	\$8.00

Item	Part No.	Description	List Price
51	27921	Roll Pin	\$0.50
52	47135	See Item 19 part no.119911	
53	20014	See Item 51 part no.27921	
54	47110	Entry Roller Bracket	\$16.00
55	21385	Bolt	\$0.50
56	47151	Sleeve	\$1.50
57	47150	Entry Roller	\$5.00
58	20433	Nut	\$0.50
59	167630	Bearing, 47 mm OD (Newer Style)	\$6.00
	22053	Bearing, Older Style Wheel	\$8.00
60	167605-D	Load Roller Assembly, Red Ultra Poly On Aluminum Hub W/ Bearings, 3-1/4" Dia.	\$38.00
	167605	Load Roller Assembly, Black Ultra Poly On Steel Hub W/ Bearings, 3-1/4" Dia.	\$32.00
	167602	Load Roller Assembly, Nylon W/ Bearings, 3-1/4" Dia.	\$30.00
	167601	Load Roller Assembly, Steel W/ Bearings	\$45.00
	GWK-BTL-LW	Load Wheel Kit, (L 2000 & L 2300) 2 Load Roller Assy W/ Bearings, Axles and Fasteners	\$74.95
61	51805	Bushing	\$2.00
62	110777	Push Rod Axle	\$10.00
63	22128	Roll Pin	\$0.50
64	105369	Exit Roller (Nylon)	\$4.00
65	21385-A	Axle Assembly	\$3.00
	60056	Brake Cable Assembly (up to Series 10)	\$60.00
	150785	Brake Cable Assembly (Series 11)	\$60.00
	177113	Brake Cable Assembly (Series 12)	\$60.00
	109305	Brake Wheel, Poly On Steel	\$60.00

Load Wheel Kit



Brake Parts

