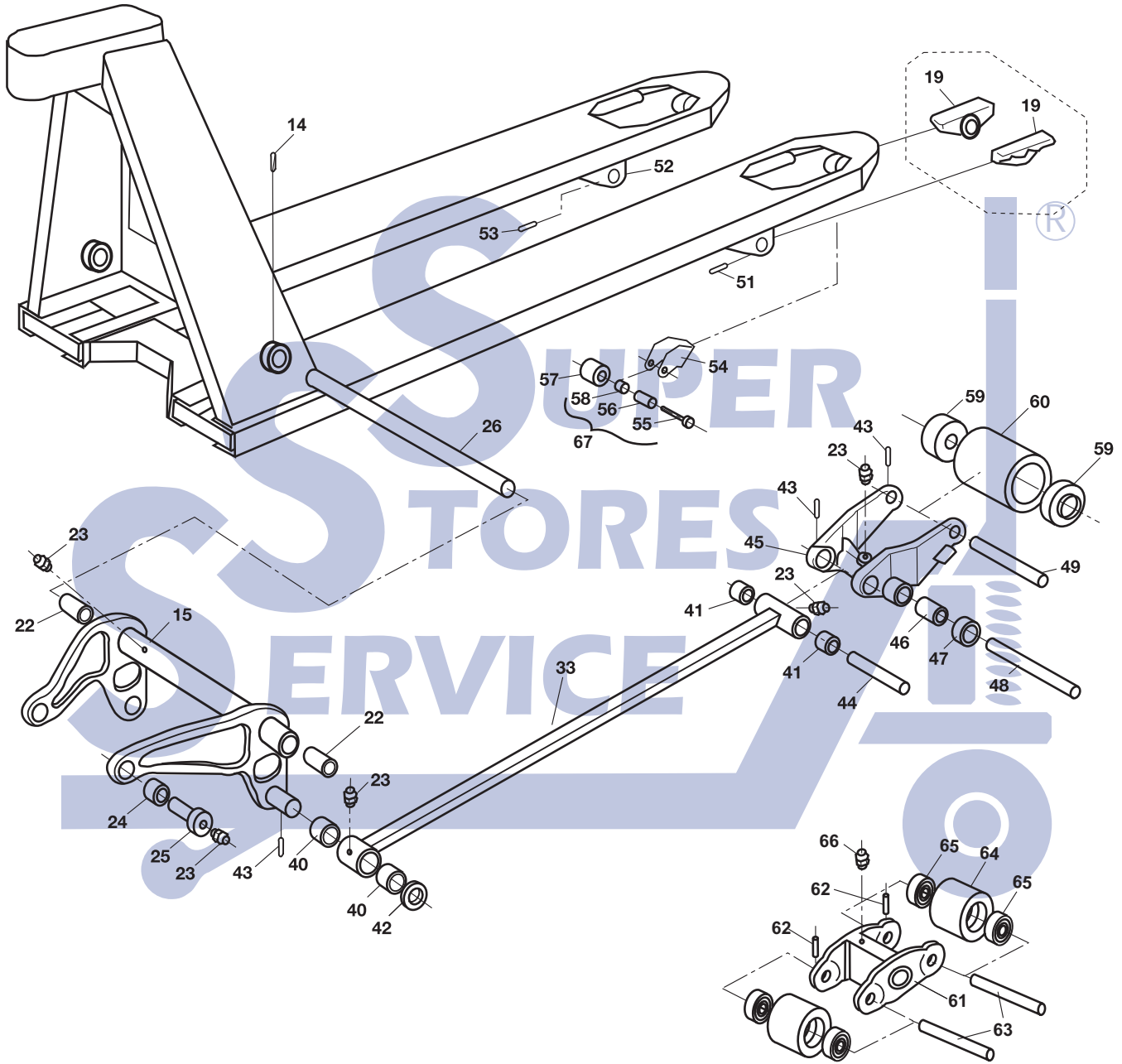


# BT LHM 230 Frame



# BT LHM 230 Frame

Item	Part No.	Description	List Price
14	22128	Roll Pin	\$0.50
15	64183	Lifting Link, 27" Wide Jack	\$79.00
19	47135	Ear-Weldment	\$12.00
22	47167	Bushing	\$3.00
23	27662	Grease Fitting (Press-In)	\$0.50
24	30018	Bushing	\$3.00
25	166701	Shoulder Pin	\$8.00
26	47157	Lifting Link, 27" Wide Jack	\$18.00
33	157213	Push Rods, 48" Forks	\$40.00
40	51805	Bushing	\$2.00
41	47117	Bushing	\$1.00
42	20013	Washer	\$0.50
43	20001	Roll Pin	\$0.50
44	126131	Push Rod Axle	\$8.00
45	149466	Load Roller Bracket	\$40.00
46	51805	Bushing	\$2.00
47	66367	Exit Roller	\$10.00
48	47134	Pivot Axle	\$8.50
49	47133	Load Roller Axle	\$8.50
51	27921	Roll Pin	\$0.50
54	47110	Entry Roller Bracket	\$16.00
55	21385	Bolt	\$0.50
56	47151	Sleeve	\$1.50
57	47150	Entry Roller	\$5.00
58	20433	Nut	\$0.50
59	167630	Bearing, 47 mm OD (Newer Style)	\$6.00
60	167609-D	Load Roller Assembly, Red Ultra Poly On Aluminum Hub W/ Bearings, 2.9" Dia.	\$38.00
	167609	Load Roller Assembly, Black Ultra Poly On Steel Hub W/ Bearings, 2.9" Dia.	\$32.00

Item	Part No.	Description	List Price
60	167600	Load Roller Assembly, Nylon W/ Bearings, 2.9" Dia.	\$30.00
	15881	Load Roller Assembly, Black Ultra Poly On Steel Hub W/ Bearings, 2.9" Dia.	\$32.00
	15881-D-WA	Load Roller Assembly, Red Ultra Poly On Aluminum W/ Bearings, 2.9" Diameter, Wet Application	\$42.00
	15881-WA	Load Roller Assembly, Black Ultra Poly On Steel Hub W/ Bearings, 2.9" Diameter, Wet Application	\$36.00
	55002-A	Load Roller Assy - 2.9" Diameter, Steel	\$45.00
	GWK-BTL-CK	Complete Wheel Kit, (2) Load Roller Assy, (2) Steer Wheel Assy W/ Bearings, Axles and Fasteners	\$124.95
	GWK-BTL-LW	Load Wheel Kit, (L 2000-U & L 2300-U) 2 Load Roller Assy W/ Bearings, Axles and Fasteners	\$74.95
61	179206	Tandem Load Roller Bracket	*\$33.69
62	20001	Roll Pin	\$0.50
63	47162	Load Roller Axle, Tandem	\$10.20
64	167612	Load Roller Assembly, Tandem Black Ultra Poly On Steel	\$30.00
65	167630	Bearing	\$6.00
66	27662	Lube Fitting (Press-In)	\$0.50
67	21385-A	Entry Roller Assembly	\$3.00
	60056	Brake Cable Assembly (up to Series 10)	\$60.00
	150785	Brake Cable Assembly (Series 11)	\$60.00
	177113	Brake Cable Assembly (Series 12)	\$60.00
	109305	Brake Wheel, Poly On Steel	\$60.00

## Load Wheel Kit

