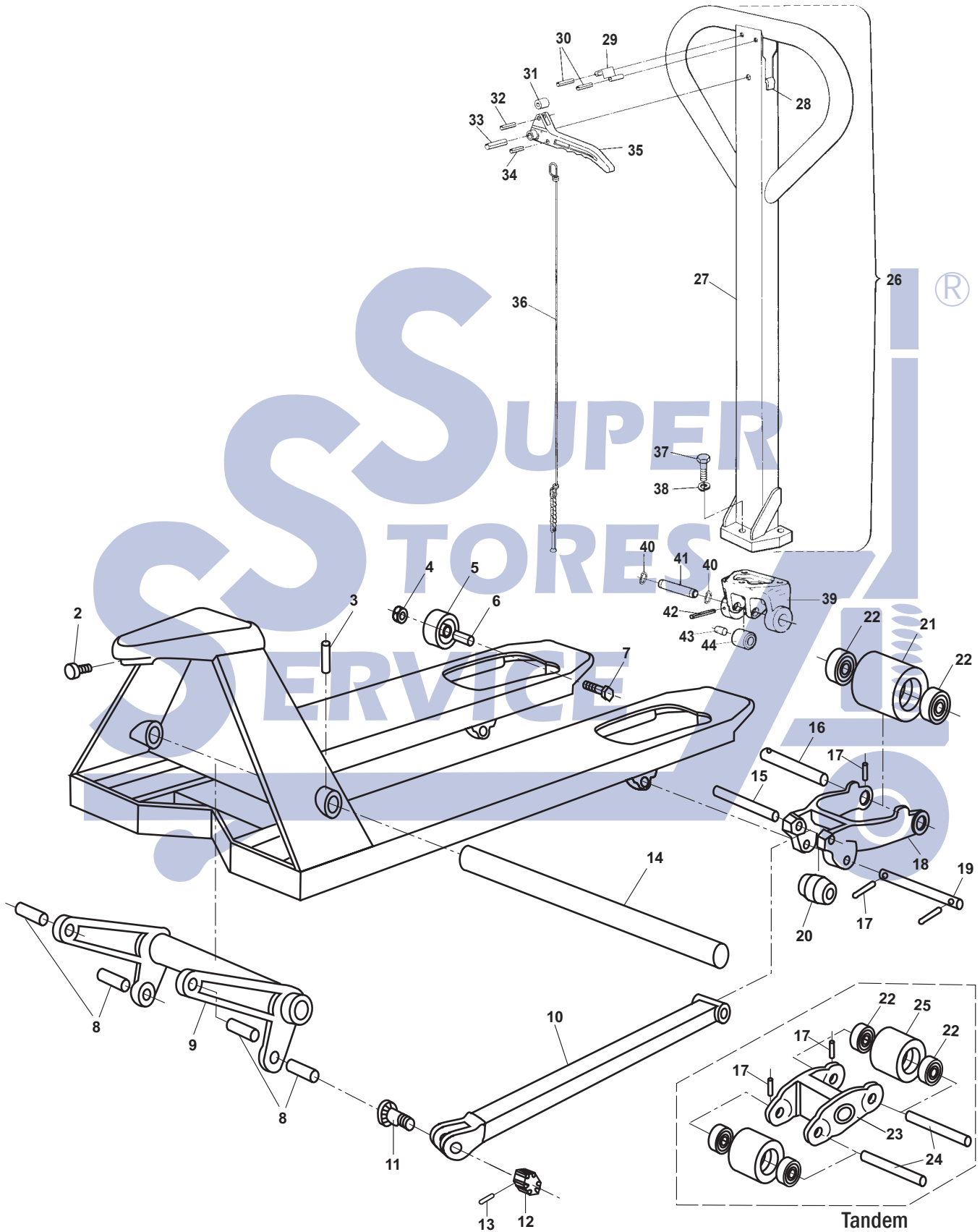


# Hu-Lift HP25L Frame



# Hu-Lift HP25L Frame

Item	Part No.	Description	List Price
2	F103	Hex Socket Screw	\$2.00
3	F104	Roll Pin	\$0.50
4	F106	Nut	\$0.50
5	F108	Entry Roller	\$7.00
6	F109	Sleeve	\$5.00
7	F111	Bolt	\$1.00
8	F102	Bushing	\$2.00
9	F101	Lifting Link Assembly	\$49.00
10	F125	Push Rod	\$59.00
11	F126	Eccentric Pin	\$8.00
12	F123	Nut	\$1.00
13	F124	Split Pin	\$1.00
14	F105	Lifting Link Shaft	\$20.00
15	F122	Push Rod Axle	\$12.00
16	F121	Load Wheel Axle	\$8.00
17	F112	Roll Pin	\$0.50
18	F120	Load Roller Bracket (Single)	\$34.00
19	F118	Axle	\$10.00
20	F119	Roller	\$7.00
21	F117B-A	Load Roller Assembly, Black Ultra Poly On Steel Hub W/ Bearings, 2-3/4" Dia.	\$32.00
	F117A-A	Load Roller Assembly, Nylon W/ Bearings, 2-3/4" Dia.	\$30.00
22	F115	Bearing	\$5.00
23	F113	Load Roller Bracket (Tandem)	\$30.00
24	F114	Load Roller Axle	\$10.00

Item	Part No.	Description	List Price
25	F116B-A	Load Roller Assy (Tandem) , Black Ultra Poly On Steel Hub W/ Bearings, 2.9" Dia.	\$38.00
	F116A-A	Load Roller Assembly (Tandem), Nylon W/ Bearings, 2-3/4" Dia.	\$30.00
26	H101-A	Handle Assembly, (Incl. Items 27 through 36)	\$49.00
27	H101	Handle (See Item 26)	see Item 26
28	H108	Rubber Cushion	\$4.00
29	H103	Handle Spring (Newer Version)	\$3.00
30	H104	Roll Pin (Newer Version)	\$0.50
31	H111	Nylon Roller	\$3.00
32	H105	Roll Pin (Newer Version)	\$0.50
33	H102	Roll Pin	\$0.50
34	H112	Roll Pin	\$0.50
35	H106	Control Lever	\$10.00
36	H107	Rod and Chain	\$24.00
37	H109	Handle Bolt	\$1.00
38	H110	Lock Washer	\$0.50
39	103	Handle Bracket	\$39.00
	103-A	Bracket Assy	\$49.00
40	108	Snap Ring	\$1.00
41	107	Shaft	\$8.00
42	106	Roll Pin	\$0.50
43	105	Bushing	\$2.00
44	104	Steel Roller	\$10.00