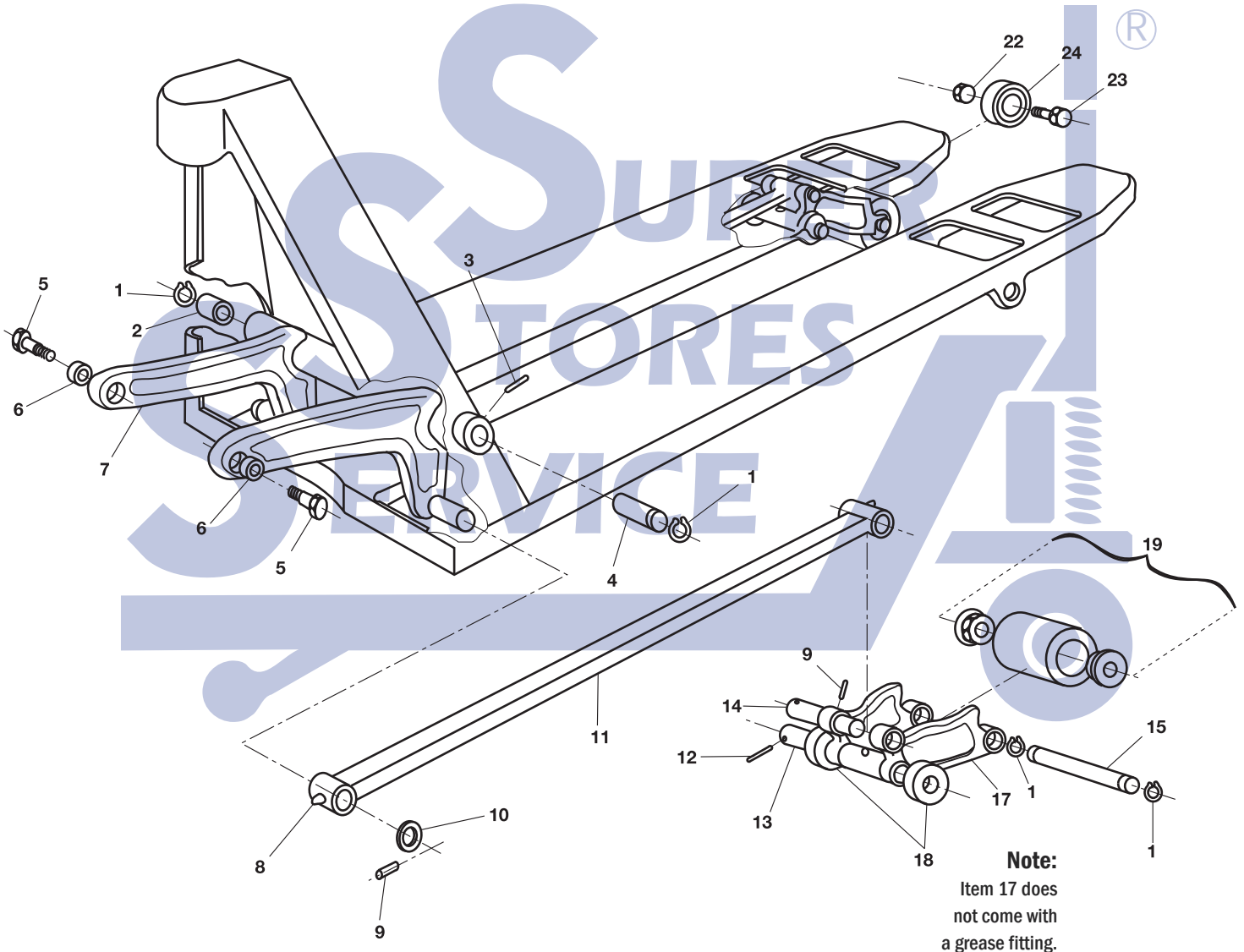


Interthor K77 and K85 Frame



Note:
 Item 17 does
 not come with
 a grease fitting.

Interthor K77 and K85 Frame

Item	Part No.	Description	List Price
1	435.0015	Snap Ring	\$0.50
2	524.5040	Bushing	\$2.00
3	427.0440	Roll Pin	\$0.50
4	140.5153	Lifting Link Pins (Pair), 27" Wide Jack	\$15.00
5	140.5229	Shoulder Bolt	\$7.00
6	524.0014	Bushing	\$2.00
7	130.5156	Lifting Link, 27" Wide Jack	Not Available
8	640.0002	Grease Fitting (Threaded)	\$0.50
9	427.0102	Roll Pin	\$0.50
10	140.5098	Washer	\$0.50
11	130.5086-D	Push Rod, 48" Forks	Not Available
12	427.6127	Roll Pin	\$0.50

Item	Part No.	Description	List Price
13	140.5095	Pivot Axle	\$12.00
14	140.5099	Push Rod Axle	\$12.00
15	140.5094	Load Roller Axle	\$12.00
17	130.5068	Load Roller Bracket	\$40.00
18	140.5101	Exit Roller	\$8.00
19	140.5234-A	Load Roller Assembly, Black Ultra Poly On Steel Hub W/ Bearings	\$32.00
	140.5233-A	Load Roller Assembly, Nylon W/ Bearings	\$36.00
	140.5235-A	Load Roller Assembly, Steel W/ Bearings	\$59.00
22	410.0004	Nut	\$0.50
23	300.0039	Bolt	\$1.00
24	140.5172	Entry Roller	\$7.00