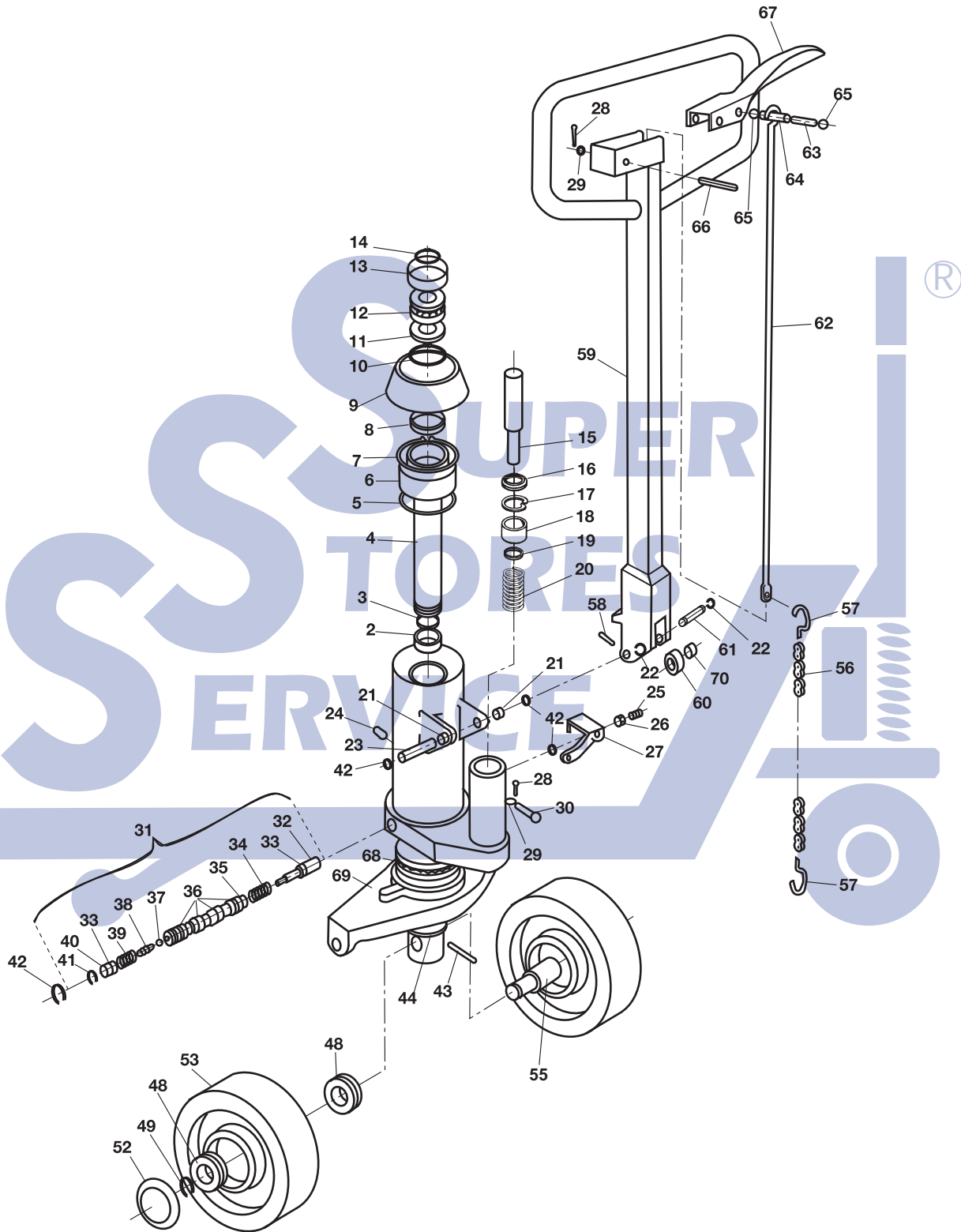


# Interthor K77 and K85 Hydraulic Unit



# Interthor K77 and K85 Hydraulic Unit

Item	Part No.	Description	List Price
2	A 605.5080	U-Cup	\$18.00
3	A 140.6017	Nylon Bushing	\$7.00
4	140.6014	Ram	\$49.00
5	A 600.5028	O-Ring	\$3.00
6	140.6001	Bushing	Not Available
7	430.0034	Snap Ring	\$2.00
8	A 611.0020	Scraper	\$8.00
9	140.6035	Cover	Not Available
10	430.0029	Snap Ring	\$4.00
11	140.5111	Thrust Collar	\$10.00
12	518.0015	Thrust Bearing	\$12.00
13	140.5110	Bushing	\$14.00
14	435.0021	Snap Ring	\$2.00
15	140.6460	Piston	\$30.00
16	A 610.0006	Scraper	\$12.00
17	430.0070	Snap Ring	\$2.00
18	140.6461	Bushing	\$17.50
19	A 606.0010	U-Cup	\$12.00
20	A 140.6470	Handle Return Spring	\$6.00
21	524.0014	Bushing	\$2.00
22	435.0008	Snap Ring	\$1.00
23	140.6420	Handle Pin	\$12.00
24	630.2002	Filler Plug	\$4.50
25	315.0650	Set Screw	\$1.00
26	400.0003	Nut	\$0.50
27	130.6465	Release Lever	\$34.00
28	450.0020	Cotter Pin	\$0.50
29	415.0004	Washer	\$0.50
30	452.0032	Pin	\$8.00
31	140.6478	Valve Assembly	\$75.00
32	140.6458	Plunger	\$9.00
33	A 600.0002	O-Ring	\$2.00
34	A 140.6471	Spring	\$2.00
35	130.6456	Valve Housing	\$60.00
36	A 600.0008	O-Ring	\$2.00
37	A 549.0018	Ball	\$2.00

Item	Part No.	Description	List Price
38	140.6459	Pin	\$12.00
39	A 140.6439	Spring	\$1.00
40	140.6457	Plug	\$10.00
41	430.0000	Snap Ring	\$1.00
42	435.0012	Snap Ring	\$0.50
43	427.0165	Roll Pin	\$0.50
44	435.0025	Snap Ring	\$0.50
48	512.0035	Bearing	\$5.00
49	435.0015	Snap Ring	\$0.50
52	140.5070	Hub Cap	\$3.00
53	130.5179-A	Steer Wheel Assembly, Poly On Nylon	\$38.00
		Hub W/ Bearings	
	140.6149-A	Steer Wheel Assembly, Nylon	\$36.00
		W/ Bearings	
	150.0000-A	Steer Wheel Assembly, Steel	\$59.00
		W/ Bearings	
55	140.6050	Steer Wheel Axle	\$18.00
56	140.6479	Chain	\$10.00
57	140.6416	Hook	\$5.00
58	427.0065	Roll Pin	\$0.50
59	130.6476	Handle Assembly	Not Available
60	143.0005	Roller	Not Available
61	140.6414	Pin	\$8.00
62	140.6474	Control Rod	\$18.00
63	140.6472	Spring	\$4.00
64	140.6473	Sleeve	\$2.00
65	549.0025	Ball	\$1.00
66	452.0025-R	Roll Pin	\$0.50
67	130.6467	Control Lever	Not Available
68	518.0022	Traverse Bearing	\$12.00
69	130.5133	Traverse	Not Available
70	524.0008	Bushing	\$2.00
KITS	A K-77	Complete Seal Kit	\$42.00
	HU IN K77	Rebuilt Hydraulic Unit - Exchange	*\$139.00