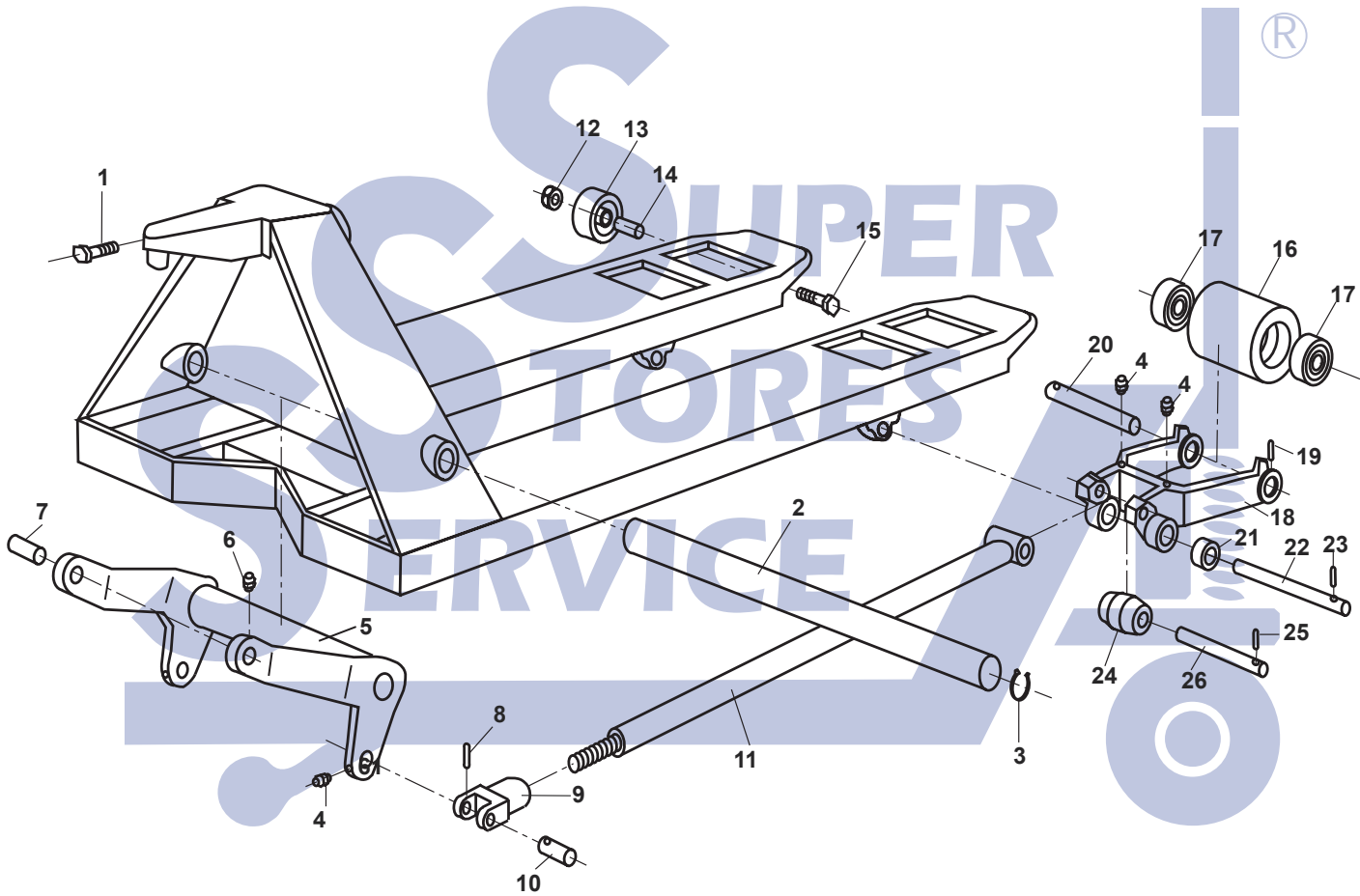


Mobile ECO I-55 Frame



Mobile ECO I-55 Frame

Item	Part No.	Description	List Price
1	120E42	Bulkhead Bolt	\$0.50
2	120E20	Bell Crank Shaft	\$20.00
3	120E21	Locking Ring	\$1.00
4	120E15	Grease Fitting (Threaded)	\$0.50
5	120E43	Lifting Link, 27" Wide Jack	*\$49.00
6	120E22	Oiler	\$1.00
7	120E14	Bell Crank Pin	\$3.00
8	120E16	Roll Pin	\$0.50
9	120E17	Joint	\$10.00
10	120E18	Joint Pin	\$3.00
11	120E19	Push Rod	\$40.00
12	120E39	Nut	\$0.50
13	120E38	Entry Roller	\$5.00
14	120E37	Sleeve	\$1.50
15	120E36	Bolt, Front Guide Roller	\$0.50

Item	Part No.	Description	List Price
16	120E35-A-D	Load Roller Assembly, Red Ultra Poly On Aluminum Hub W/ Bearings, 20 mm Bearing ID	\$38.00
	120E35-A	Load Roller Assembly, Black Ultra Poly On Steel Hub W/ Bearings, 20 mm Bearing ID	\$32.00
	120E35N-A	Load Roller Assembly, Nylon W/ Bearings, 20 mm Bearing ID	\$30.00
	120E35S-A	Load Roller Assembly, Steel W/ Bearings	\$45.00
	GWK-ECO-LW	Load Wheel Kit, Includes (2) Load Roller Assemblies W/ Bearings, Axles and Fasteners	\$74.95
17	120E9	Bearing	\$5.00
18	120E31	Hanger Bracket	\$24.00
19	120E30	Roll Pin	\$0.50
20	120E29	Roller Axle	\$8.00
21	120E28	Rear Guide Roller	\$3.00
22	120E26	Hanger Axle	\$8.50
23	120E27	Roll Pin	\$0.50
24	120E23	Exit Roller	\$3.00
25	120E24	Roll Pin	\$0.50
26	120E25	Push Rod Axle	\$8.00

Load Wheel Kit

