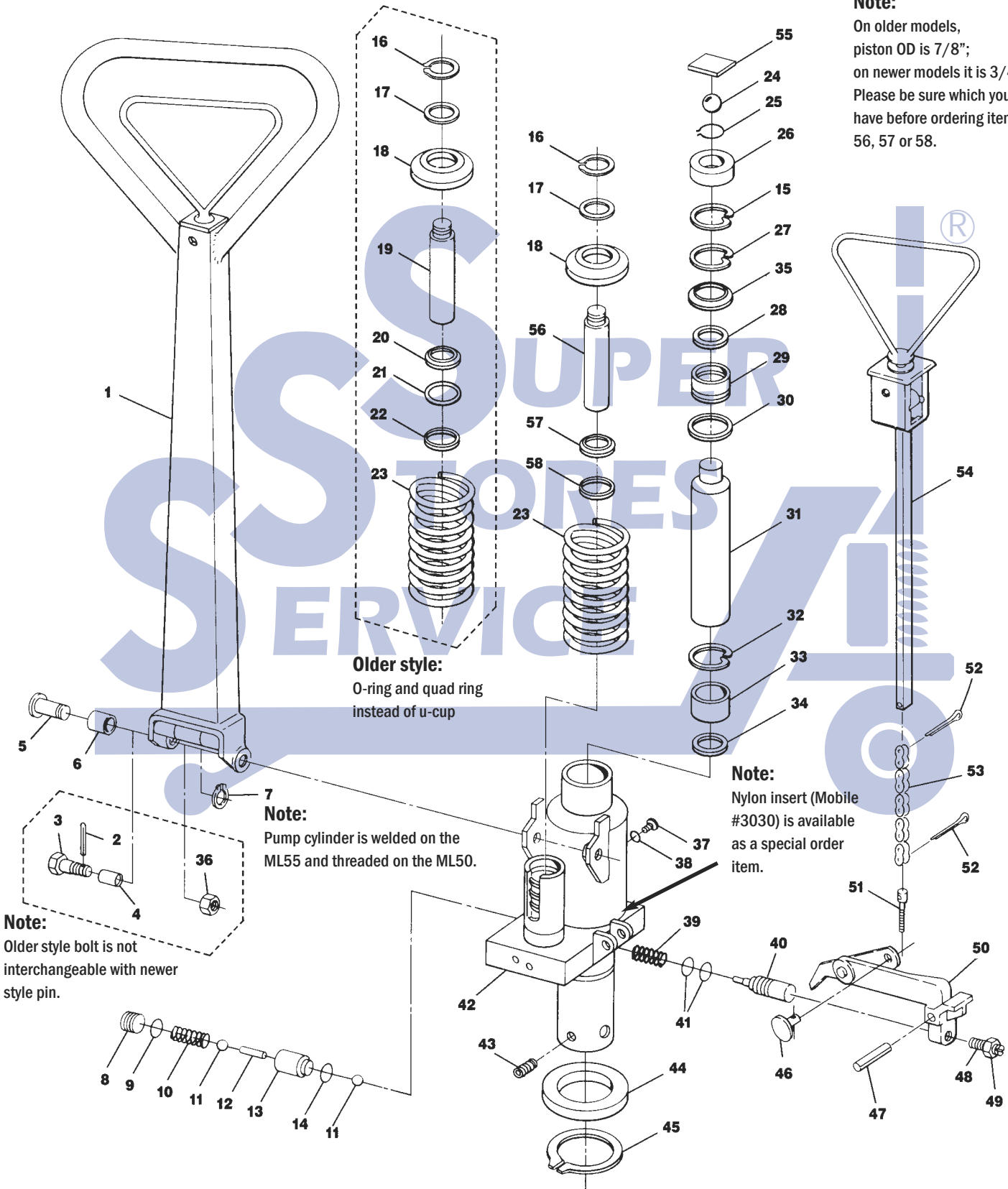


# Mobile ML55, ML45 Mini & Miney Hydraulic Unit

**Note:**  
On older models, piston OD is 7/8"; on newer models it is 3/4". Please be sure which you have before ordering items 56, 57 or 58.



# Mobile ML55, ML45 Mini & Miney Hydraulic Unit

Item	Part No.	Description	List Price
1	3022-1	Handle Assembly (Newer Style, Uses Pin)	\$79.00
2	2037	Roll Pin	\$0.50
3	2034	Handle Bolt	\$6.00
4	2035	Bushing	\$2.00
5	2034-1	Handle Pin	\$5.00
6	606	Bushing	\$2.00
7	3027	Snap Ring	\$0.50
8	A 3004	Screw Plug	\$5.00
9	A B 3003	O-Ring	\$3.00
10	A B 2023	Spring	\$2.00
11	A B 2022	Ball	\$1.00
12	A B 3002	Roll Pin	\$0.50
13	A 3000	Valve	\$18.00
14	A B 3001	O-Ring	\$1.00
15	3031	Snap Ring	\$2.00
16	2050	Snap Ring	\$1.00
17	2051	Washer	\$0.50
18	2052	Spring Cap	\$12.00
19	3019	Piston, 7/8" OD (Older Style)	\$42.00
20	A B 2017	Scraper, 7/8" ID (Older Style)	\$10.00
21	A B 2015	O-Ring	\$1.50
22	A B 3020	Quad Ring	\$4.00
23	3021	Spring	\$12.00
24	1997	Ball	\$2.50
25	1998	Snap Ring	\$0.50
26	1999	Bearing	\$10.00
27	2047	Snap Ring	\$1.00
28	A B 2002	O-Ring	\$6.00
29	2003	Bushing	\$30.00
30	A B 2004	O-Ring	\$5.00
31	2000C	Ram (Universal Older and Newer)	*\$59.00
32	1995	Snap Ring	\$2.00
33	1993	Bushing 1-1/2" (Older Style)	\$10.00
	1993-1	Bushing 1/2" (Newer Style)	\$18.00

Item	Part No.	Description	List Price
34	A B 2007	U-Cup	\$12.00
35	A B 1994	Scraper	\$10.00
36	2036	Nut	\$0.50
37	2005	Filler Plug	\$1.00
38	A B 2006	O-Ring	\$2.00
39	A B 2028	Spring	\$2.00
40	2029	Release Pin	\$12.00
41	A B 2030	O-Ring	\$3.00
42	HU MO ML55	Rebuilt Hydraulic Unit, Exchange	*\$139.00
43	2053	Set Screw	\$0.50
44	2010	Traverse Bearing	\$14.00
45	2008	Snap Ring	\$1.00
46	3016	Chain Connector Pin	\$5.00
47	2031	Roll Pin	\$0.50
48	2026	Adjusting Screw	\$0.50
49	2025	Nut	\$0.50
50	3015	Release Lever	*\$33.00
51	3014	Chain Connector	\$5.00
52	303	Cotter Pin	\$0.50
53	3017	Chain	\$8.00
54	3018-1	Control Rod	\$38.00
55	1996	Plate	\$5.00
56	3019	Piston, 7/8" OD (Older Style)	\$42.00
	3075	Piston, 3/4" OD (Newer Style)	\$42.00
57	A B 2017	Scraper, 7/8" ID (Older Style)	\$10.00
	A B 3077	Scraper, 3/4" ID (Newer Style)	\$5.00
58	A B 3020-1	U-Cup, 7/8" ID (Older Style)	\$6.00
	A B 3076	U-Cup, 3/4" ID (Newer Style)	\$4.00
KITS	A 3025-SUPER	Super Seal Kit	\$48.00
KITS	B 3025	Seal Kit	\$32.00
	HU MO ML55	Rebuilt Hydraulic Unit - Exchange	*\$139.00