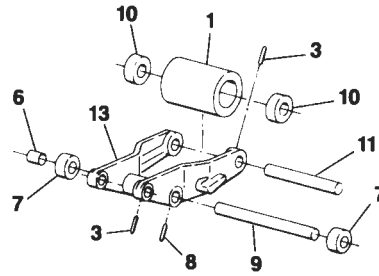


Mobile ML55 Frame

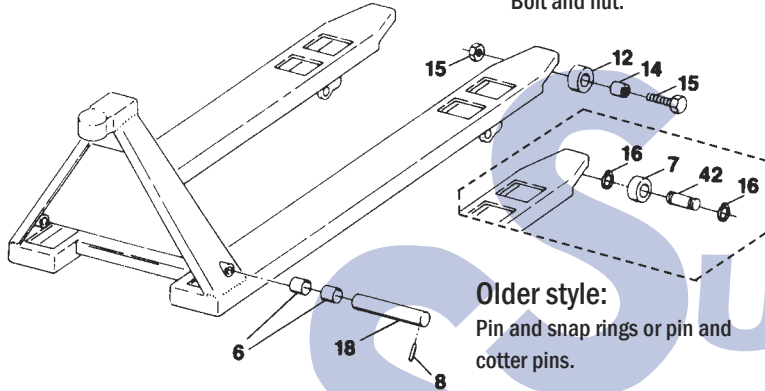
Before you order:

The manufacturer has made several random changes that require you to look very closely at these drawings and your pallet jack. Check our notes to identify the parts you need.

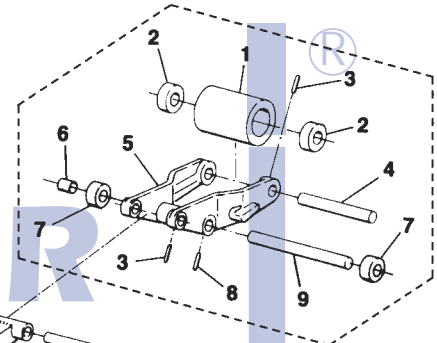


Newer style:
Bearing ID is
20mm = .787"

Newer style:
Bolt and nut.



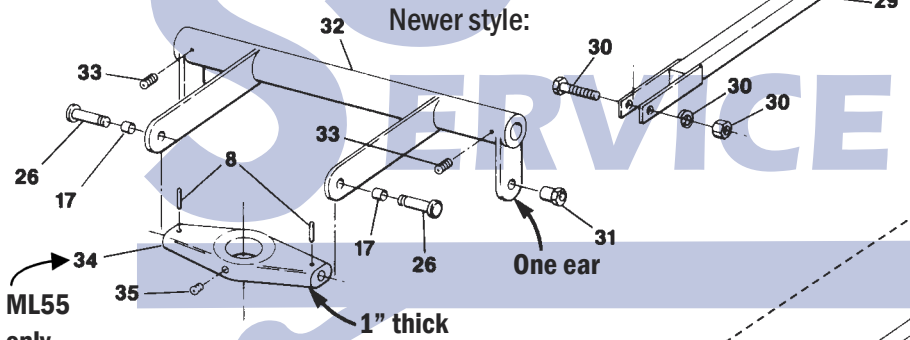
Older style:
Pin and snap rings or pin and
cotter pins.



Older style:
Bearing ID is 3/4" = .750"

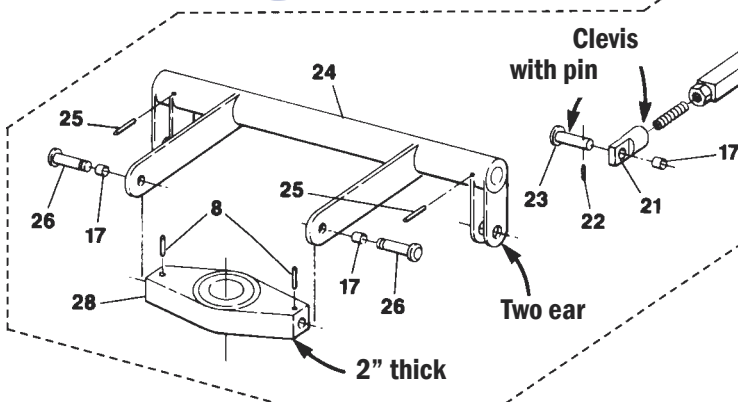
Note:

The load roller bracket, item 5, is no longer available from the OEM. Replace item 5 with item 13 (20mm bearing ID).



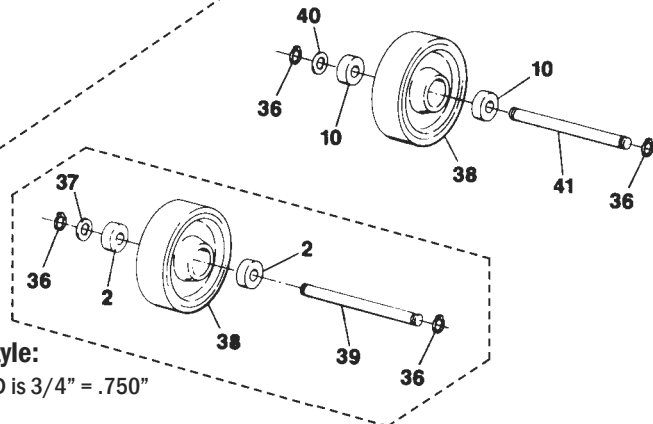
ML55
only

Older style:



Newer style:
Bearing ID is
20mm = .787"

Older style:
Bearing ID is 3/4" = .750"



Mobile ML55 Frame

Item	Part No.	Description	List Price
1	203/210-A-D	Load Roller Assembly, Red Ultra Poly On Aluminum Hub W/ Bearings, 3/4" ID Bearing	\$38.00
	203/210-A	Load Roller Assembly, Black Ultra Poly On Steel Hub W/ Bearings, 3/4" ID Bearing	\$32.00
	204/210-A	Load Roller Assembly, Nylon W/ Bearings, 3/4" ID Bearing	\$30.00
	200/210-A	Load Roller Assembly, Steel W/ Bearings, 3/4" ID Bearing	\$45.00
	203/210-1-A	Load Roller Assembly, Red Ultra Poly On Aluminum Hub W/ Bearings, 20mm ID Bearings	\$38.00
	203/210-1-A-S	Load Roller Assembly, Black Ultra Poly On Steel Hub W/ Bearings, 20mm ID Bearings	\$32.00
	204/210-1-A	Load Roller Assembly, Nylon W/ Bearings, 20mm ID Bearing	\$30.00
	200/210-1-A	Load Roller Assembly, Steel W/ Bearings, 20mm ID Bearing	\$45.00
	GWK-ML55-LW	Load Wheel Kit, Incl. (2) Load Roller Assy W/ Bearings, Axles and Fasteners	\$74.95
	203M-A	Load Roller Assembly, Black Ultra Poly On Steel Hub W/ Bearings, 2" Diameter	\$32.00
	M200-S-A	Load Roller Assembly, Steel W/ Bearings, 2" Diameter	\$45.00
2	210	Bearing, 3/4" ID	\$5.00
3	404	Roll Pin	\$0.50
4	211	Load Roller Axle	\$8.00
5	400	Load Roller Bracket, Replace W/ Item 13	Not Available
6	610	Bushing	\$2.00
7	402	Entry or Exit Roller	\$5.00
8	609	Roll Pin	\$0.50
9	214	Pivot Axle	\$8.00
10	210-1	Bearing	\$5.00
11	211-1	Load Roller Axle	\$8.00
12	300	Entry Roller	\$5.00
13	400-1	Load Roller Bracket (Newer Style)	\$40.00
14	311	Bushing	\$3.00
15	310	Bolt and Nut	\$1.00
16	2050	Snap Ring	\$1.00
	303	Cotter Pin	\$0.50
17	606	Bushing	\$2.00
18	611	Lifting Link Shaft (Older Style)	\$12.00
	611-1	Lifting Link Shaft (Newer Style)	\$8.00

Item	Part No.	Description	List Price
19	515	Push Rod Axle	\$8.00
20	500	Push Rod, 36" Forks	Special Order
	501	Push Rod, 42" Forks	Special Order
	502	Push Rod, 48" Forks	\$40.00
21	520	Clevis	\$22.00
22	404	Roll Pin	\$0.50
23	512	Pin	\$6.00
24	650	Lifting Link, 20-1/2" Wide Jack	Special Order
	651	Lifting Link, 27" Wide Jack	Special Order
25	612	Roll Pin	\$0.50
26	605	Shoulder Pin	\$6.00
28	2009	Traverse	Not Available
29	505	Push Rod, 48" Forks (Newer Style)	\$49.00
30	526	Bolt, Nut and Washer	\$1.00
31	525	Eccentric	\$10.00
32	655	Lifting Link, 20-1/2" Wide Jack	Special Order
	656	Lifting Link, 27" Wide Jack	Special Order
33	2053	Set Screw	\$0.50
34	657	Traverse (ML 55 Only)	Special Order
35	658	Grease Fitting	\$1.00
36	2050	Snap Ring	\$1.00
37	103	Washer	\$0.50
38	101/210-A-HD	Steer Wheel Assembly, Red Ultra Poly On Aluminum Hub W/ Bearings, 3/4" ID Bearing	\$55.00
	101/210-A-ST	Steer Wheel Assembly, Poly On Nylon Hub W/ Bearings, 3/4" ID Bearing	\$38.00
	100/210-A	Steer Wheel Assembly, Steel W/ Bearings, 3/4" ID Bearing	\$59.00
	101/210-1-A-HD	Steer Wheel Assembly, Red Ultra Poly On Aluminum Hub W/ Bearings, 20mm ID Bearings	\$55.00
	101/210-1-A-ST	Steer Wheel Assembly, Poly On Nylon Hub W/ Bearings, 20mm ID Bearings	\$38.00
	100/210-1-A	Steer Wheel Assembly, Steel W/ Bearings, 20mm ID Bearing	\$59.00
	GWK-ML55-CK	Complete Wheel Kit, Incl. (2) Load Rollers, (2) Steer Wheels W/ Bearings, Axles and Fasteners	\$124.95
39	104	Steer Wheel Axle, 3/4" Diameter	\$12.00
40	103-1	Washer	\$0.50
41	104-1	Steer Wheel Axle, 20mm Diameter	\$12.00
42	302	Pin	\$5.00