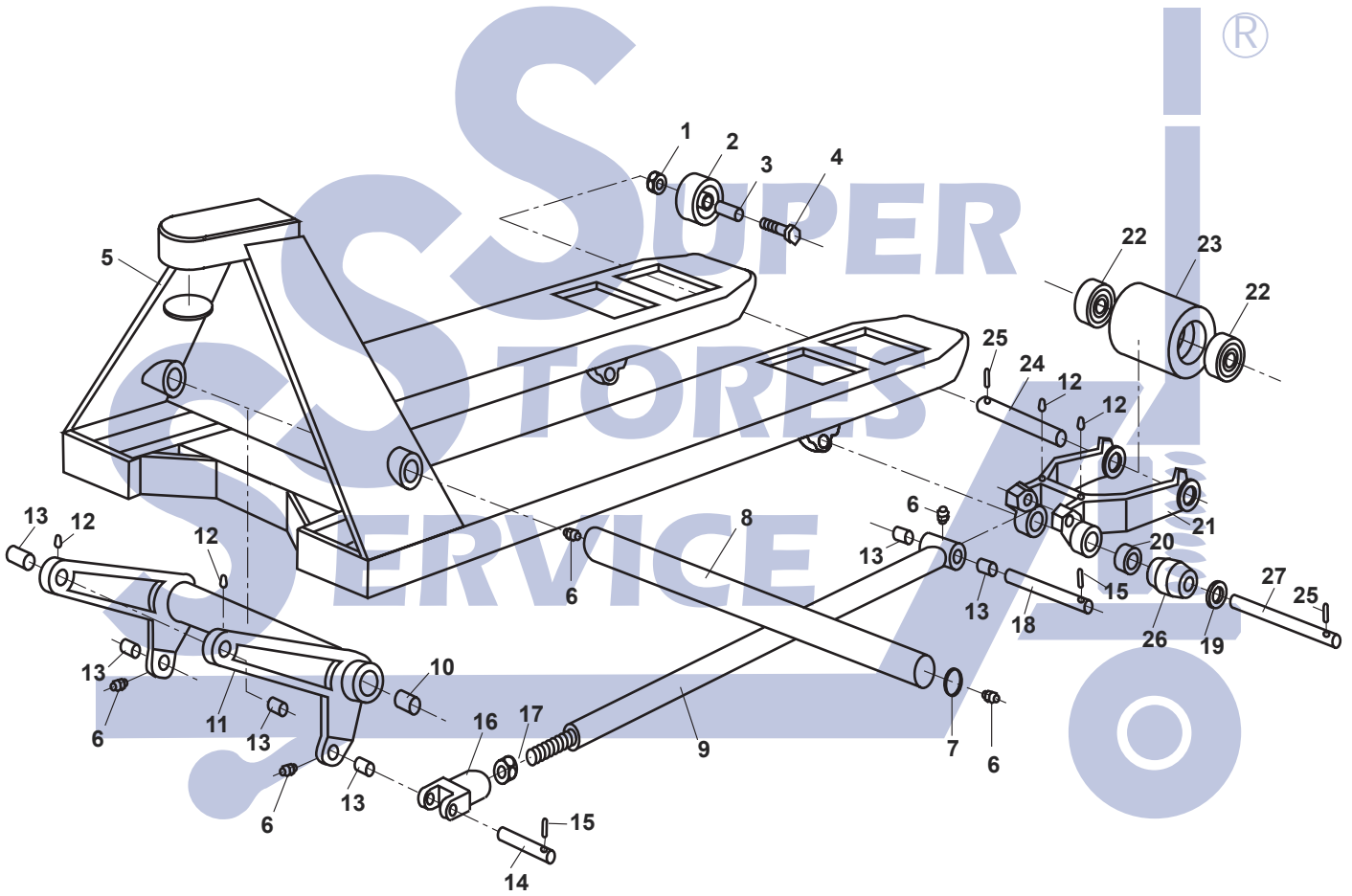


Mobile MLX55 Frame



Mobile MLX55 Frame

| Item | Part No. | Description | List Price |
|------|----------|--------------------------------|---------------|
| 1 | 120X405 | Nut | \$0.50 |
| 2 | 120X402 | Entry Roller | \$5.00 |
| 3 | 120X311 | Sleeve | \$1.50 |
| 4 | 120X310 | Bolt | \$0.50 |
| 5 | 12X1996 | Spacer Plate | \$5.00 |
| 6 | 120X659 | Grease Fitting (Threaded) | \$0.50 |
| 7 | 120X613 | Retaining Ring | \$1.00 |
| 8 | 120X618 | Bell Crank Shaft | \$20.00 |
| 9 | 120X502 | Push Rod, 32" Forks | Special Order |
| | 120X503 | Push Rod, 36" Forks | Special Order |
| | 120X504 | Push Rod, 42" Forks | Special Order |
| | 120X505 | Push Rod, 48" Forks | \$49.00 |
| 10 | 120X616 | Bushing | \$4.00 |
| 11 | 120X655 | Bell Crank, 20-1/2" Fork Width | Special Order |
| | 120X656 | Bell Crank, 27" Fork Width | \$99.00 |
| 12 | 120X658 | Oiler Fitting | \$1.00 |
| 13 | 120X606 | Bushing | \$3.00 |
| 14 | 120X526 | Pivot Pin | \$3.00 |

| Item | Part No. | Description | List Price |
|------|--------------|---|------------|
| 15 | 120X607 | Roll Pin | \$0.50 |
| 16 | 120X520 | Clevis | \$10.00 |
| 17 | 120X521 | Nut | \$4.00 |
| 18 | 120X515 | Push Rod Pin | \$8.00 |
| 19 | 120X614 | Exit Roller | \$3.00 |
| 20 | 120X615 | Bushing | \$2.00 |
| 21 | 120X400 | Load Roller Bracket | \$40.00 |
| 22 | 120X210 | Bearing | \$5.00 |
| 23 | 120X205-A-D | Load Roller Assembly, Red Ultra Poly On Aluminum Hub W/ Bearings | \$38.00 |
| | 120X205-A | Load Roller Assembly, Black Ultra Poly On Steel Hub W/ Bearings | \$32.00 |
| | GWK-MLX55-LW | Load Wheel Kit, Incl. (2) Load Roller Assemblies W/ Bearings, Axles and Fasteners | \$74.95 |
| 24 | 120X211 | Load Wheel Axle | \$8.00 |
| 25 | 120X608 | Roll Pin | \$0.50 |
| 26 | 120X407 | Exit Roller | \$3.00 |
| 27 | 120X214 | Bracket Axle | \$8.50 |

Load Wheel Kit



*Non-discounting item

Prices subject to change without notice. All manufacturers' names, part numbers and descriptions are used for reference purposes only. We do not imply that any parts are the products of a particular manufacturer. Copyright © 2008 by GPS, Inc. All rights reserved.