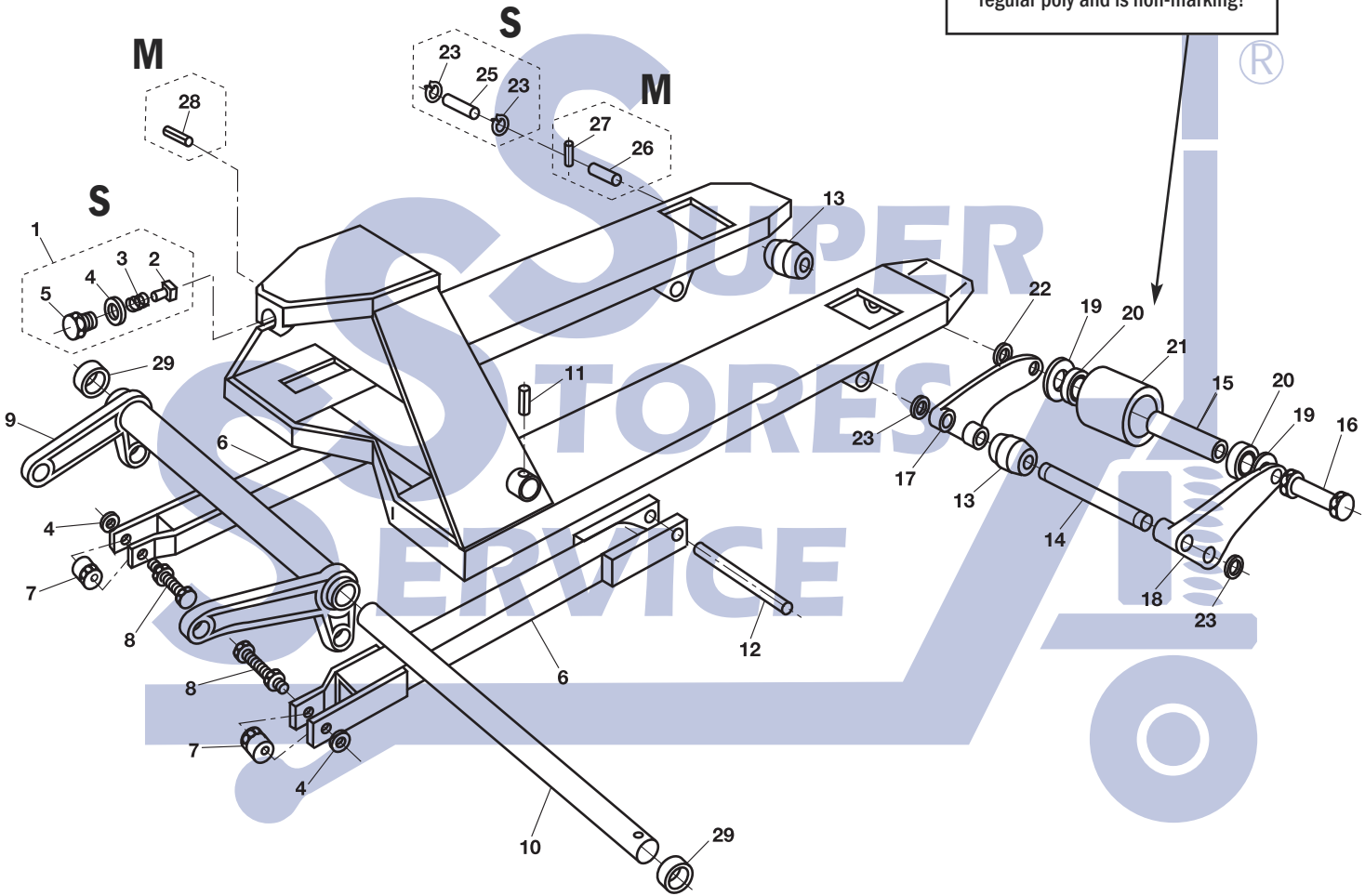


Multiton M and S Frame

Upgraded Load Rollers Available!
 Ultra-Poly is a poly that is very hard, but won't shatter like nylon. Ultra-Poly is easier to roll than regular poly and is non-marking!



Key differences:

Frame -

Model M hydraulic unit is attached to the frame with a roll pin. Model S uses a bolt and locking stud.

Entry Rollers -

Model M uses roll pins to attach the entry rollers. Model S uses snap rings.

Multiton M and S Frame

Item	Part No.	Description	List Price
1	MU 23126-A	Locking Stud Assembly	\$6.50
2	MU 23126	Locking Stud	\$4.00
3	MU 20440	Spring	\$1.50
4	MU 0560002	Lock Washer	\$0.50
5	MU 23125	Bolt	\$3.00
6	MU 20208-9	Push Rod, 48" Forks	\$40.00
7	MU 20204	Eccentric	\$10.00
8	MU 190070	Bolt and Nut	\$2.00
9	MU 20639-20	Lifting Link, 20" Wide Jack	\$40.00
	MU 20639-27	Lifting Link, 27" Wide Jack	Not Available
10	MU 90150	Lifting Link Shaft, 27" Wide Jack	\$18.00
11	MU 05759016	Roll Pin	\$0.50
12	MU 19991	Push Rod Axle	\$10.00
13	MU 90350	Entry Roller	\$5.00
14	MU 19994	Pivot Axle	\$10.00
15	MU 41118	Sleeve (Single)	\$6.00
	MU 20724	Sleeve (Tandem)	\$6.00
16	MU 190076	Axle Bolt and Lock Nut	\$4.00
17	MU 20163-11	Load Roller Bracket (Left)	\$20.00
18	MU 20163-12	Load Roller Bracket (Right)	\$20.00

Item	Part No.	Description	List Price
19	MU 18968	Washer	\$1.00
20	MU 06450071	Bearing	\$5.00
21	MU 325-P-D	Load Roller Assembly, Red Ultra Poly On Aluminum Hub W/ Sleeve, Bearings and Washers	\$38.00
	MU 325-P	Load Roller Assembly, Black Ultra Poly On Steel Hub W/ Sleeve, Bearings and Washers	\$32.00
	MU 90320	Load Roller Assembly, Nylon W/ Sleeve, Bearings and Washers	\$36.00
	MU 325-S	Load Roller Assembly, Steel W/ Sleeve, Bearings and Washers	\$52.00
	MU 325-TP	Tandem Load Roller Assembly, Poly On Steel W/ Bearings	\$38.00
22	MU 0560002	Lock Washer	\$0.50
23	MU 06259059	Snap Ring	\$0.50
25	MU 20260	Pin	\$8.00
26	MU 25172	Pin	\$6.00
27	MU 192117	Roll Pin	\$0.50
28	MU 05750211	Roll Pin	\$0.50
29	MU 90152-11	Bushing	\$6.00

Common Question

Should a Push Rod for 48" Forks be 48" Long?

No, a push rod averages 10 inches shorter than the length of the fork. For example with item 6 above, the Multiton 20208-9 push rod for 48" forks is actually about 38" long.