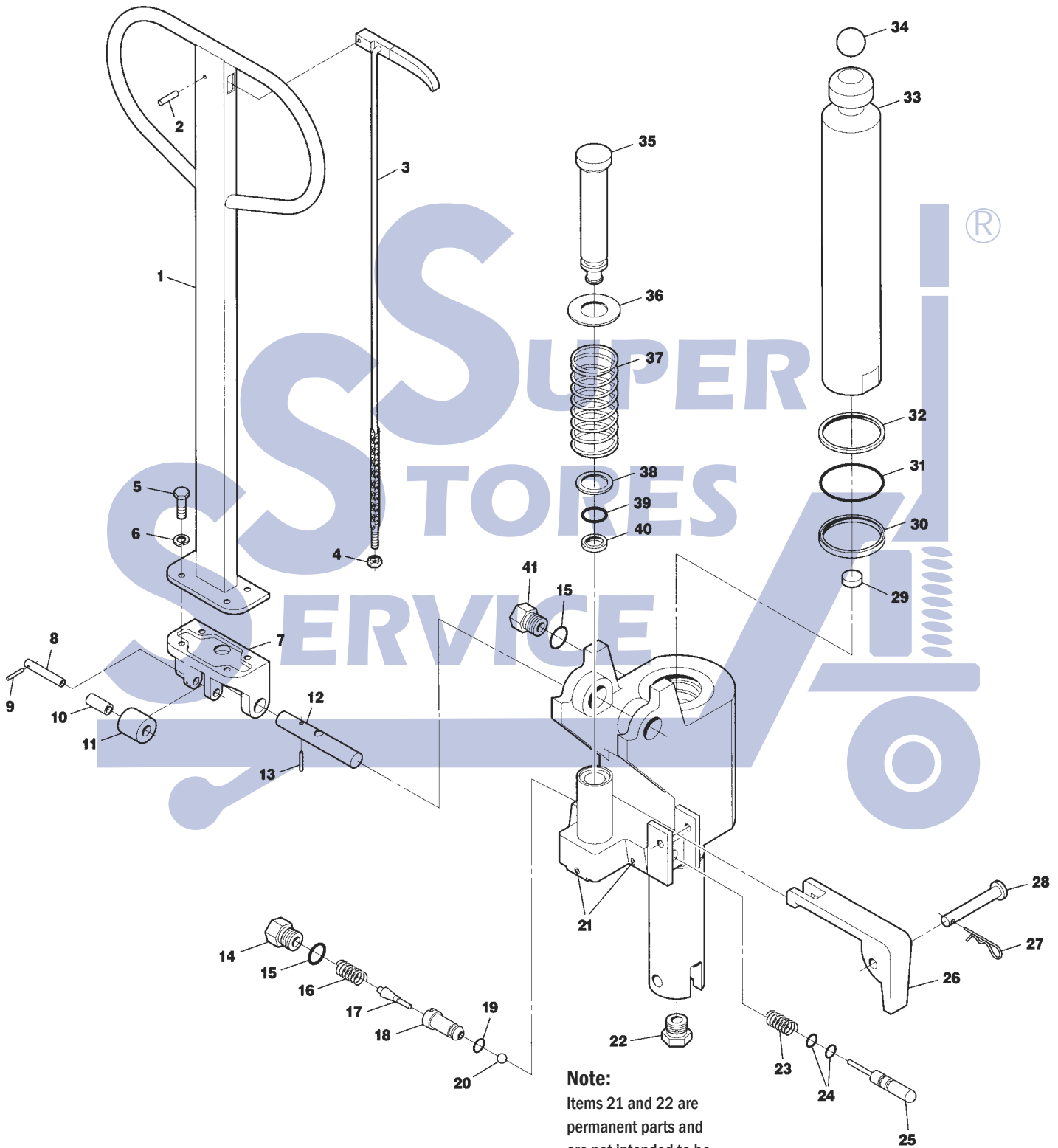


Pallet Mule AA5000 and AA5500 Hyd. Unit



Note:
Items 21 and 22 are permanent parts and are not intended to be removed.

Pallet Mule AA5000 and AA5500 Hyd. Unit

Item	Part No.	Description	List Price
1	AA-68-Complete	Handle Assembly, Complete	\$49.00
2	AA-70	Roll Pin	\$0.50
3	AA-69	Control Lever, Rod and Chain	\$24.00
4	AA-73	Adjusting Nut	\$0.50
5	AA-22	Bolt	\$0.50
6	AA-24	Lock Washer	\$0.50
7	AA-23-Complete	Handle Bracket Assembly, (Incl. Items 8 through 11)	\$49.00
8	AA-11	Pin	\$2.00
9	AA-12	Roll Pin	\$0.50
10	AA-10	Bushing	\$4.00
11	AA-09	Roller	\$9.70
12	AA-21	Pin	\$12.00
13	AA-20	Roll Pin	\$0.50
14	AA-14	Plug	\$8.00
15	A AA-41	O-Ring	\$4.00
16	A AA-15	Spring	\$2.00
17	AA-16	Valve Cone	\$8.00
18	AA-17	Valve Cone Housing	\$14.50
19	A AA-18	O-Ring	\$5.00
20	A AA-19	Ball	\$1.00
21	Not Available	Plug (Not To Be Removed)	Not Available
22	Not Available	Plug (Not To Be Removed)	Not Available

Item	Part No.	Description	List Price
23	A AA-31	Spring	\$5.00
24	A AA-32	O-Ring	\$4.00
25	AA-34	Plunger	\$12.00
26	AA-35	Release Lever	\$12.00
27	AA-27	Clip Pin	\$1.00
28	AA-26	Pin	\$5.00
29	AA-38	Magnet	\$12.00
30	A AA-43	U-Cup	\$12.00
31	A AA-40	O-Ring	\$5.00
32	A AA-37	Scraper	\$10.00
33	AA-45	Ram	\$49.00
34	AA-44	Ball	\$3.00
35	AA-02.3	Piston	\$30.00
36	AA-03.3	Washer	\$3.00
37	AA-04	Spring	\$8.00
38	A AA-05.3	Scraper	\$6.00
39	A AA-06.3	O-Ring	\$3.00
40	A AA-07.3	U-Cup	\$6.00
41	AA-25	Filler Plug	\$10.00
KITS	A AA-76-5000	Seal Kit	\$32.00
	HU PU AA5000	Rebuilt Hydraulic Unit - Exchange	*\$139.00

Complete Wheel Kit

