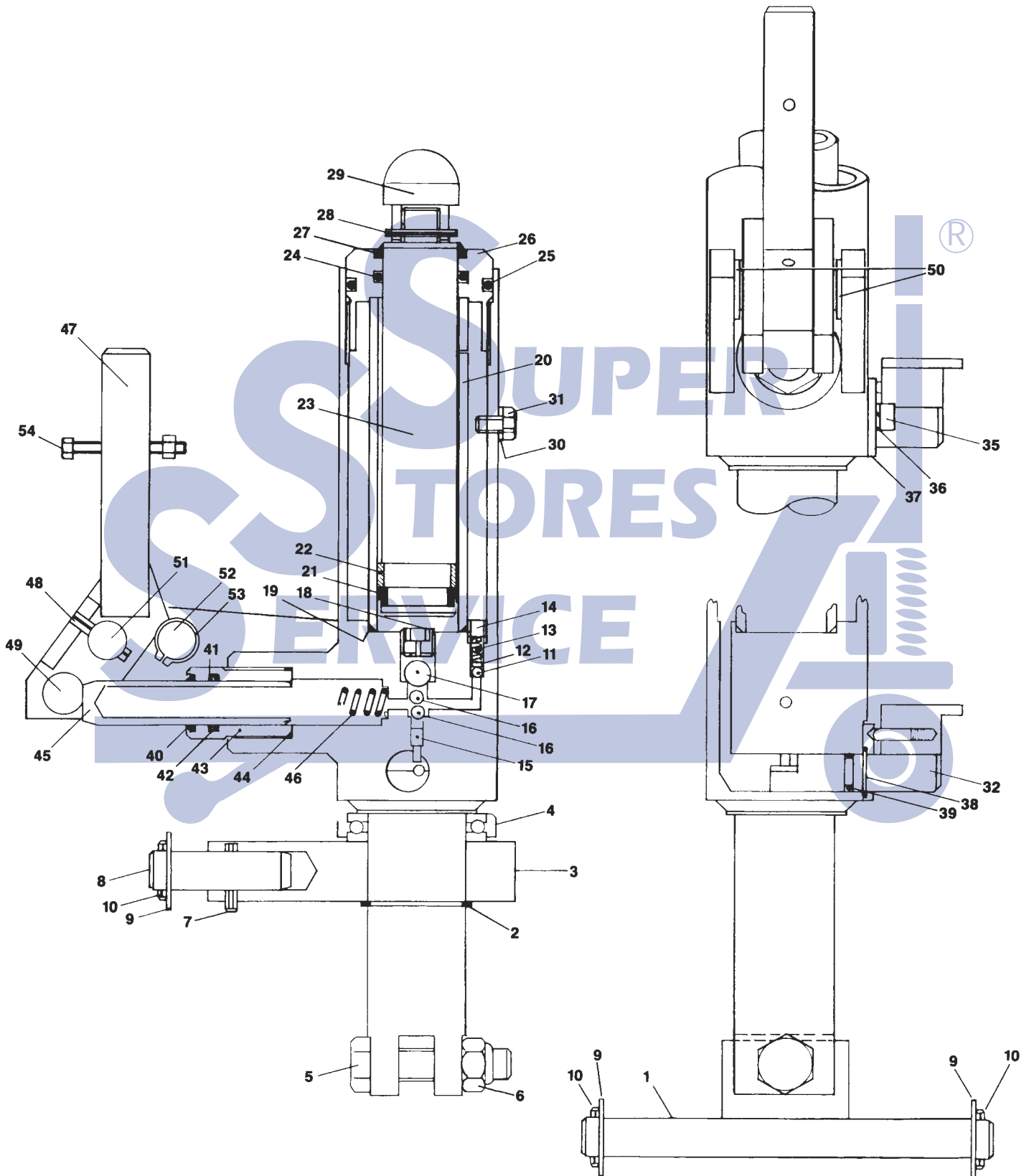


# Palletmaster HSW Hydraulic Unit



# Palletmaster HSW Hydraulic Unit

Item	Part No.	Description	List Price
1	A1	Steer Wheel Axle	\$12.00
2	A2	Snap Ring	\$1.00
3	A3	Traverse	\$40.00
4	A4	Traverse Bearing	\$14.00
5	A5	Bolt	\$1.00
6	A6	Nut	\$0.50
7	A7	Roll Pin	\$0.50
8	A8	Pin	\$6.00
9	A9	Washer	\$0.50
10	A11	Roll Pin	\$0.50
11	A L1	Ball	\$1.50
12	Not Available	Insert (No Longer Needed)	Not Available
13	A L2	Spring	\$5.00
14	L3	Relief Valve	\$5.00
15	A L4	Release Pin	\$7.00
16	A L5	Ball	\$2.00
17	A L6	Ball	\$1.00
18	L7	Flow Valve	\$12.00
19	A B L8	O-Ring	\$1.50
20	L9	Sleeve	\$35.00
21	A B L10	U-Cup	\$9.00
22	A L11	Bushing	\$6.00
23	L12	Ram (Older Style, Serial #00043 and Lower)	Not Available
	L12A	Ram	\$42.00
24	A B L13	O-Ring	\$6.00
25	A B L14	O-Ring	\$2.50
26	L15	Top Nut	\$39.50
27	A B L16	Scraper	\$4.00
28	L17	Roll Pin	\$0.50
29	L18	Top Pivot (Older Style, Serial #00043 and Lower)	Not Available

Item	Part No.	Description	List Price
30	A B L19	Washer	\$2.00
31	L20	Filler Plug	\$0.50
32	F1	Foot Pedal	\$25.00
35	F4	Bolt, 3/8"	\$1.00
	F4-5	Bolt, 5/16"	\$0.50
36	F5	Lock Washer	\$0.50
	F5-5	Lock Washer	\$0.50
37	F6	Detent Plate, 3/8"	\$4.00
	F6-5	Detent Plate, 5/16"	\$7.00
38	F7	Snap Ring	\$0.50
39	A B F8	O-Ring	\$1.00
40	A B P1	Scraper	\$4.00
41	A B P2	Back-Up Ring	\$4.00
42	A B P3	O-Ring	\$5.00
43	P4	Sleeve	\$24.00
44	A B P5	O-Ring	\$1.00
45	A P6	Piston	\$18.00
46	A B P7	Spring	\$5.00
47	P8	Handle Bracket	*\$55.00
48	P9	Roll Pin	\$0.50
49	P10	Roller	\$10.00
50	A B P11	Bushing	\$1.00
51	P12	Pin	\$10.00
52	P13	Stop Shaft	\$6.00
53	P14	Snap Ring	\$1.00
54	01.23	Handle Bolt and Nut	\$1.00
KITS	A HSW-SUPER	Super Seal Kit	\$49.00
KITS	B HSW	Seal Kit	\$32.00
	HU PM HSW	Rebuilt Hydraulic Unit - Exchange	*\$139.00