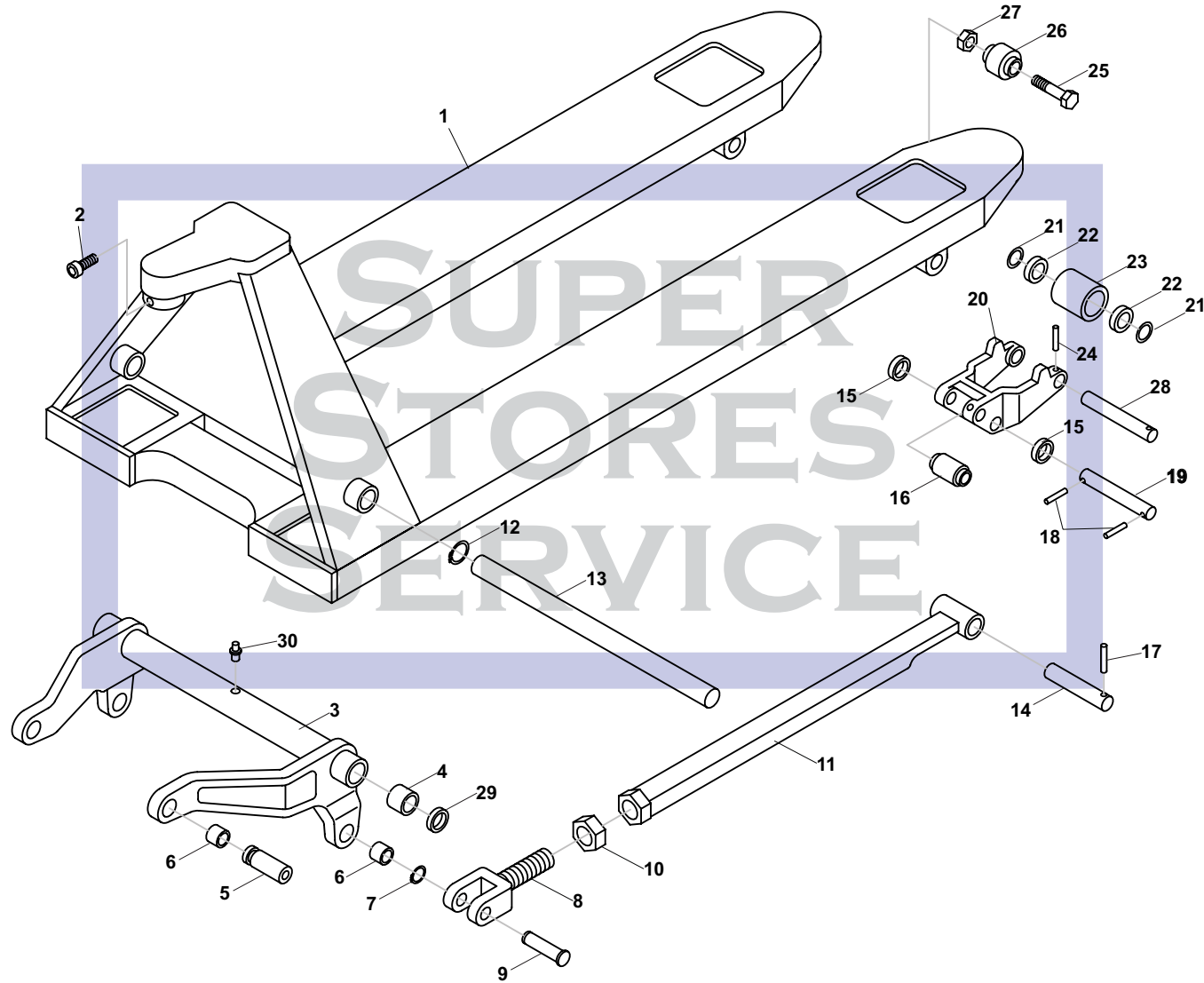


# Uline H-2708, H-2900, H-3045 Frame



# Uline H-2708, H-2900, H-3045 Frame

Item	Part No.	Description
1	H-2708-AC201	Frame
2	H-2708-AC202	Bolt
3	H-2708-AC203	Lifting Link, 27" Wide Frame
4	H-2708-AC204	Bushing
5	H-2708-AC205	Pin
6	H-2708-AC206	Bushing
7	H-2708-AC208	Retaining Ring
8	H-2708-AC209	Joint
9	H-2708-AC210	Pin
10	H-2708-AC211	Nut
11	H-2708-AC212	Push Rod, 48" Forks
12	H-2708-AC213	Snap Ring
13	H-2708-AC214	Long Shaft
14	H-2708-AC216	Shaft
15	H-2708-AC217	Exit Roller Ring
16	H-2708-AC218	Exit Roller
17	H-2708-AC219	Spring Pin

Item	Part No.	Description
18	H-2708-AC220	Spring Pin
19	H-2708-AC221	Pivot Shaft
20	H-2708-AC222	Load Wheel Bracket
21	H-2708-AC225	Washer
22	H-2708-AC226	Bearing
23	H-2708-AC234	Load Roller Assembly, Black Ultra Poly on Steel
	H-2708-AC234-N	Load Roller Assembly, Nylon
	H-2708-AC234-S	Load Roller Assembly, Solid Steel
	GWK-2708-LW	Load Wheel Kit, (2) Black Ultra Poly Roller Assemblies W/Bearings, Axles and Fasteners
24	H-2708-AC230	Spring Pin
25	H-2708-AC231	Bolt
26	H-2708-AC232	Entry Roller
27	H-2708-AC233	Locking Nut
28	H-2708-AC235	Load Wheel Axle
29	H-2708-AC236	Washer
30	H-2708-AC237	Lube Fitting

## Load Wheel Kit

