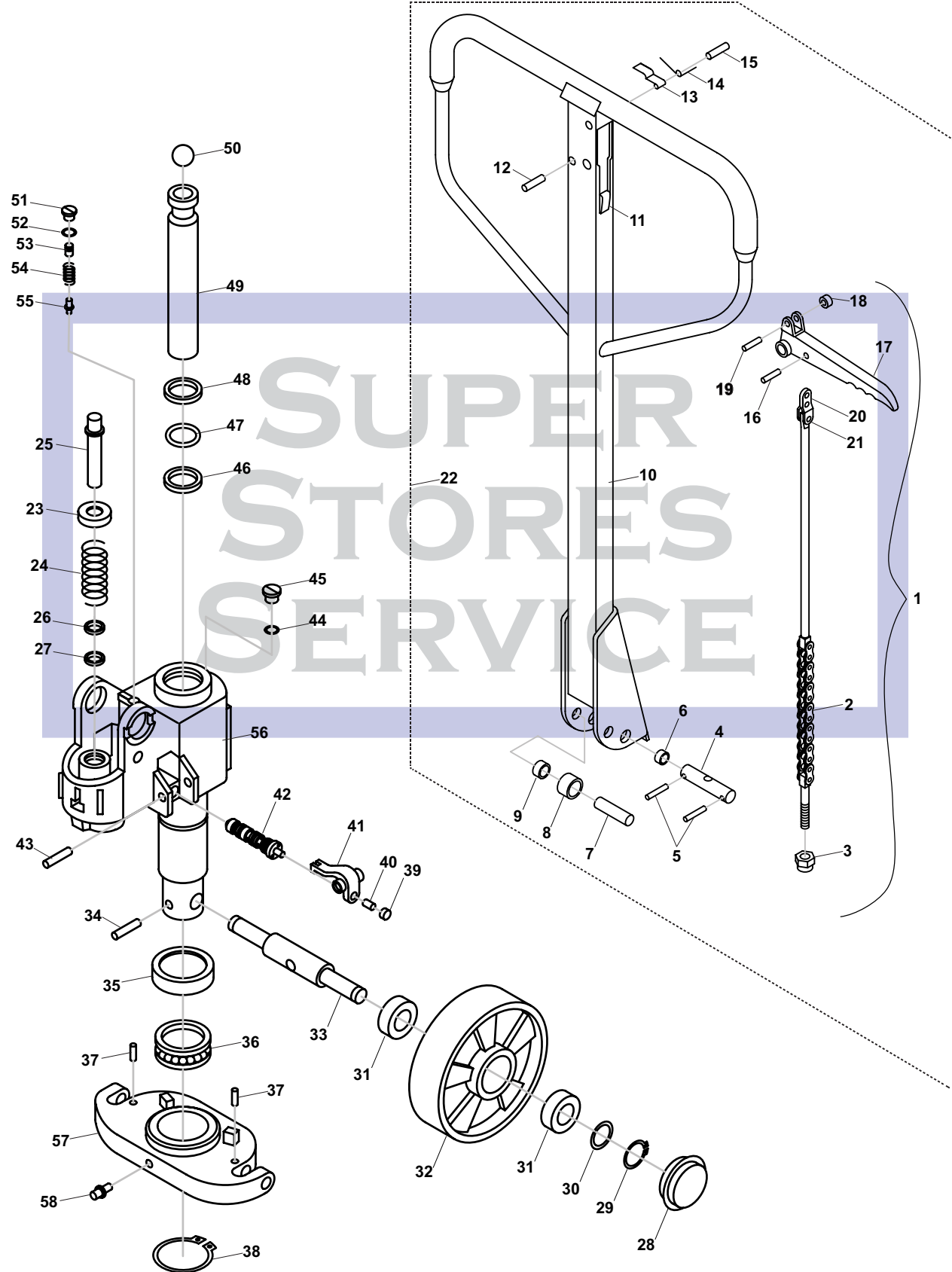


# Uline H-2708, H-2900, H-3045 Hydr. Unit



# Uline H-2708, H-2900, H-3045 Hydr. Unit

Item	Part No.	Description
1	H-2708-AC101-A	Control Rod Assembly Includes 2, 3, 16-21
2	H-2708-AC102	Chain & Adjustment Bolt
3	H-2708-AC104	Adjustment Nut
4	H-2708-AC105	Handle Axle
5	H-2708-AC106	Spring Pin
6	H-2708-AC107	Bushing
7	H-2708-AC108	Roller Pin
8	H-2708-AC109	Pressure Roller
9	H-2708-AC109A	Bushings
10	H-2708-AC110	Handle Frame
11	H-2708-AC111	Rubber Stop
12	H-2708-AC112	Spring Pin
13	H-2708-AC113	Blade Spring
14	H-2708-AC114	Spring
15	H-2708-AC115	Spring Pin
16	H-2708-AC116	Spring Pin
17	H-2708-AC117	Control Handle
18	H-2708-AC118	Roller
19	H-2708-AC119	Spring Pin
20	H-2708-AC121	Pivot Hinge
21	H-2708-AC122	Pin
22	H-2708-AC110	Handle Assembly Complete, Includes 1-21
23	H-2708-AC301	Spring Cap
24	H-2708-AC302	Spring
25	H-2708-AC303	Pump Piston
26	A H-2708-AC304	Wiper
27	A H-2708-AC305	U-Cup
28	H-2708-AC306	Hub Cap
29	H-2708-AC307	Snap Ring
30	H-2708-AC308	Washer
31	H-2708-AC309	Bearing
32	H-2708-AC310	Steer Wheel Assembly, Poly on Nylon Hub W/ Bearings
	H-2708-AC310-N	Steer Wheel Assembly, Solid Nylon W/ Bearings
	H-2708-AC310-HD	Steer Wheel Assembly, Red Ultra-Poly on Aluminum Hub W/ Bearings
	H-2708-AC310-S	Steer Wheel Assembly, Solid Steel W/ Bearings
	GWK-2708-CK	Complete Wheel Kit, Poly on Nylon SW's Poly on Steel Load Wheels W/Bearings Axles and Fasteners
33	H-2708-AC316	Steer Wheel Axle
34	H-2708-AC311	Spring Pin
35	H-2708-AC337	Bearing Cover

Item	Part No.	Description
36	H-2708-AC315	Thrust Bearing
37	H-2708-AC312	Spring Pin
38	H-2708-AC314	Snap Ring
39	H-2708-AC317	Nut
40	H-2708-AC318	Adjustment Screw
41	H-2708-AC319	Lever Plate
42	H-2708-AC321	Valve Cartridge
43	H-2708-AC320	Spring Pin
44	A H-2708-AC323	Seal Washer
45	H-2708-AC324	Screw Plug
46	A H-2708-AC325	U-Cup
47	A H-2708-AC326	O-Ring
48	A H-2708-AC327	Wiper
49	H-2708-AC328	Lift Piston
50	H-2708-AC329	Ball
51	H-2708-AC330	Screw Plug
52	A H-2708-AC331	O-Ring
53	H-2708-AC332	Adjustment Screw
54	H-2708-AC333	Spring
55	H-2708-AC334	Overload Valve
56	H-2708-AP100	Hydraulic Unit Complete
57	H-2708-AC313	Traverse Plate
58	H-2708-AC335	Lube Fitting
Kits A	H-2708-AK100	Seal Kit

### Complete Wheel Kit

